

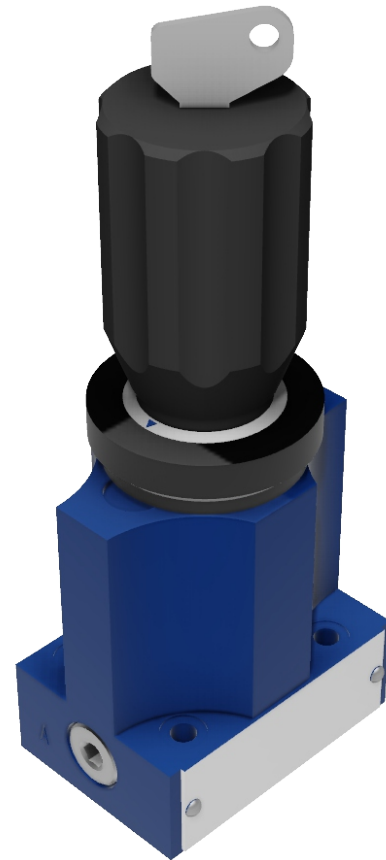


VALVOLE DI FLUSSO

**2FRM6**

FLOW CONTROL VALVES

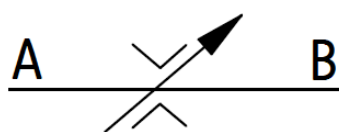
2FRM6 SERIES ARE RESTRICTIVE FLOW REGULATORS, WITHOUT AFFECTED BY PRESSURE AND TEMPERATURE. THIS VALVES MAY BE MOUNTED IN A HYDRAULIC CIRCUIT IN ANY POSITION.



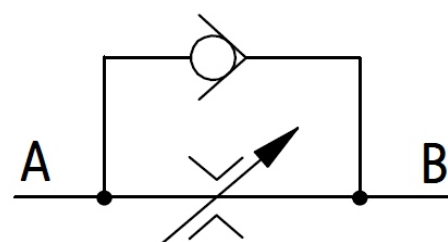
**TECHNICAL DATA**

SIZE	6
MAX. FLOW RATE (L/MIN)	25
OPERATING PRESSURE (MPA)	31.5
FLUID TEMPERATURE (°C)	-20 - 70
FILTRATION ACCURACY (µM)	25 (Q<5 L/MIN); 10 (Q<0.5 L/MIN)
WEIGHT (KG)	1.4
VALVE BODY (MATERIAL)	CASTING PHOSPHATING SURFACE

**SCHEMES**



2FRM6...M



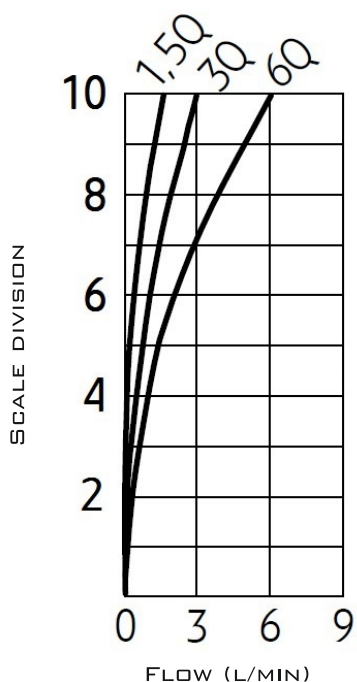
2FRM6...R



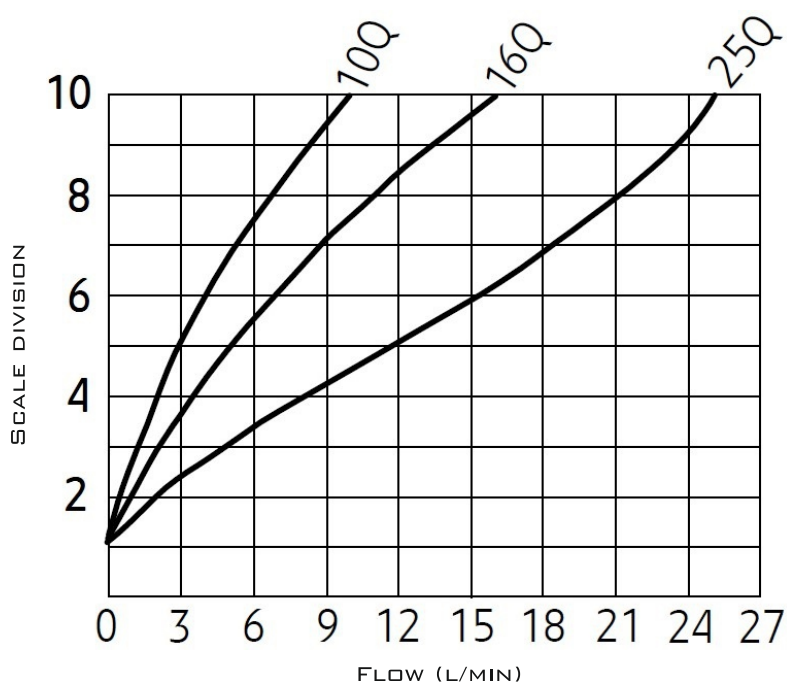
## CHARACTERISTIC CURVES

CHARACTERISTIC CURVES OF FLOW RELATION TO HANDKNOB POSITION ON SCALE FOR FLOW CONTROL VALVES WITH DIFFERENT SETTABLE FLOW RANGES

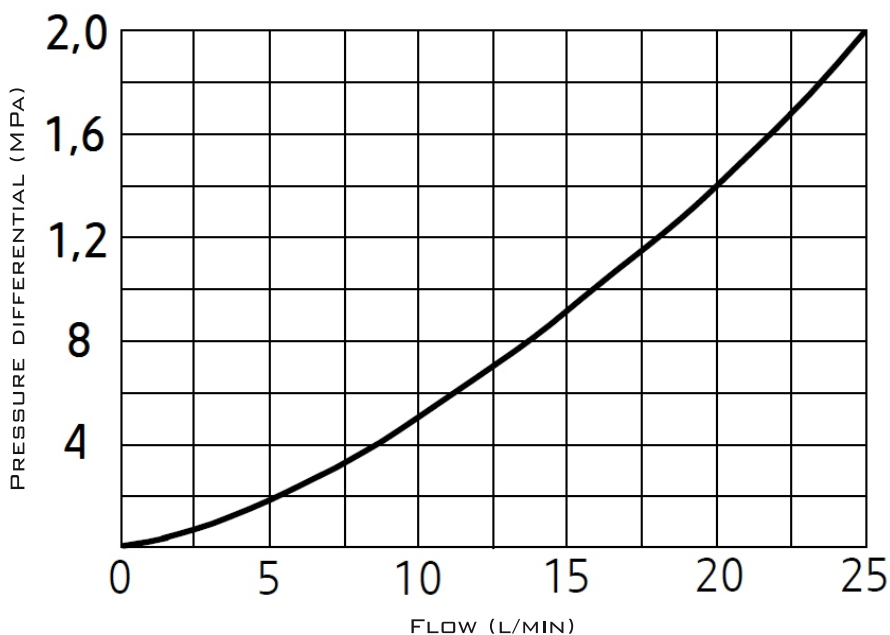
FLOW DIRECTION A → B



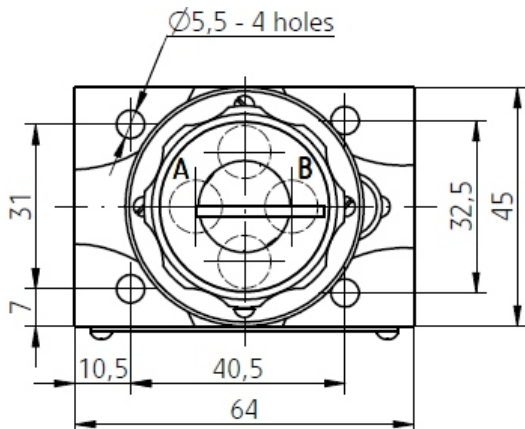
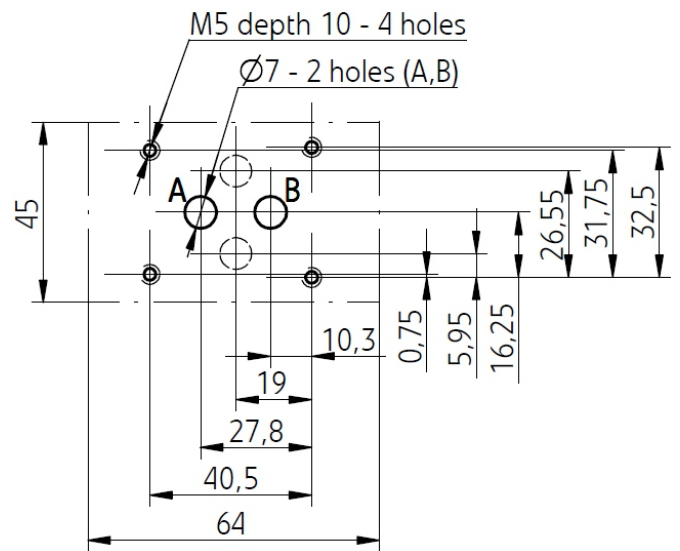
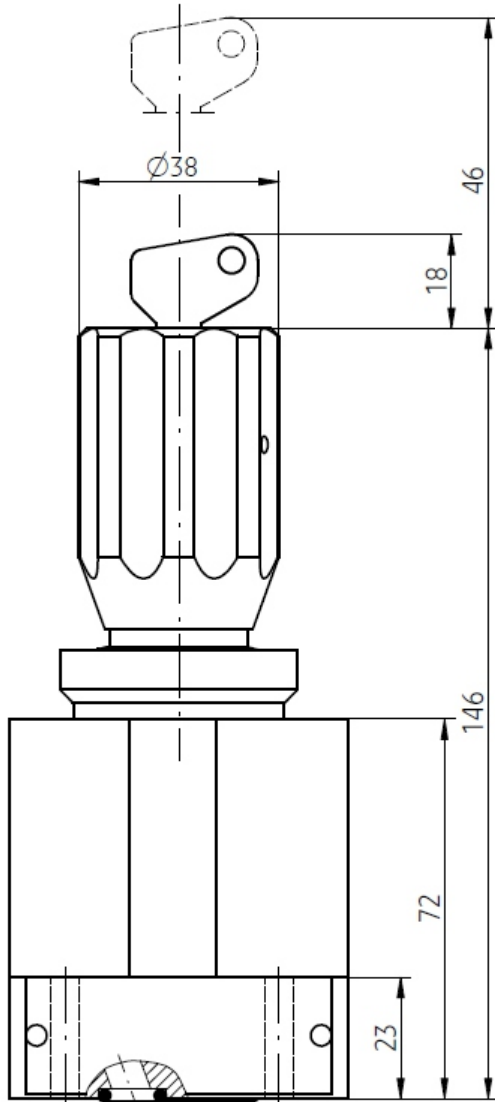
FLOW DIRECTION A → B



FLOW RESISTANCE THROUGH CHECK VALVE - 2FRM6...R  
FLOW DIRECTION B → A



**SUBPLATE INSTALLATION DIMENSIONS**



# 2FRM6

VALVOLE DI FLUSSO



FLOW CONTROL VALVES

## ORDER CODE

2FRM	6			6						
------	---	--	--	---	--	--	--	--	--	--

6=6 SIZE

A=WITH EXTERNAL SWITCH OF PRESSURE COMPENSATION (RESTRAIN THROB WHEN START)  
B=WITHOUT EXTERNAL SWITCH OF PRESSURE COMPENSATION

3=SCALE KNOB CAN BE LOCKED  
7=WITH SCALE KNOB

6=WHEN SCALE IS AT 0 POSITION, IT CORRESPONDS TO PORT P

EXPLAIN OTHER DETAILS

NO CODE=NBR SEALS  
V=FKM SEALS

R=WITH CHECK VALVE  
M=WITHOUT CHECK VALVE

1.5Q=TO 1.5 L/MIN  
3Q=TO 3 L/MIN  
6Q=TO 6 L/MIN  
10Q=TO 10 L/MIN  
16Q=TO 16 L/MIN  
25Q=TO 25 L/MIN

20=20 SERIES  
(20-29: SHAPE INTERCHNGEABLE)