

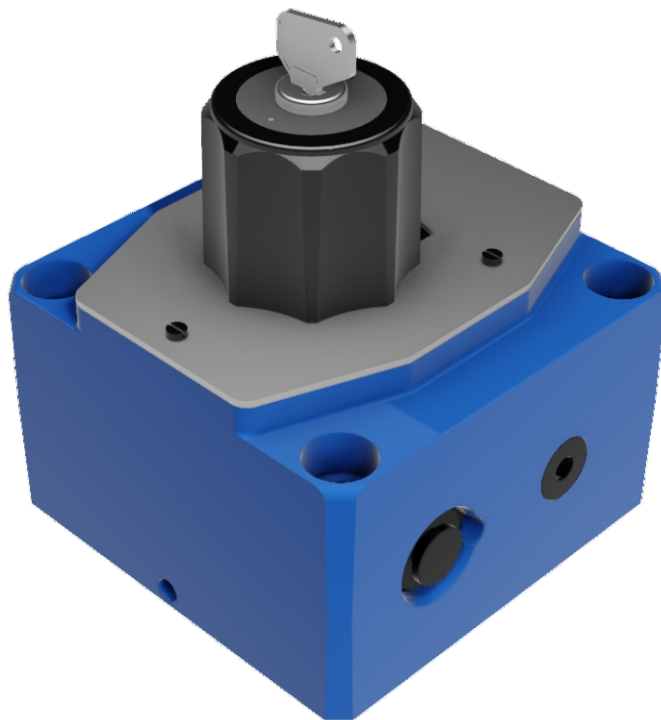


VALVOLE DI FLUSSO

2FRM10,16

FLOW CONTROL VALVES

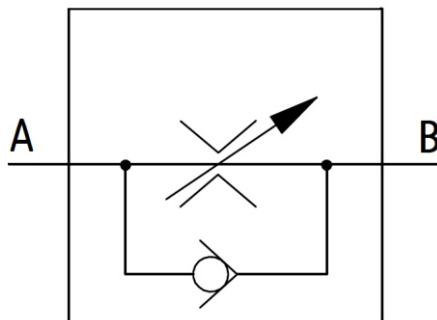
2FRM10 AND 2FRM16 SERIES ARE RESTRICTIVE FLOW REGULATORS, WITHOUT AFFECTED BY PRESSURE AND TEMPERATURE. THIS VALVES MAY BE MOUNTED IN A HYDRAULIC CIRCUIT IN ANY POSITION.



TECHNICAL DATA

| | | |
|--------------------------|----------------------------------|-----|
| SIZE | 10 | 16 |
| MAX. FLOW RATE (L/MIN) | 50 | 160 |
| OPERATING PRESSURE (MPA) | 31.5 | |
| FLUID TEMPERATURE (°C) | -20 - 70 | |
| FILTRATION ACCURACY (µM) | 25 (Q<5 L/MIN); 10 (Q<0.5 L/MIN) | |
| WEIGHT (KG) | 3.4 | 7.6 |
| VALVE BODY (MATERIAL) | CASTING PHOSPHATING SURFACE | |

SCHEMES



2FRM10, 16...

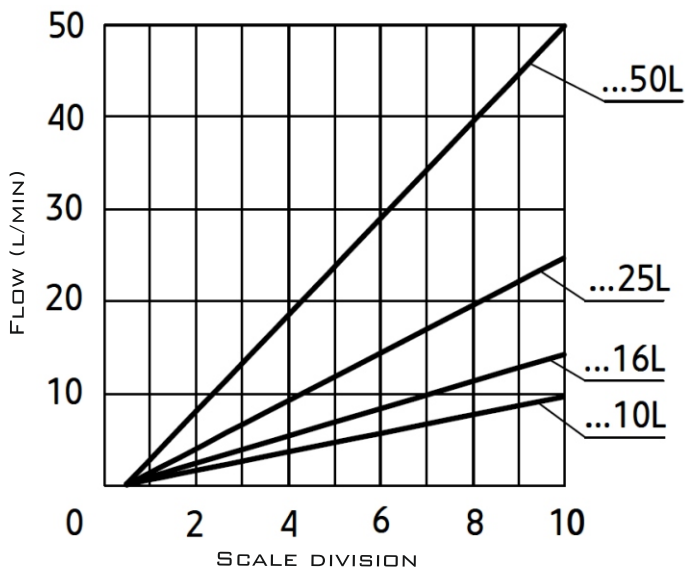


CHARACTERISTIC CURVES

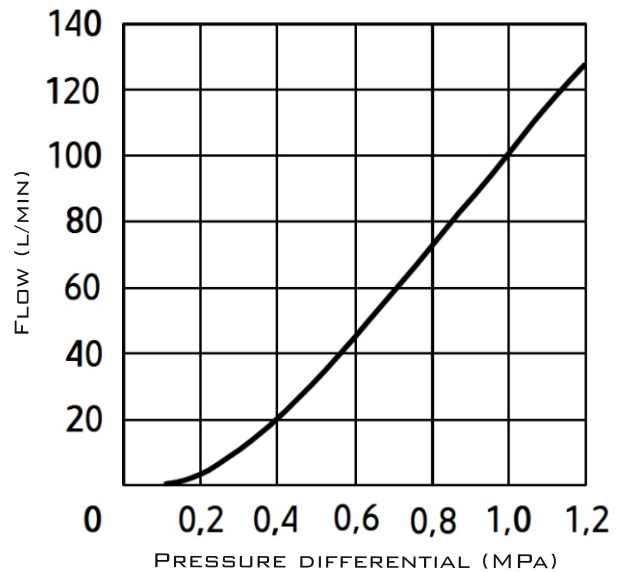
CHARACTERISTIC CURVES OF FLOW RELATION TO HANDKNOB POSITION ON SCALE FOR FLOW CONTROL VALVES WITH DIFFERENT SETTABLE FLOW RANGES

2FRM10

FLOW DIRECTION A → B

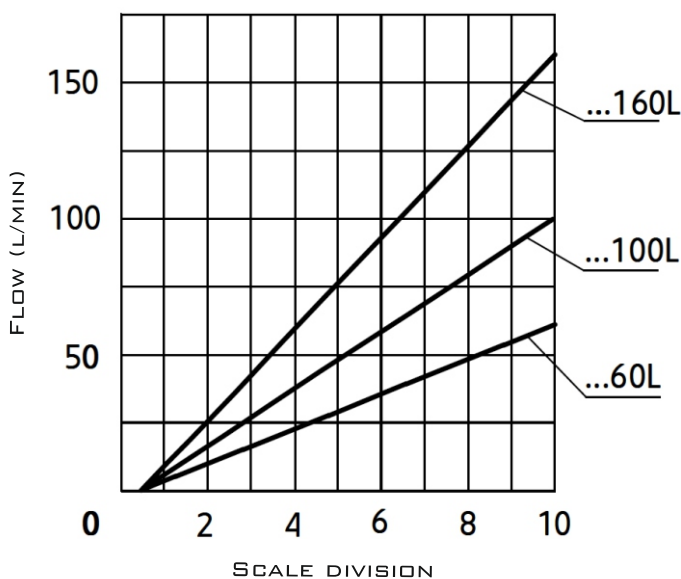


FLOW RESISTANCE THROUGH CHECK VALVE
FLOW DIRECTION B → A

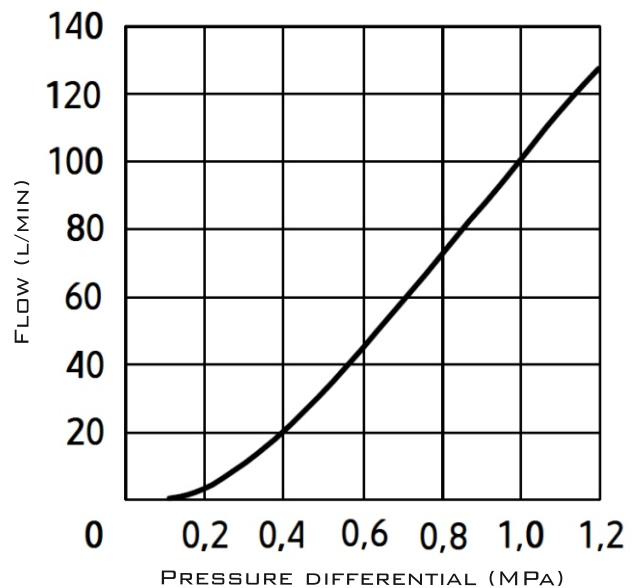


2FRM16

FLOW DIRECTION A → B

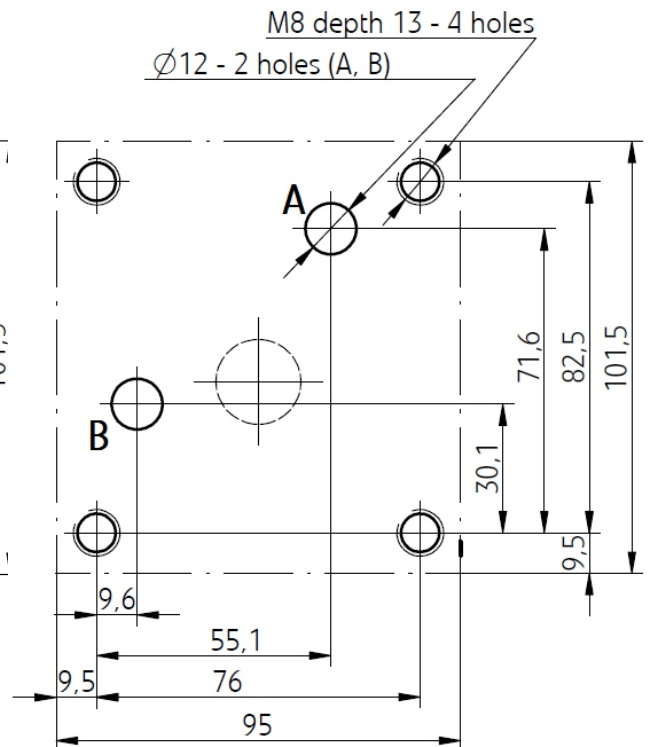
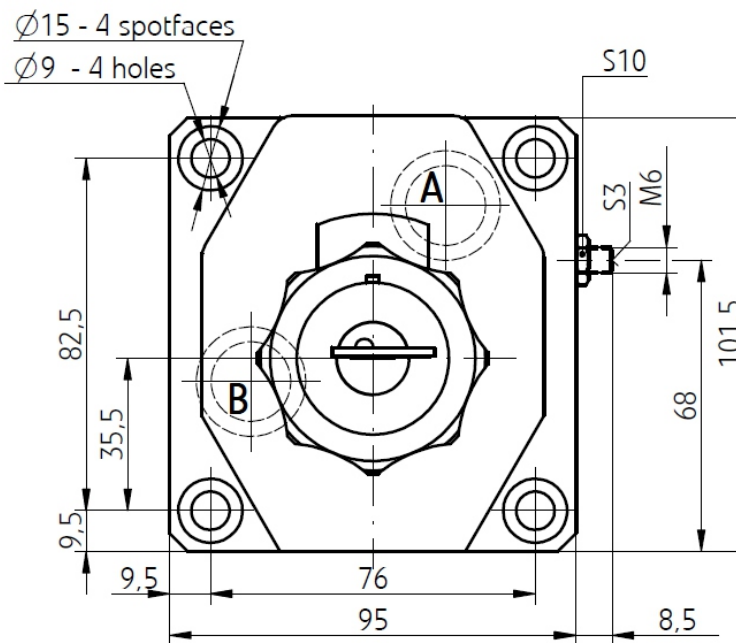
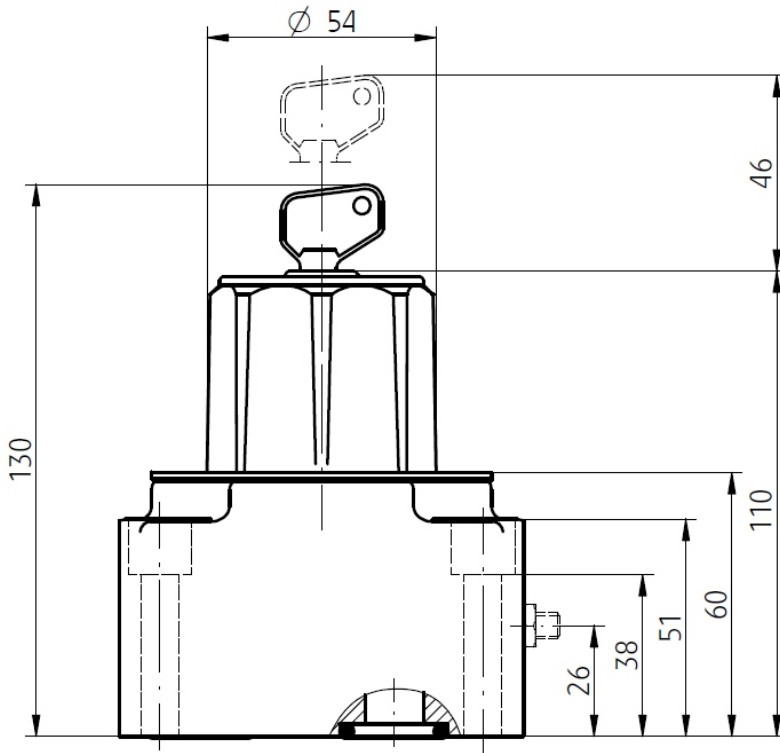


FLOW RESISTANCE THROUGH CHECK VALVE
FLOW DIRECTION B → A

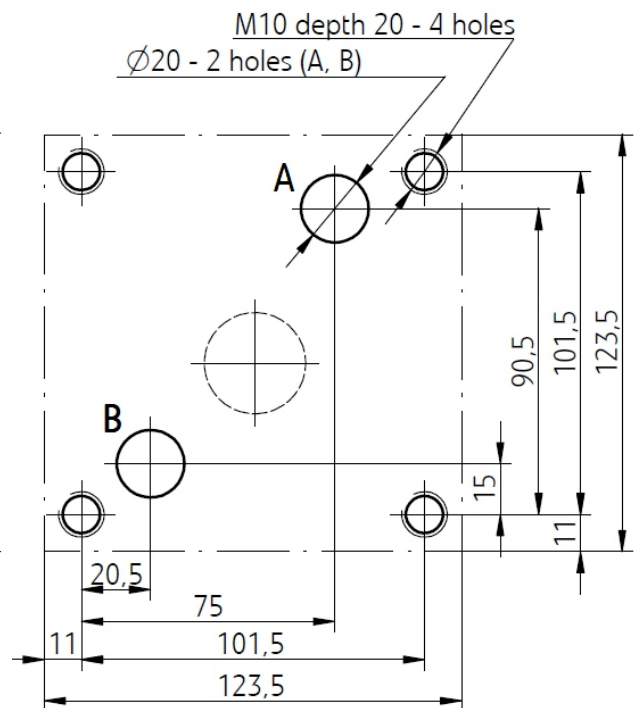
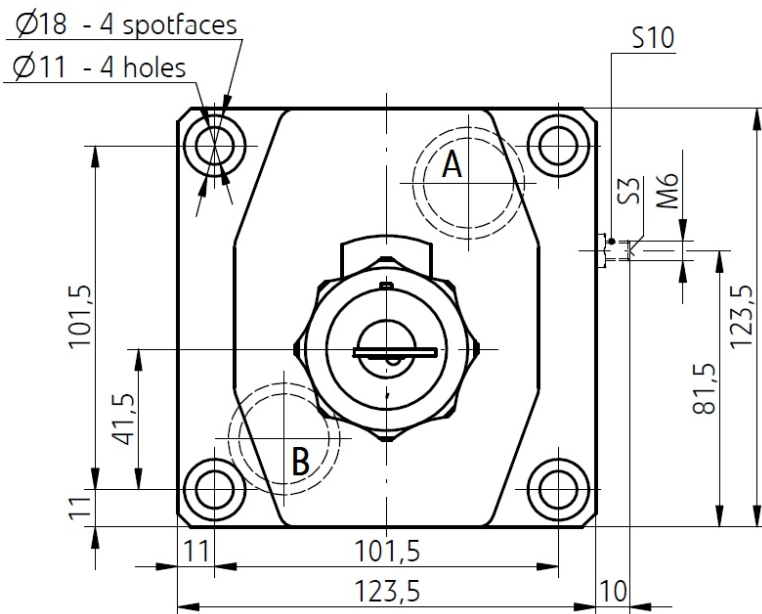
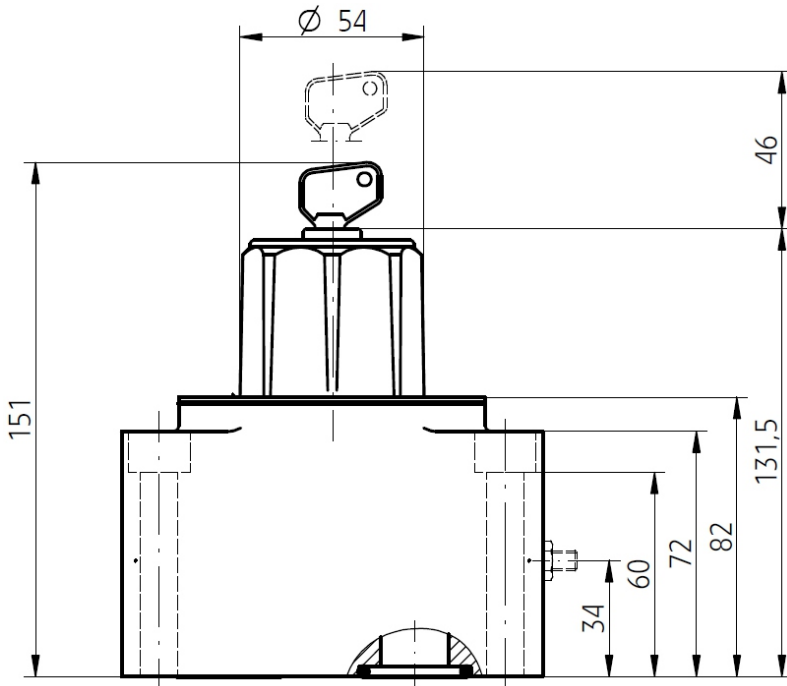




SUBPLATE INSTALLATION DIMENSIONS 2FRM10



SUBPLATE INSTALLATION DIMENSIONS 2FRM16





VALVOLE DI FLUSSO

2FRM10,16

FLOW CONTROL VALVES

ORDER CODE

2FRM

10=10 SIZE
16=16 SIZE

21=21 SERIES
(20-29 UNCHANGED INSTALLATION
AND CONNECTION DIMENSION)

FLOW DIRECTION A → B:

| SIZE 10, LINEARITY | SIZE 16, LINEARITY |
|--------------------|--------------------|
| 2 L/MIN=2L | 40 L/MIN=40L |
| 5 L/MIN=5L | 60 L/MIN=60L |
| 10 L/MIN=10L | 80 L/MIN=80L |
| 16 L/MIN=16L | 100 L/MIN=100L |
| 25 L/MIN=25L | 125 L/MIN=125L |
| 35 L/MIN=35L | 160 L/MIN=160L |
| 50 L/MIN=50L | |

EXPLAIN OTHER DETAILS

NO CODE=MINERAL OIL MEET
DIN 51529 AND 51525
V=ORGANIC PHOSPHATE

NO CODE=WITHOUT PRESSURE
COMPENSATION LIMIT
B=WITH PRESSURE
COMPENSATION LIMIT