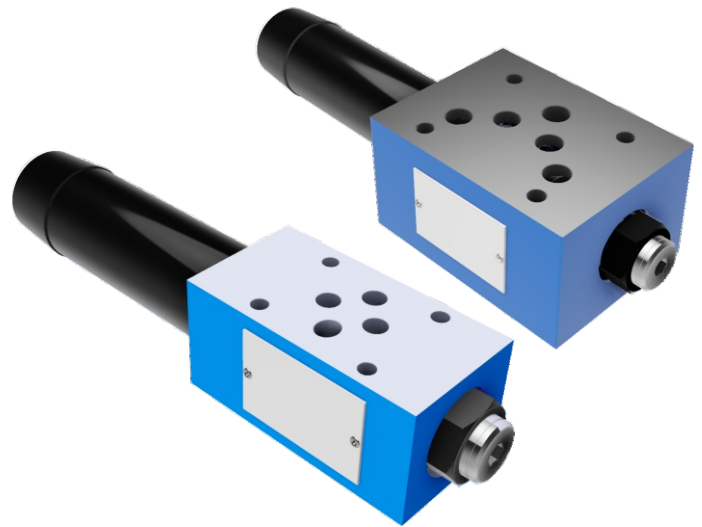




ZDR SERIES ARE 3-WAY DIRECT OPERATED PRESSURE REDUCING VALVES, WHICH ARE USED TO REDUCE THE PRESSURE IN A CERTAIN CIRCUIT LOWER THAN OF THE MAIN CIRCUIT.

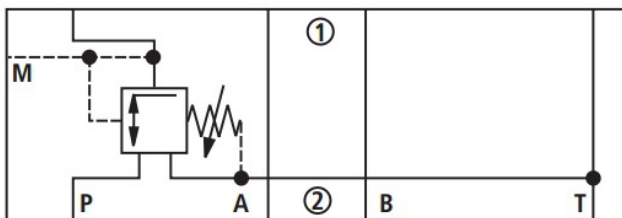


TECHNICAL DATA

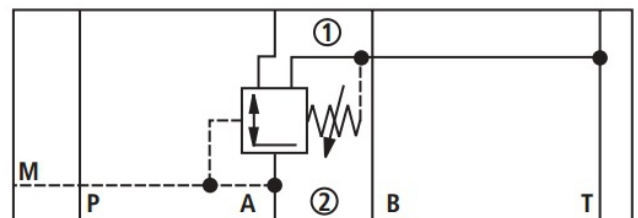
SIZE	6	10
OPERATING PRESSURE (MPA)	31.5	31.5
MAX. FLOW RATE (L/MIN)	30	50
FLUID TEMPERATURE (°C)	-20 - 80	-20 - 80
WEIGHT (KG)	1.3	2.8
VALVE BODY (MATERIAL)	CASTING PHOSPHATING SURFACE	

SCHEMES

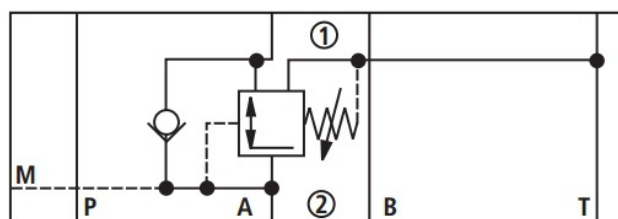
1=COMPONENT SIDE, 2=PLATE SIDE



ZDR 6 DP ... YM



ZDR 6 DB ... YM



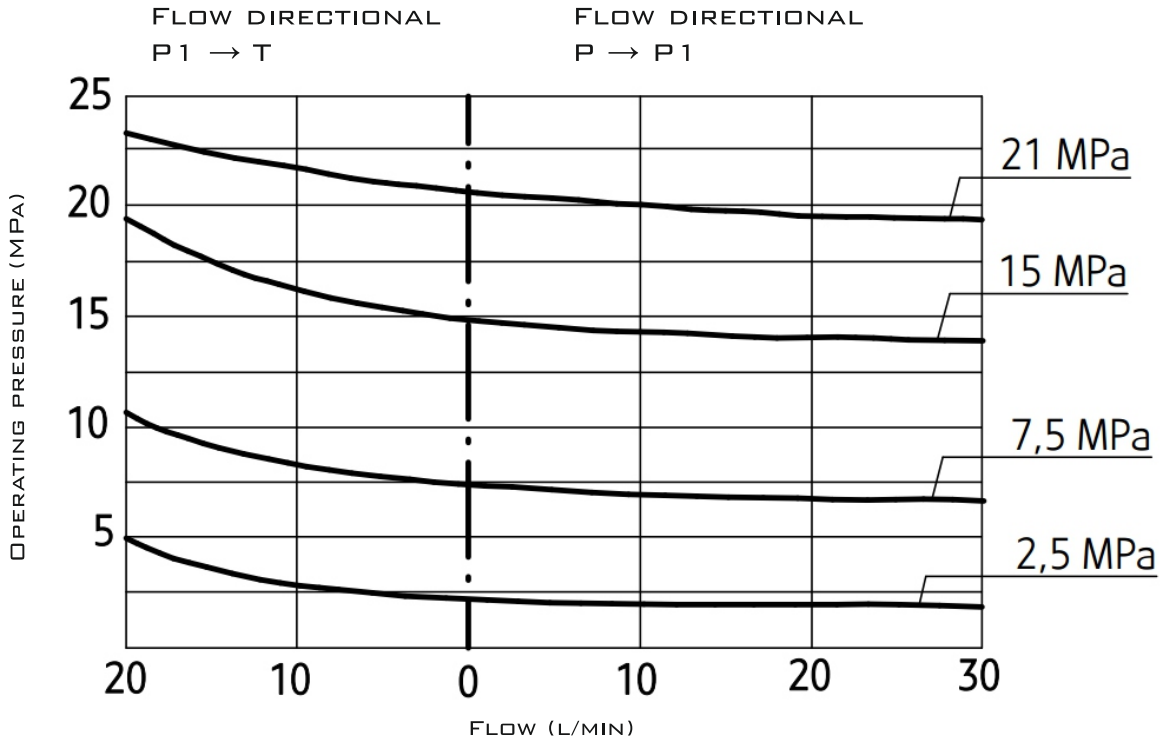
ZDR 6 DB ... Y



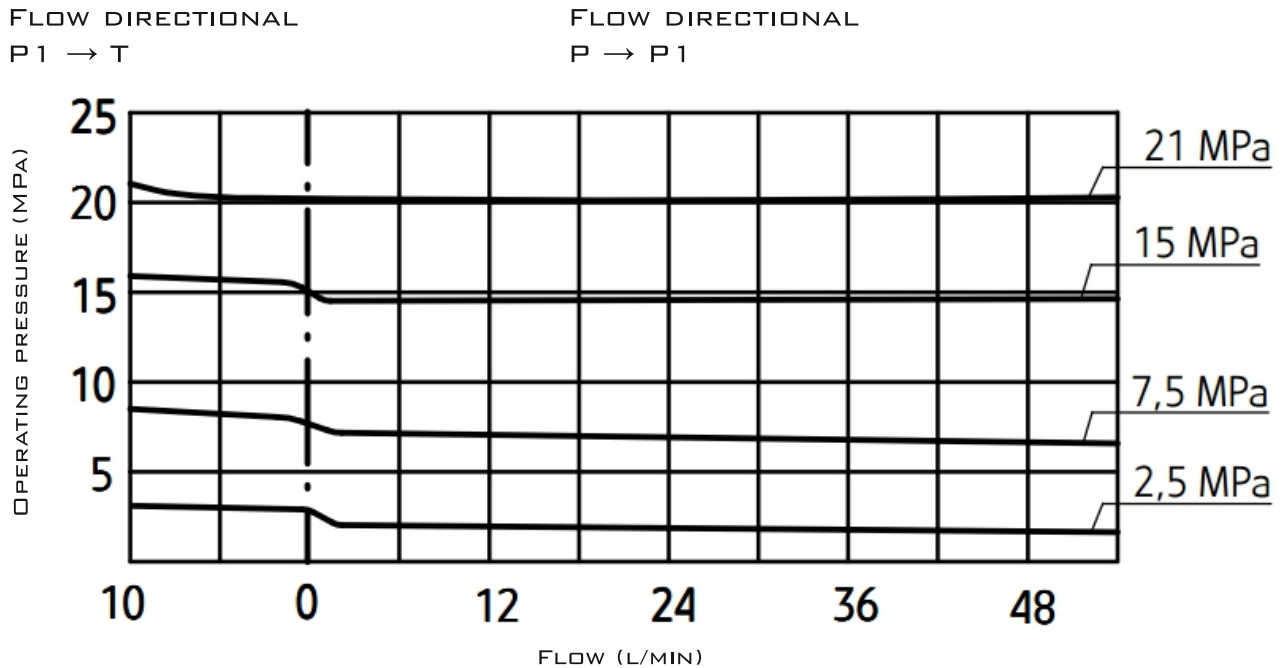
DIRECT MODULAR
REDUCING VALVES

CHARACTERISTIC CURVES

ZDR6

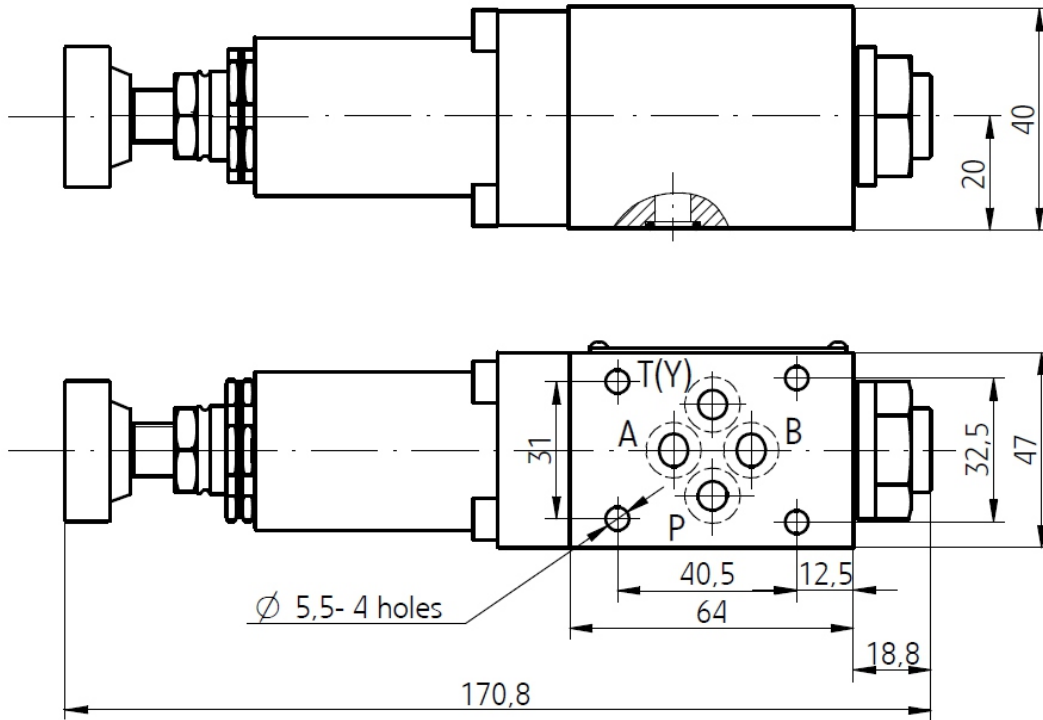


ZDR10

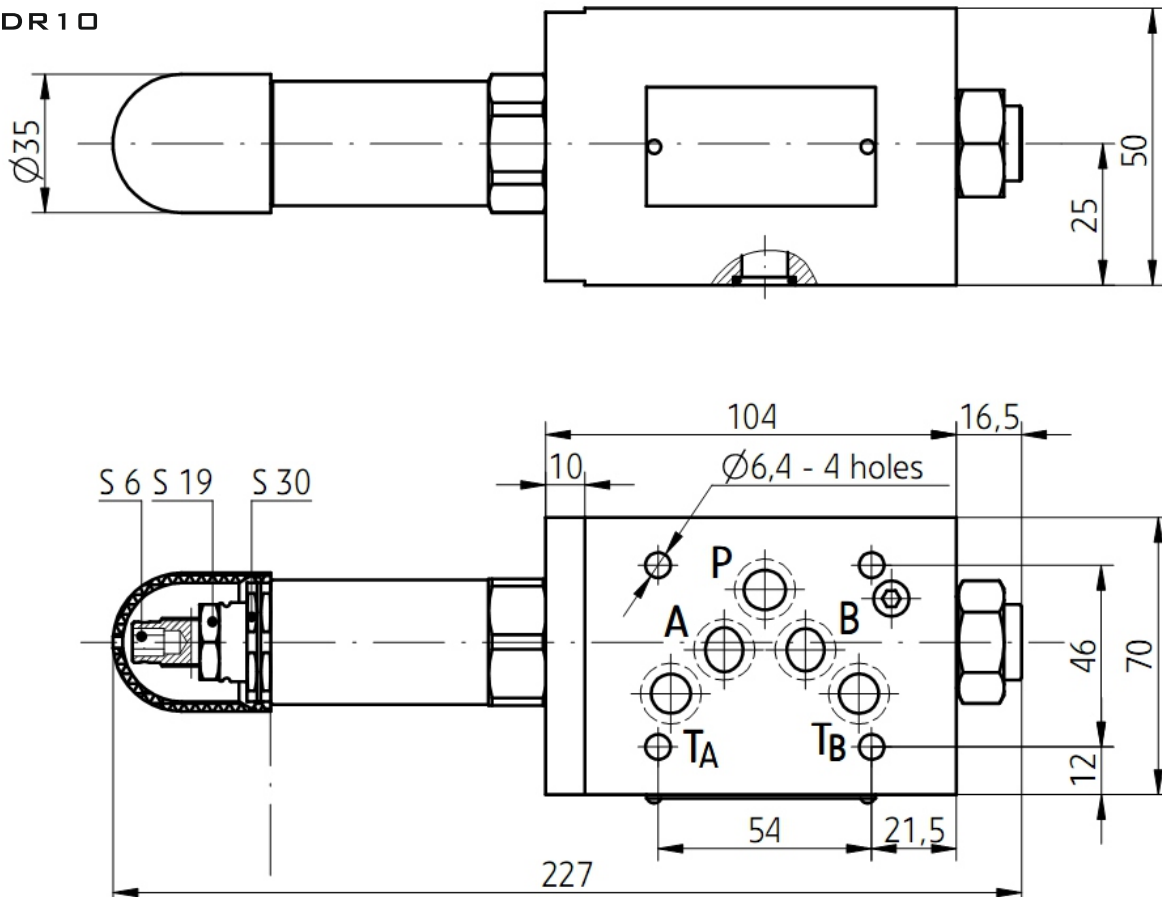


MODULAR INSTALLATION DIMENSIONS

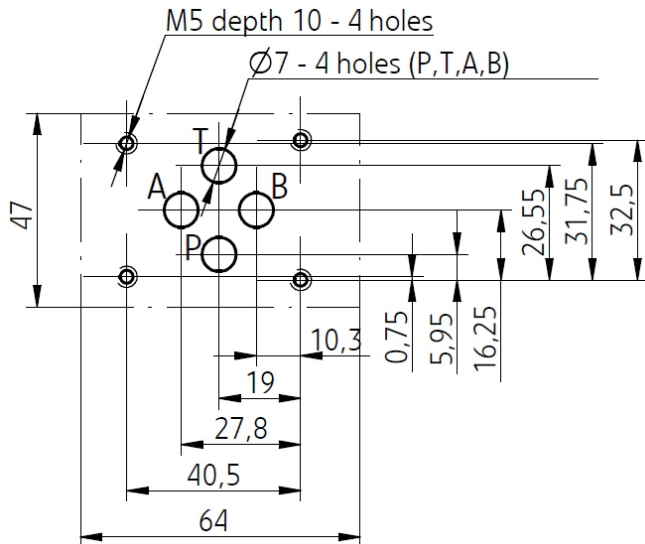
ZDR6



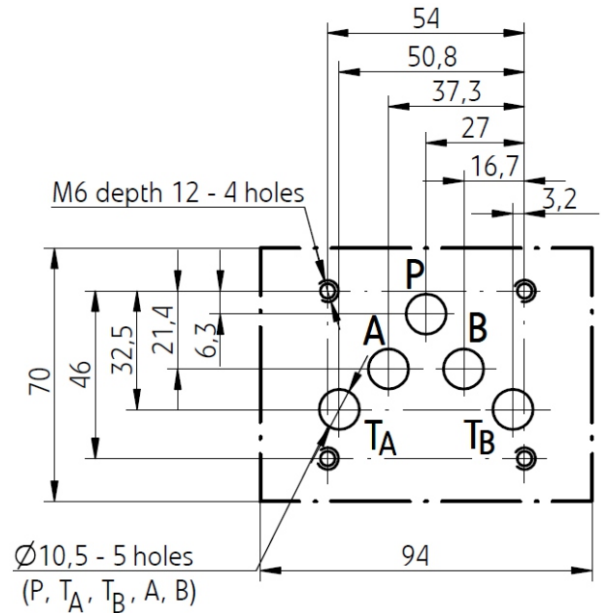
ZDR10



MODULAR INSTALLATION DIMENSIONS - SIZE 6



MODULAR INSTALLATION DIMENSIONS - SIZE 10



ORDER CODE

Z	DR	D								
---	----	---	--	--	--	--	--	--	--	--

Z=MODULAR
MOUNTING

6=6 SIZE
10=10 SIZE

D=DIRECT OPERATED

A=PRESSURE REDUCTION IN
PORT A
P=PRESSURE REDUCTION IN
PORT P

30=30 SERIES (6 SIZE)
40=40 SERIES (10 SIZE)

1=HANDLE
2=ADJUSTING BOLT WITH PROTECT
COVER
3=KNOB WITH HANDLE

NO CODE=NBR SEALS
V=FKM SEALS

NO CODE=CHECK VALVE
M=WITHOUT CHECK VALVE

Y=PILOT OIL INTERNAL SUPPLY
EXTERNAL DRAIN

25=MAX SECONDARY PRESSURE 2.5 MPA
75=MAX SECONDARY PRESSURE 7.5 MPA
150=MAX SECONDARY PRESSURE 15 MPA
210=MAX SECONDARY PRESSURE 21 MPA