

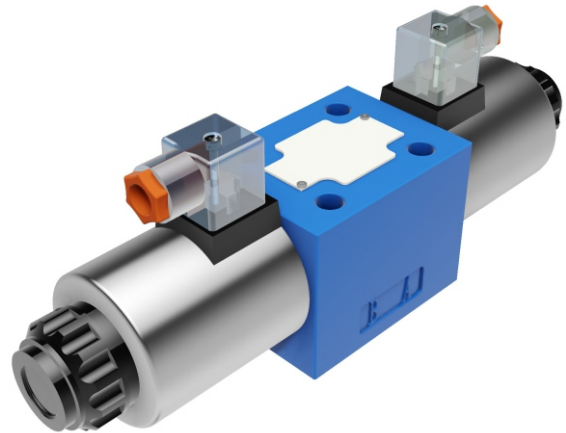


**DISTRIBUTORI
OLEODINAMICI**

WE 10

**SOLENOID OPERATED
DIRECTIONAL CONTROL VALVES**

WE 10 SERIES DIRECTIONAL CONTROL VALVES ARE SOLENOID OPERATED DIRECTIONAL SPOOL VALVES. THESE VALVES ARE USED TO THE START, STOP AND DIRECTION OF FLOW.

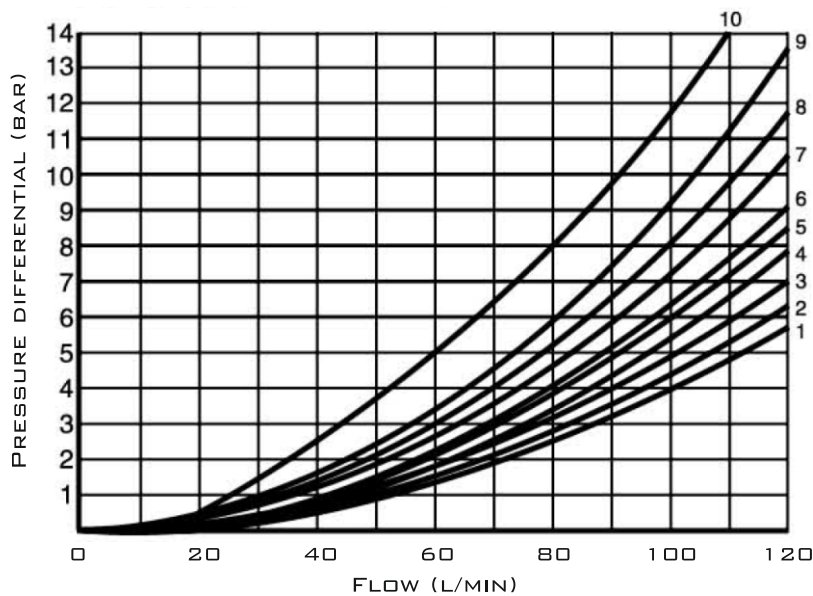


TECHNICAL DATA

SIZE		10
MAX. FLOW RATE (L/MIN)		120
OPERATING PRESSURE (MPA)	A, B, P PORTS	31.5
	T PORT	16
WEIGHT (KG) WITHOUT/WITH HANDLE	1 SOLENOID	4.6
	2 SOLENOIDS	6.4
VALVE BODY (MATERIAL)		CASTING PHOSPHATING SURFACE

CHARACTERISTIC CURVES

$\Delta P-Q$ CHARACTERISTIC CURVES



SPOOL SYMBOL	FLOW DIRECTION			
	P - A	P - B	A - T	B - T
A; B	3	3	-	-
C	3	3	4	5
D; Y	5	5	6	6
E	1	1	4	4
F	2	3	7	4
G	3	3	6	7
H	1	1	6	7
J	1	1	3	3
L	2	2	3	5
M	1	1	4	5
P	4	2	5	7
Q	1	2	1	3
R	3	6	4	-
T	3	3	6	7
U, V	2	2	3	3
W	2	2	4	5

9 CURVE - SPOOL SYMBOL "R" IN SHIFTED POSITION B → A;
 3 CURVE - SPOOL SYMBOL "H" IN CENTRAL POSITION P → T;
 4 CURVE - SPOOL SYMBOL "F" IN CENTRAL POSITION P → A;
 9 CURVE - SPOOL SYMBOL "F" IN CENTRAL POSITION A → T,
 SPOOL SYMBOL "F", "G" AND "T" IN CENTRAL POSITION P → T;

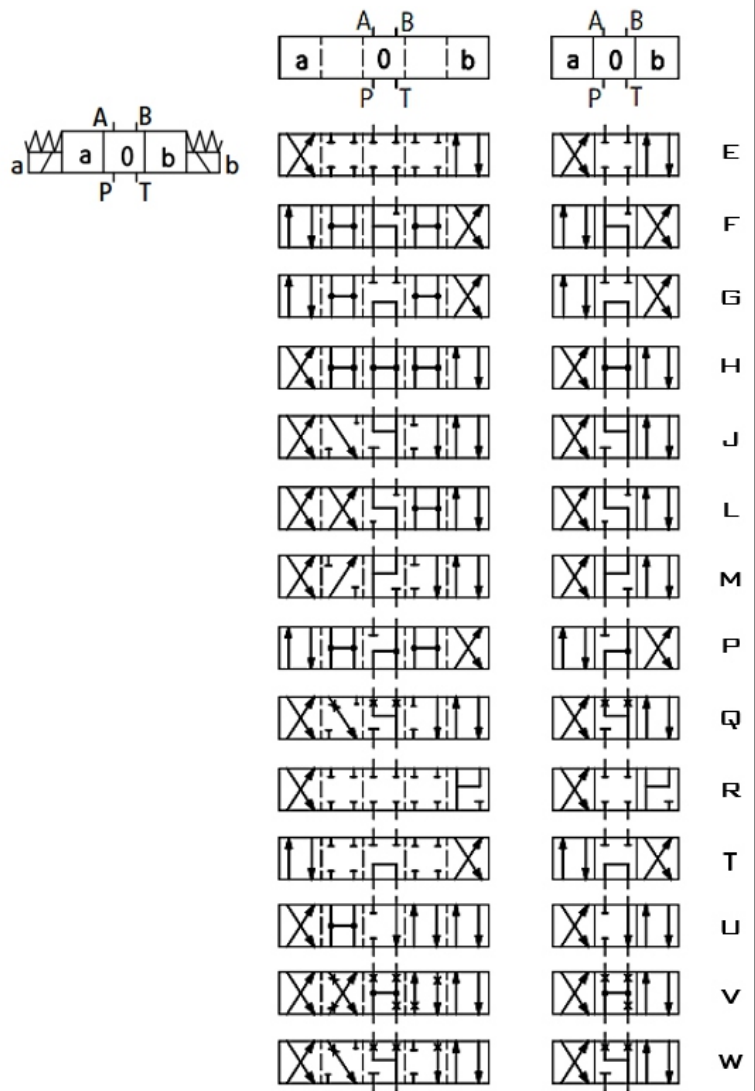
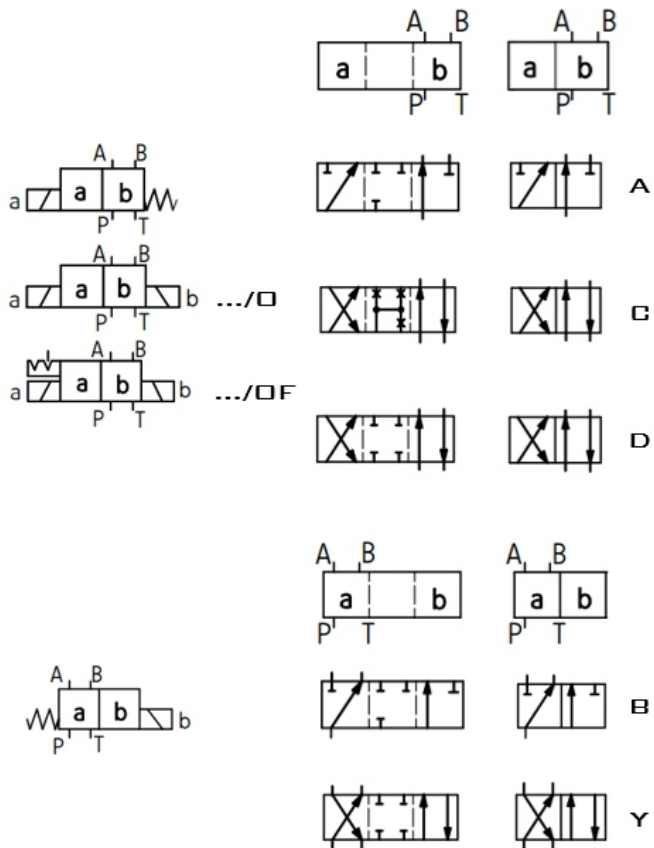
5, 8, 10 CURVES - SPOOL SYMBOL "P" IN CENTRAL POSITION P → B, B → T AND P → T.



SPOOL SYMBOLS

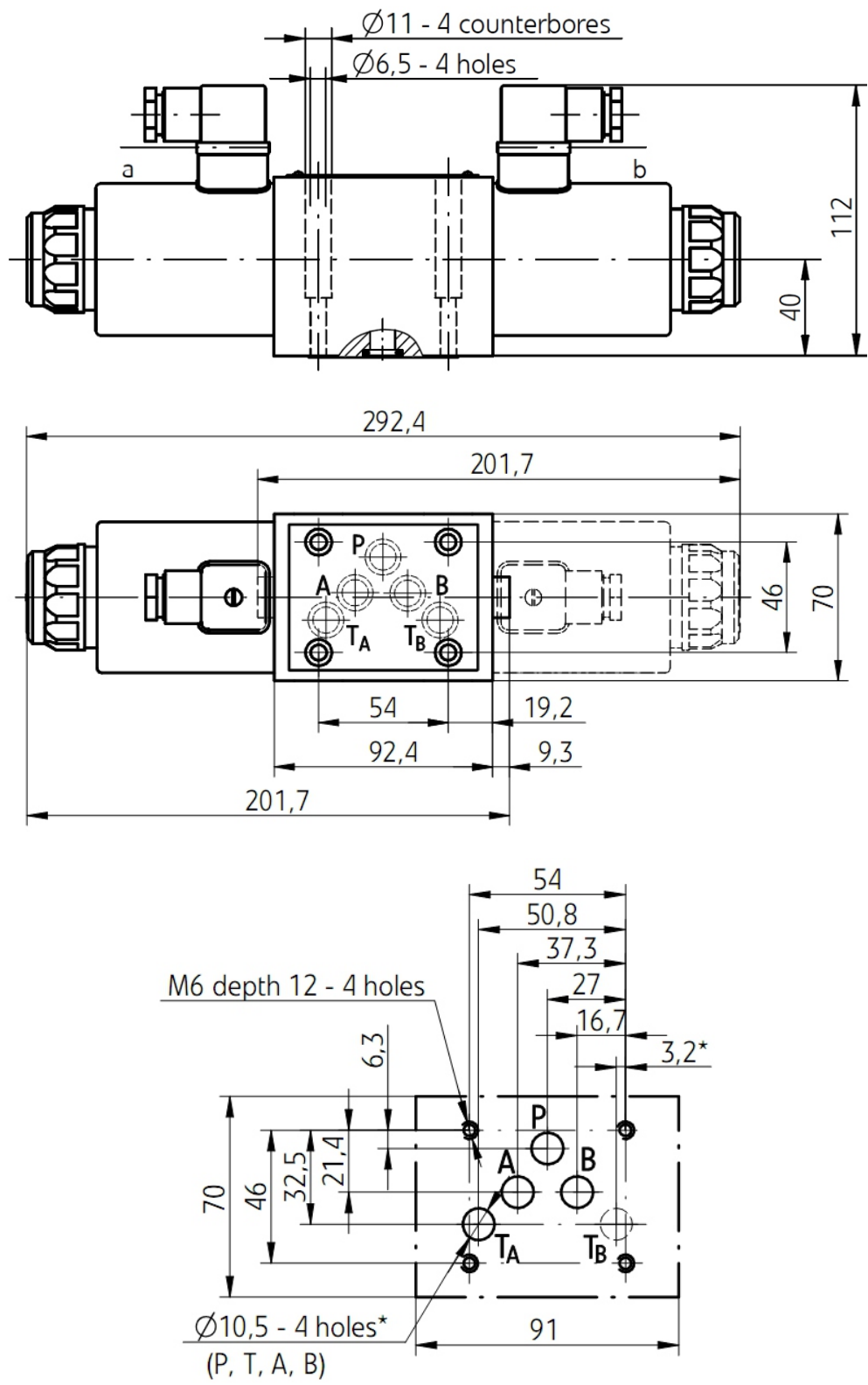
2-POSITION VALVES

3-POSITION VALVES



SEE ALSO:
WE6, WEH

SUBPLATE INSTALLATION DIMENSIONS



* - CONNECTION WITH ONE HOLE T FROM THE SIDE OF THE HOLE A OR B IS ENOUGH

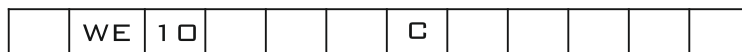
WE10

SOLENOID OPERATED
DIRECTIONAL CONTROL VALVES

DISTRIBUTORI
OLEODINAMICI



ORDER CODE



3 = 3-WAY
4 = 4-WAY

10 = 10 SIZE

SPOOL TYPE

3X = 50-39 SERIES

NO CODE = WITH SPRING RETURN
O = WITHOUT SPRING RETURN
OF = WITHOUT SPRING RETURN
WITH DETENT

C = WET PIN SOLENOID WITH
REMOVABLE COIL

G12 = DC 12V

G24 = DC 24V

W220/W110 = 220/110V AC

W220R/W110R = 220/110V AC RECTIFIED

NO CODE = NBR SEALS
V = FKM SEALS

Z5L = SQUARE PLUG WITH LAMP
Z4 = SQUARE PLUG

NO CODE = WITHOUT THROTTLE INSERT
B0.8 = THROTTLE 0.8 MM
B1.0 = THROTTLE 1.0 MM
B1.2 = THROTTLE 1.2 MM

N9 = WITH CONCEALED HAND EMERGENCY
NO CODE = WITHOUT HAND EMERGENCY