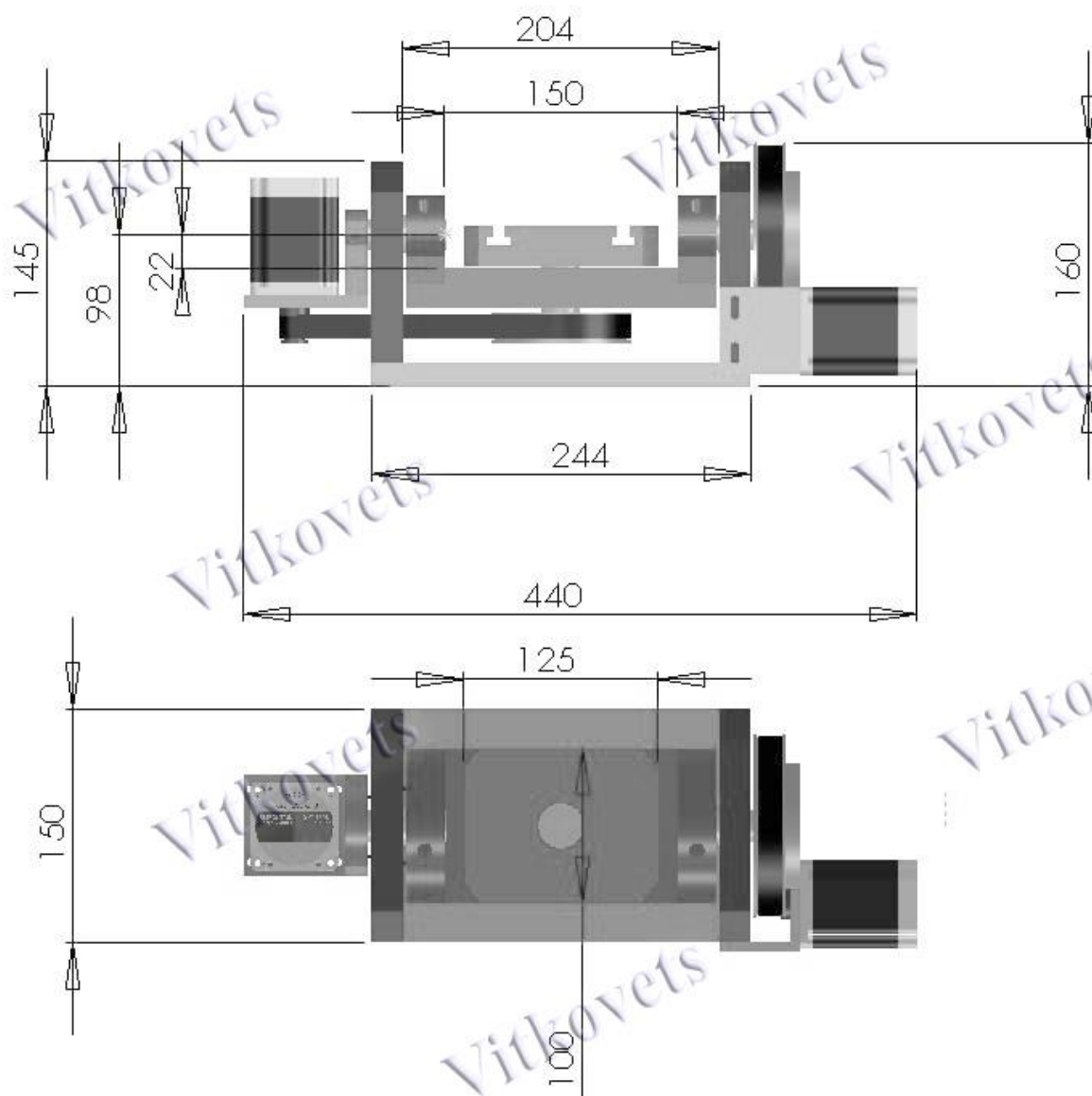


Схематический чертеж:



# HYBRID STEPPER MOTOR

TYPE 57HS76-3004A08-D25-03

## SPECIFICATIONS

step angle	1.8° ± 5%	voltage	4.2V
phase No.	2	current	3.0A
insulation resistance	100MΩ (500V DC)	inductance	3.5 ± 20% mH
insulation class	B	resistance	1.4 ± 10% Ω
weight	Kg	holding torque	18kg.cm

## diagram

