
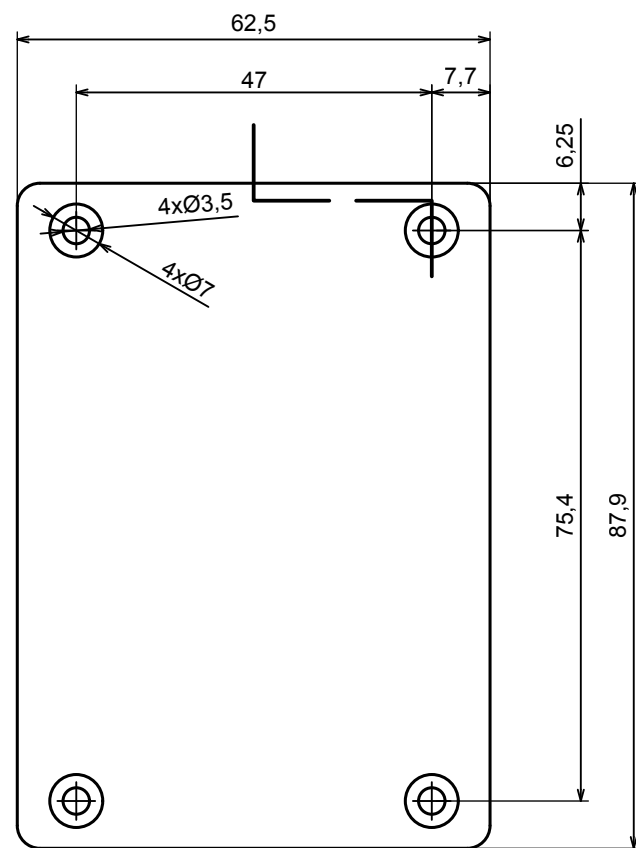


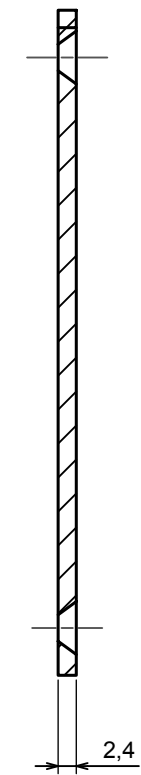
All rights reserved, Copyright Kradex 2016		
Product model	Enclosure Z53 - Assembly	
Format: A3	Material: PS, ABS	
Scale 1:1	Tolerance: +/- 0.5	

B |



B |

B-B



All rights reserved, Copyright Kradox 2016

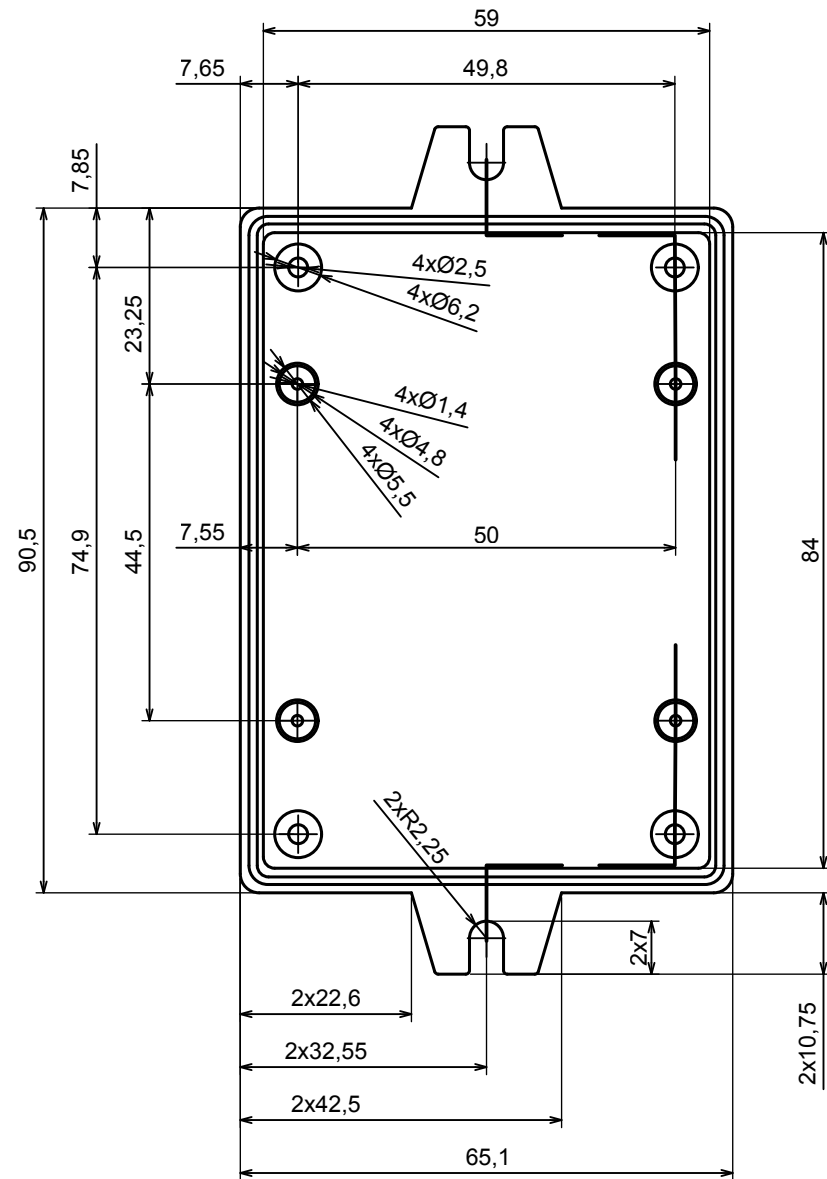
Product model Enclosure Z53 - Base

Format: A3 Material: PS, ABS

Scale 1:1 Tolerance: +/- 0.5

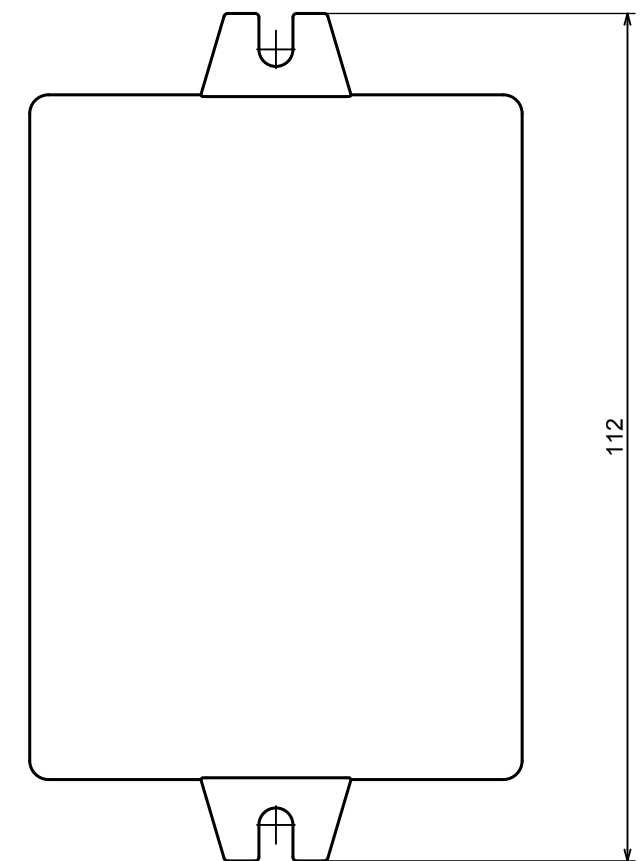
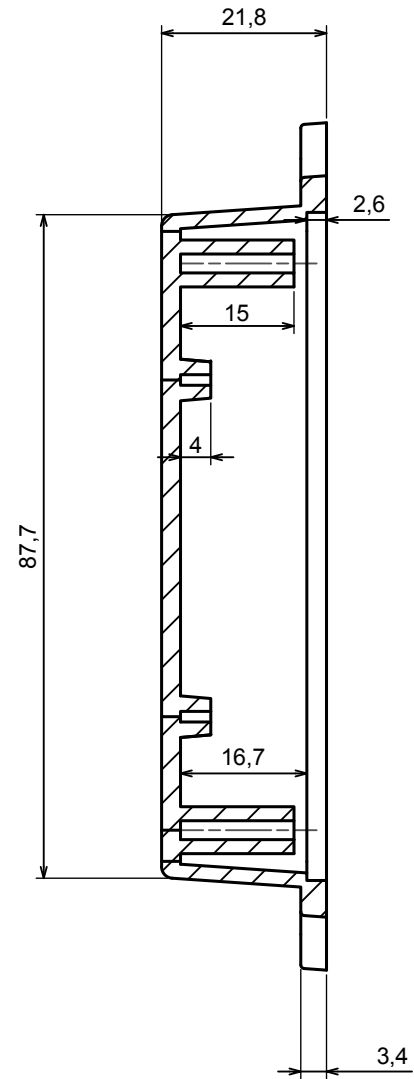


c |



c |

C-C



All rights reserved, Copyright Kradex 2016

Product model: Enclosure Z53 - Cover

Format: A3 Material: PS, ABS

Scale 1:1 Tolerance: +/- 0.5

