

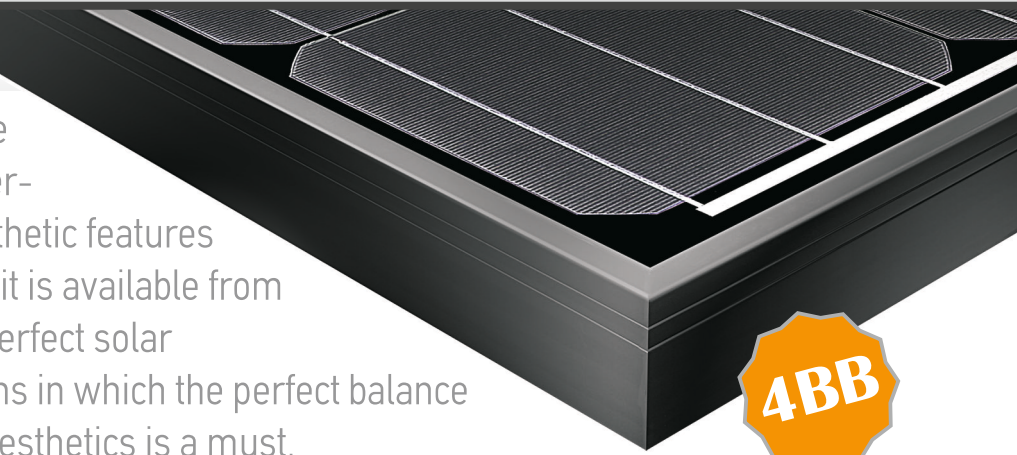


MONOCRYSTALLINE 270 - 285 Wp

CERTUS

Black and beautiful

The Certus is the monocrystalline solar module that enjoyed an overwhelming success due to its aesthetic features but also its wide power range as it is available from 270 up to 285Wp in 60 cells. The perfect solar module for residential installations in which the perfect balance between performance cost and aesthetics is a must.



4BB

Module Efficiency	Positive Power Tolerance	Linear Power Output Warranty	Product Quality Warranty
17.41%	0/+5W	25 Years	15 Years

Snow Load Parameters	Wind Load Parameters	Rated Junction Box	For Maximum Performance
5400 Pa	2400 Pa	IP 67	PID FREE

Electrical Characteristics

MODULE TYPE	AVNCBM270-60	AVNCBM275-60	AVNCBM280-60	AVNCBM285-60
Open-Circuit Voltage (Voc)	38.20 V	38.40 V	38.50 V	38.60 V
Optimum Operating Voltage (Vmp)	31.20 V	31.10 V	31.20 V	31.30 V
Short-Circuit Current (Isc)	9.31 A	9.48 A	9.62 A	9.75 A
Optimum Operating Current (Imp)	8.67 A	8.84 A	9.00 A	9.14 A
Maximum Power at STC (Pmax)	270 W	275 W	280 W	285 W
Module Efficiency	16.50 %	16.80 %	17.11 %	17.41 %
Maximum Series Fuse Rating	15 A			
Operating Temperature	-40°C to +85°C			
Maximum System Voltage	1000 VDC			
Power Tolerance	0 to +5 W			

STC : Irradiance 1000 W/m². Module temperature 25 °C. AM=1.5

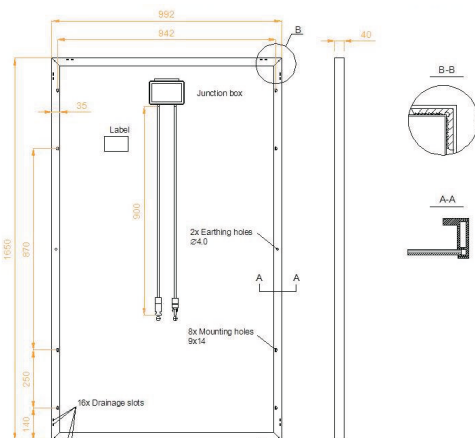
MECHANICAL CHARACTERISTICS

Type	Monocrystalline cell 156 x 156 mm
Cells Arrangement	6 x10 (60 pcs)
Module Dimensions	1650 x 992 x 40 mm
Weight	18.7 kg
Front Side	AR coated 3.2 mm Low Iron Tempered Glass
Frame	Anodized Aluminum Alloy
Junction Box	IP67 Rated, 3 by-pass diodes
Standard Packaging	26 pcs. 510kg per pallet
Module pieces per container	728 pcs in 40 ft HC - 28 pallets

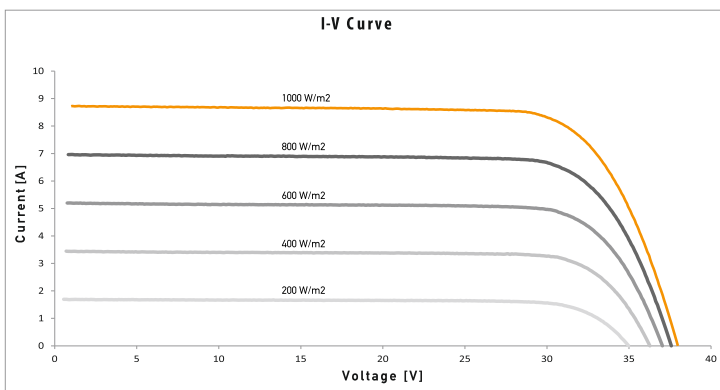
TEMPERATURE CHARACTERISTICS

Nominal Operating Cell Temperature (NOCT)	20°C ± 2°
Temperature Coefficient (Pmax)	-0.42 % / °K
Temperature Coefficient (Voc)	-0.33 % / °K
Temperature Coefficient (Isc)	0.05 % / °K

ENGINEERING DRAWING



AVNCBM270-60 ELECTRICAL PERFORMANCE



Design and specifications are subject to change.



AVENTIA
PV SOLUTIONS

info@aventiasolar.com | www.aventiasolar.com

Aventia Solar B.V.
Overschiestraat 184 1062 XK
Amsterdam, The Netherlands
Phone: + 31 20 80 86 197

Aventia Solar LTD
12 Monomatiou str.
136 77 Acharnes, Attica, Greece
Phone: + 30 211 01 25081