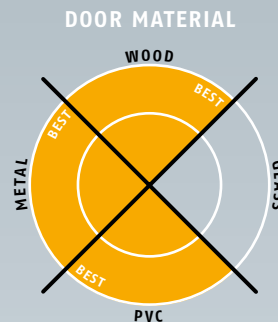


Planet X3 → 22 x 30 mm | ↓ 5 - 12 mm | ↔ 2 - 6 mm | 6A / 9A | ≤ 52 dB



Main features

- Keeps out driving rain (6A / 9A, ift certified), for entrance doors and balcony doors
- No drainage channel** required
- 3 simultaneous sealing movements: downwards, to the left and to the right
- Seal height ↓ 5 - 12 mm, lateral movement ↔ 2 - 6 mm
- Acoustic insulation up to ≤ 52 dB in case of an optimal sealing
- All 3 sealing movements (seal height / left / right) are separately adjustable
- Release on both sides
- Automatic compensation at inclined floors
- High-grade silicone lip
- From 68 mm door thickness
- Can be shortened up to the next shorter length on stock with Planet set for shortening X3
- 2 years warranty

Versions / options

- Planet X3 → RD ≤ 52 dB, smoke-shielding, trimmable
- Planet X3 → RD ≤ 52 dB, smoke-shielding, made to measure, ready for installation
- Special versions on request

Required accessories

- Assembly set X3 (including)
- Corner plate set X3

Door types with Planet X3



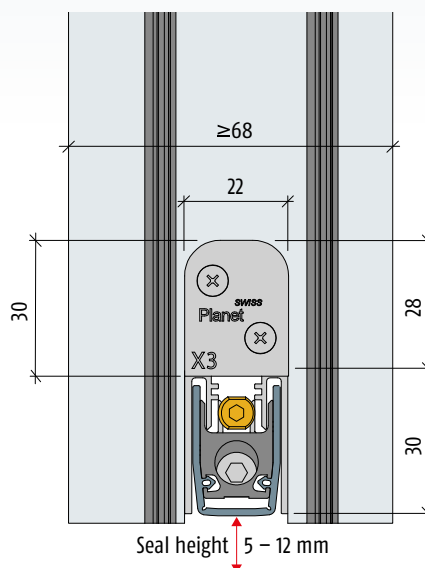
Single doors – hinged

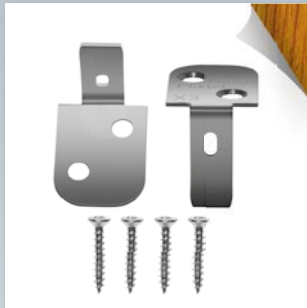
More functions



Technical specifications

Profile material	aluminium, → 22 x 30 mm
Groove size	□ 22,5 mm wide and 30 to 32 mm deep
Seal profile	high-grade silicone
Seal height	↓ 5 - 12 mm
Lateral movement	↔ 2 - 6 mm
Driving rain	6A / 9A, 250 Pa, classification to DIN EN 12208 test method to DIN EN 1027
Sound absorption value	up to ≤ 52 dB at 7 mm space to the floor
Lift height adjustment	on the release knob with a 3 mm Allen key
Lateral movement	at the face using 4 mm Allen key
Lengths in stock	960, 1085, 1210, 1335, 1460 mm
Special lengths	on request
Release	on both sides (lock and hinge sides)
Can be shortened	max. 125 mm
Fastening	laterally, with stainless steel fastening angles and screws
Test approvals	on request

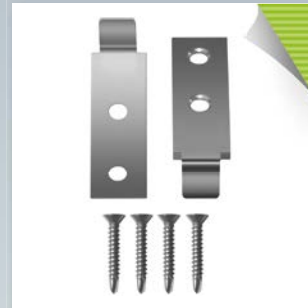




Planet assembly set X3 for wooden doors (standard)



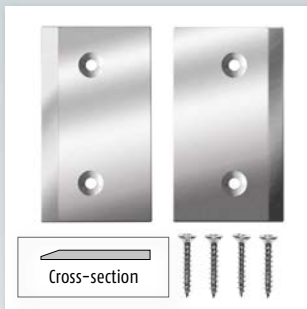
Planet assembly set X3 for metal doors (option)



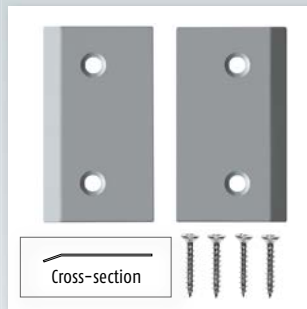
Planet assembly set X3 for PVC doors (on request)



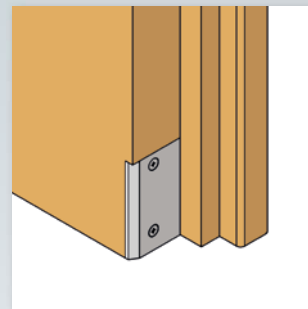
Planet set for shortening X3 (standard)



Planet corner plate set X3, aluminium, with inclined contact surface (required)



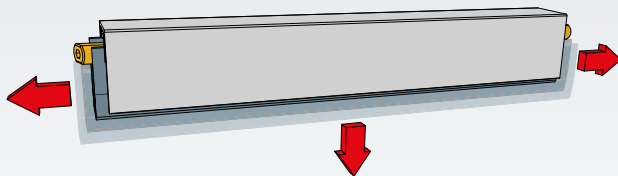
Planet corner plate set X3, sheet met., with inclined contact surface (required)



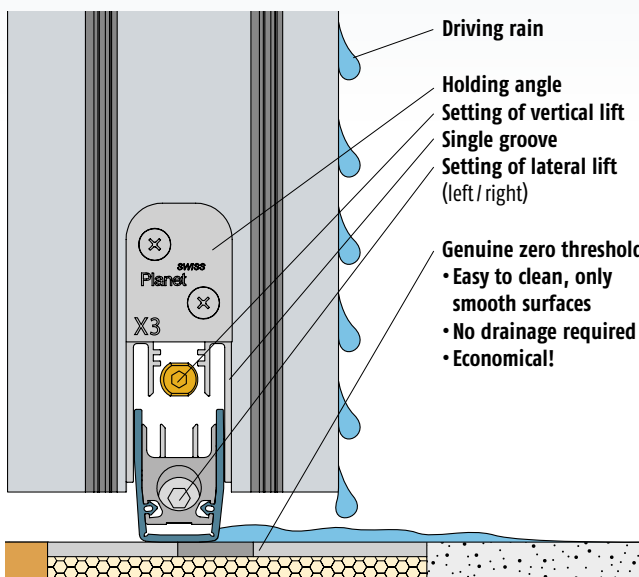
Installing example corner plate set X3, aluminium, installed on frame



Planet cut assistance X3 (option) for simple cutting of the silicone lip



3 simultaneous sealing movements: to the left, downwards and to the right



- Driving rain
- Holding angle
- Setting of vertical lift
- Single groove
- Setting of lateral lift (left / right)
- Genuine zero threshold
 - Easy to clean, only smooth surfaces
 - No drainage required
 - Economical!

Order specifications

Planet X3 → RD ≤ 52 dB trimmable incl. Planet set for shortening X3 and assembly set X3	Prod. code 200xxx*
Planet X3 → RD ≤ 52 dB made to measure, ready for installation incl. Planet assembly set X3	Prod. code 203xxx*

* xxx = refer to price list for profile length

Accessories | Options

Planet assembly set X3 for wooden doors incl. 2 fastening brackets (stainless), 4 screws	Prod. code 900096
Planet assembly set X3 for metal doors incl. 2 fastening brackets (stainless), 4 screws	Prod. code 900097
Planet assembly set X3 for PVC doors on request	Prod. code 900928
Planet Eckplattenset X3, aluminium	Prod. code 900136
Planet Eckplattenset X3, sheet metal	Prod. code 900137
Planet set for shortening X3	Prod. code 900110
Planet cut assistance X3	Prod. code 900930

Advertising text

Planet X3 → RD (smoke-shielding) ≤ 52 dB
 Automatic door drop-down seal Planet X3 → RD ≤ 52 dB, for driving rain (6A/9A, if certified) for sound protection-, smoke-shielding doors, release on both sides with automatic compensation in case of an inclined floor, 3 simultaneous sealing movements: sealing movements are adjustable downwards, to the left and to the right. Seal height up to ↓ 5 – 12 mm, lateral movement ↔ 2 – 6 mm, flush or deeper to put in groove with silicon lip protection. Lateral fastening. Aluminum profile → 22 x 30 mm.

