

Revel[®]
CONCERT*a*[™]

LCR8
Owner's Manual



Revel® Concerta™ LCR8 Owner's Manual

Table of Contents

- 3 Introduction
- 3 Planning Your System
- 3 Placement
- 4 Wall-Mounting the LCR8,
Using the Included Wall Bracket
- 6 Wiring the Speaker
- 6 Maintenance and Service
- 7 Specifications

Introduction

Revel® Concerta™ LCR8

The Revel® Concerta™ LCR8 loudspeaker is actually three discrete speakers built into a single enclosure. The LCR8 incorporates the front left, center and right channels of a home theater system. Simply add a Revel powered subwoofer and satellite speakers for the surround channels to complete a high-performance home entertainment loudspeaker system. The horizontal design allows for maximum placement flexibility.

Please read this owner's manual completely before connecting and operating the LCR8 all-in-one left, center, right loudspeaker. Optimum performance is dependent upon following these instructions, as well as those in the owner's manuals of associated components in your home theater system. Save these instructions for future reference.

Unpacking the Speaker

Finish unpacking the loudspeaker and check the contents. If you suspect damage from transit, report it immediately to your dealer. Keep the shipping carton and packing materials for future use.

Contents

Please verify that the package contains the following items:



(1) LCR8 loudspeaker



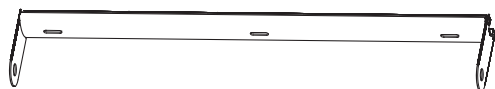
(2) Wall-mount end caps (attached to the LCR8)



(1) Speaker base



(1) Allen wrench



(1) Wall bracket with wall bracket cover

Note: The Revel Concerta LCR8 is ideally suited for use with a subwoofer. Contact your Revel dealer for recommendations on subwoofer models for your application.

Planning Your System

Before deciding where to best place your speakers, survey your room and study Figure 1. The LCR8 should be placed directly above or below the TV.

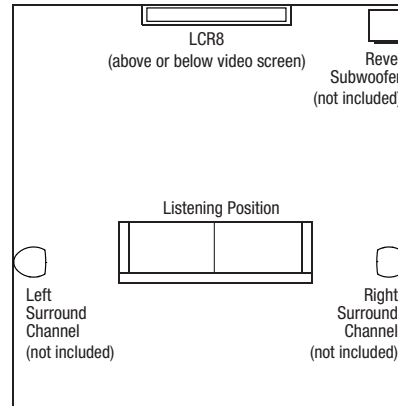


Figure 1: In this overhead view of a typical installation, the LCR8 is used to reproduce the front channels, and satellite loudspeakers are used to reproduce sound for the surround channels. The powered subwoofer reproduces low frequencies.

Placement

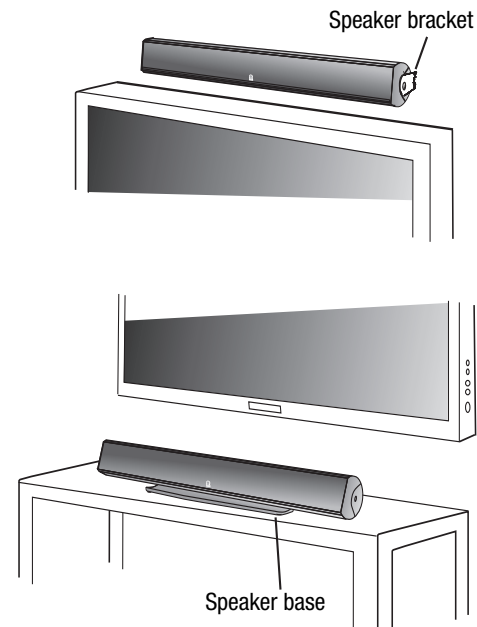


Figure 2: This example shows the LCR8 mounted on its bracket above a television and, alternatively, placed on its base below the television and tilted up (see Figure 3).

Note: If placing the LCR8 on top of a television, be sure the top of the television has a flat surface large enough to accommodate the speaker base. Do not set the speaker on top of any surface without using the included base.

Tilting the Speaker

If needed, the enclosed stand allows you to tilt the speaker across a wide range (i.e., upward to a maximum of 18° or downward to a maximum of 7°), as shown in Figure 3.

Important! Do not exceed the tilt range. Doing so may cause the speaker to fall out of its stand.

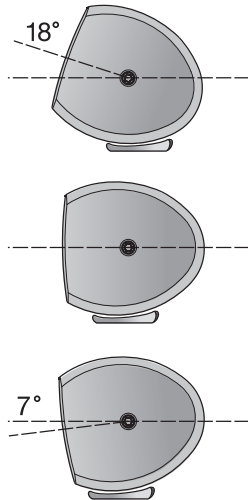
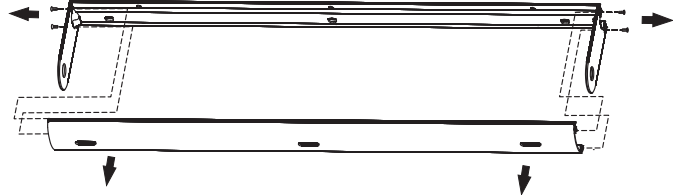


Figure 3

Wall-Mounting the LCR8 Using the Included Wall Bracket

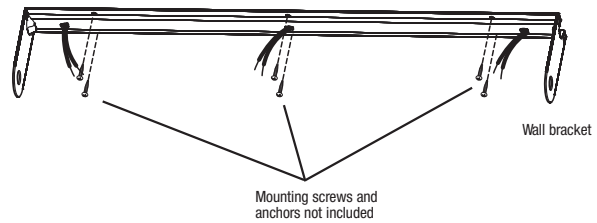
Step One

Remove the wall bracket cover by removing the four wall-bracket screws on the ends, as shown.



Step Two

Run the speaker wire for the left, center and right channels behind the wall bracket and out through the holes in the bracket. After deciding where to place the speaker, attach the wall bracket (in a horizontal position) to the wall, using the appropriate screws and anchors.



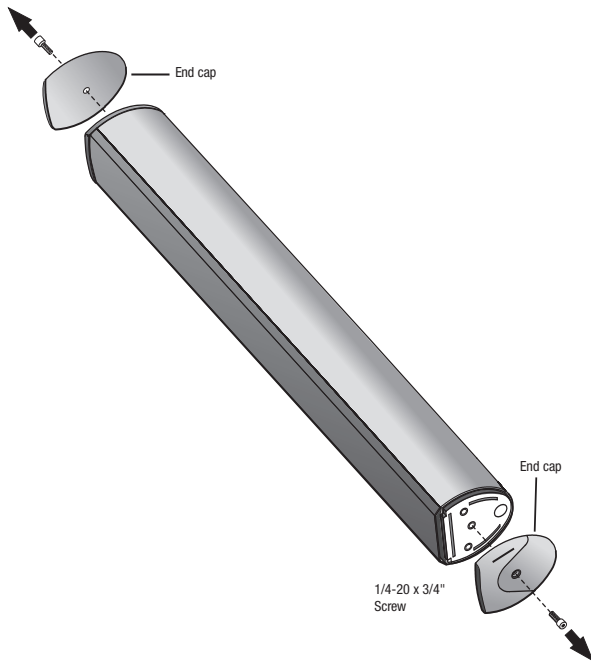
Step Three

Run the speaker wires out through the holes in the wall bracket cover. Resecure in place, as shown, with the four wall bracket screws.



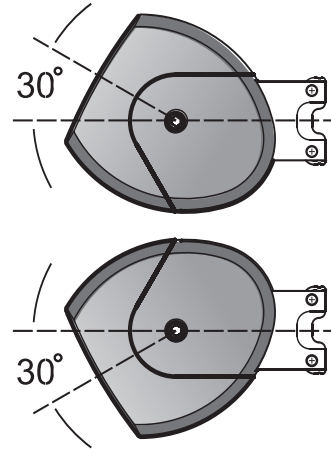
Step Four

Using the included Allen wrench, remove the top and bottom end caps of the speaker by unscrewing the single center screw on bottom.



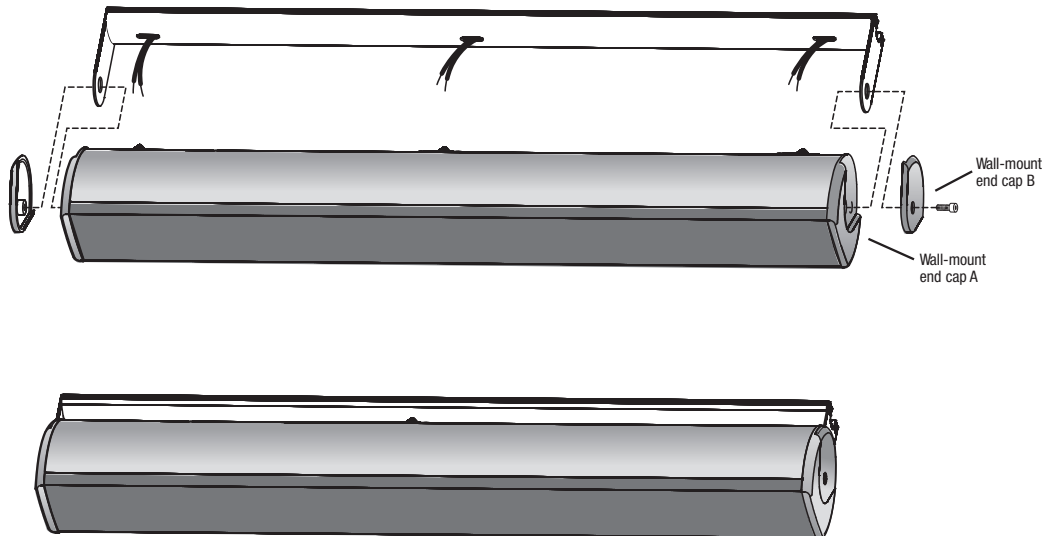
Step Six

The wall-bracket design allows for rotation of the speakers at angles of up to 30° of center. Position the speakers so that they face toward the primary listening position, before fully tightening.



Step Five

Connect the wires (see page 6). Replace the end caps while capturing the wall bracket between parts A and B of the end cap, securing it in place.



Wiring the Speaker

After placing the speaker, you are ready to connect it to your system. First, turn off all audio system power. Use high-quality speaker wire to make the connections. Consult the owner's manuals included with your amplifier or receiver for connection and operation procedures.

Surround Modes

When using the system in a Dolby® Digital or DTS® home theater system, make sure the receiver or processor is set to "Small" for the front left, center, and front right loudspeakers. When using the LCR8 in a Dolby Pro Logic® home theater system, make sure the receiver's center channel mode is set to "Normal."

Some receivers/processors offer a choice of crossover frequencies. Select 110Hz as the crossover frequency for the front left, center, and front right loudspeakers.

Some Dolby Digital-equipped receivers/processors offer different setup options for each source or surround mode, e.g., CD-stereo, DVD, Dolby, Pro Logic. In each case, follow your equipment's instructions to ensure that the subwoofer output is turned on and that the speakers are set to "Small" or to a crossover frequency of 110Hz in each mode.

Wiring and Polarity

The LCR8 speaker has gold-plated terminals that can accept bare wire. To ensure proper polarity, connect each + terminal on the back of the amplifier or receiver to the respective + (red) terminal on each speaker, as shown in Figure 4. Connect the – (black) terminals in a similar way.

See the owner's manuals that were included with your amplifier or receiver to confirm connection procedures.

Be sure to connect the left-channel wires to the leftmost terminals, the center-channel wires to the middle terminals, and the right-channel wires to the rightmost terminals.

Important! DO NOT reverse polarities (+ to – or – to +) when making connections. Doing so will degrade the imaging and bass response of the home theater system.

After correctly placing and wiring the LCR8 speaker and the rest of your loudspeakers, adjust the levels for all of the channels as recommended by the manufacturer of your receiver/processor.

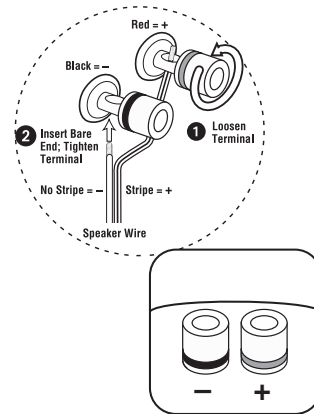


Figure 4: This example shows how to connect bare wires to the terminals. Banana plugs may also be inserted directly into the rear of the connector.

1. Loosen the terminals.
2. Inset bare ends; tighten terminals.

Maintenance and Service

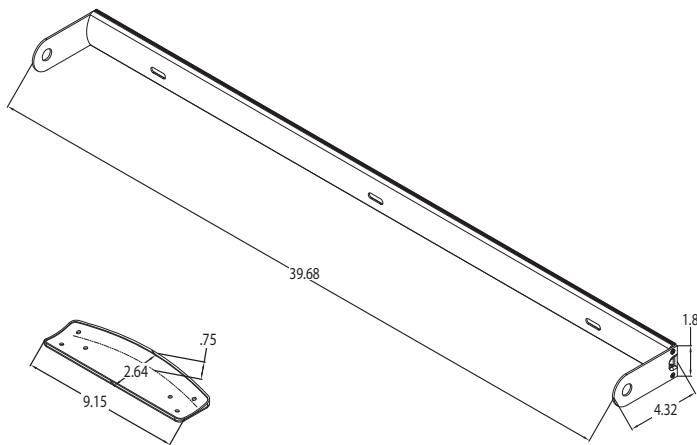
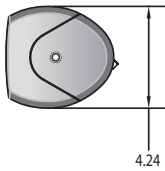
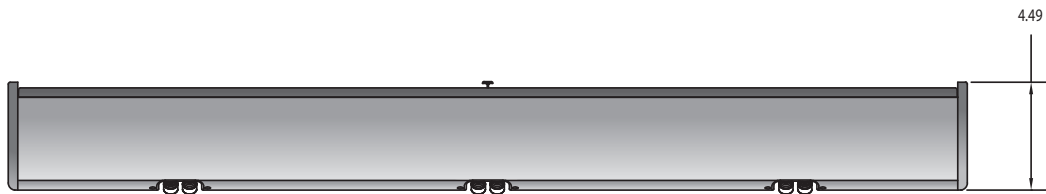
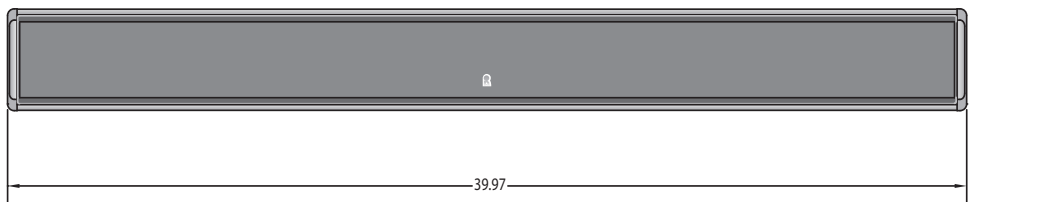
When needed, use a soft cloth to remove any fingerprints or to wipe off dust. Do not use any cleaning products or polish. Clean the grille by gentle vacuuming.

If your LCR8 loudspeaker should ever need service, please contact your local dealer or distributor, or visit www.revelspeakers.com for the location of a service center.

Specifications

Revel® Concerta™ LCR8

Frequency Response ($\pm 3\text{dB}$)	110Hz – 21kHz
Recommended Amplifier Power Range	10 – 125 Watts (per channel)
Sensitivity (2.83V @ 1m, 2 π anechoic)	88dB
Nominal Impedance	8 Ohms
Crossover Frequency	2-Way high-order at 2.2kHz
Low-Frequency Drivers	Six 3" (76mm) woofers with Micro Ceramic Composite (MCC) cones
LF Extension	-3dB @ 110Hz, -6dB @ 100Hz, -10dB @ 90Hz
High-Frequency Drivers	Three 1" (25mm) tweeters with Micro Ceramic Composite (MCC) domes
External Dimensions (H x W x D)	4-1/4" x 39-15/16" x 4-1/2" (107mm x 1015mm x 113mm)
Weight (Net)	11.4 lb (5.2kg)




Declaration of Conformity

CE

We, Harman Consumer Group, Inc.
2, route de Tours
72500 Château du Loir
France

declare in own responsibility that the product described
in this owner's manual is in compliance with technical
standards:

EN 61000-6-3:2001
EN 61000-6-1:2001


 Laurent Rault
 Harman Consumer Group, Inc.
 Château du Loir, France 8/08

Limited Warranty

A valid serial number is required for warranty coverage. This Revel warranty protects the original retail purchaser for a period of five (5) years (parts and labor) from any failure as a result of original manufacturing defects, so long as:

1. The Revel products were purchased within the 50 United States, its territories or Canada.
2. The dealer from whom the Revel products were purchased was authorized to sell such products at the time of the original purchase.
3. The original, dated Bill of Sale is presented whenever service is required during the warranty period.

The balance of this warranty is transferable only if the used product is purchased from an authorized Revel dealer. This warranty is only valid for service within the United States, its territories and Canada; please contact an authorized Revel dealer for warranty and service information.

Any Revel product not performing satisfactorily may be returned to the factory for evaluation. Return authorization must first be obtained by either calling or writing Customer Service prior to shipping the product. The customer is responsible for shipping charges to the factory.

Customer Service will pay return shipping charges within the United States only in the event that the product is found to be defective, as mentioned above. There are other stipulations that may apply to shipping charges.

There is no other express warranty on this product. Neither this warranty nor any other warranty, express or implied, including implied warranties of merchantability and fitness, shall extend beyond the warranty period. No responsibility is assumed for any incidental or consequential damages, so that the above exclusion or limitation may not apply.

This warranty provides specific legal rights. Other states may provide additional rights. This warranty is applicable in the United States, its territories and Canada. Outside of the United States, its territories and Canada, please contact an authorized Revel dealer for warranty and service information. The information this document contains is subject to change without notice. In the event that there are differences between this warranty and the provisions of any advertisements, documentation, product brochures or packaging cartons, the terms of this warranty will prevail.

For customer service and product shipment information, go to www.revelspeakers.com.

Revel, the Revel logo and Concerta are trademarks of Harman International Industries, Incorporated, in the United States and/or other countries.

Dolby and Pro Logic are registered trademarks of Dolby Laboratories.

DTS is a registered trademark of DTS, Inc.

Features, specifications and appearance are subject to change without notice.



www.revelspeakers.com

250 Crossways Park Drive, Woodbury, NY 11797
8500 Balboa Boulevard, Northridge, CA 91329

516.594.0300
Technical Support: 516.682.3744

Part No. ML-80322-01

©2008 Harman International Industries, Incorporated.
All rights reserved.

H Harman International