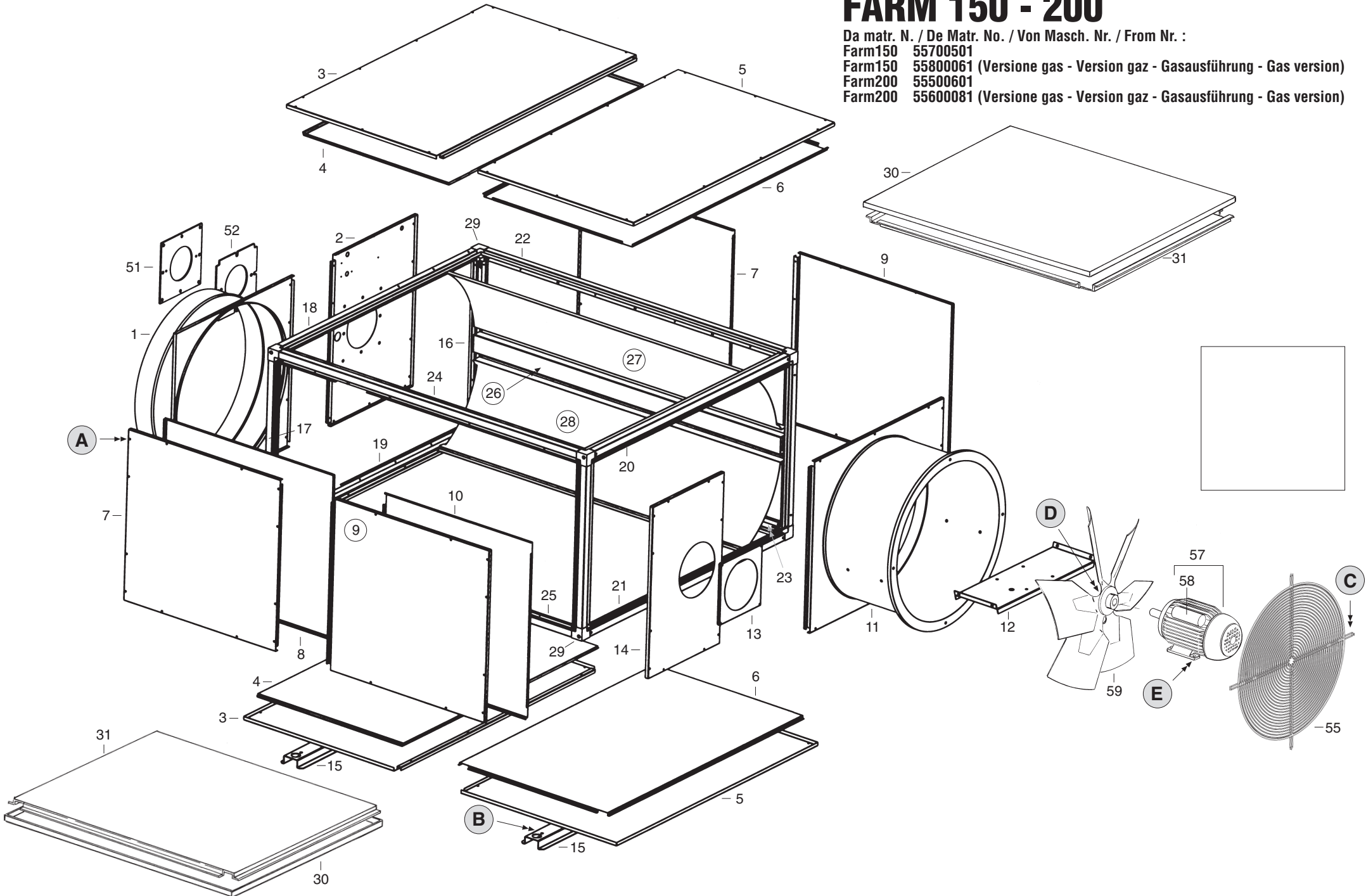
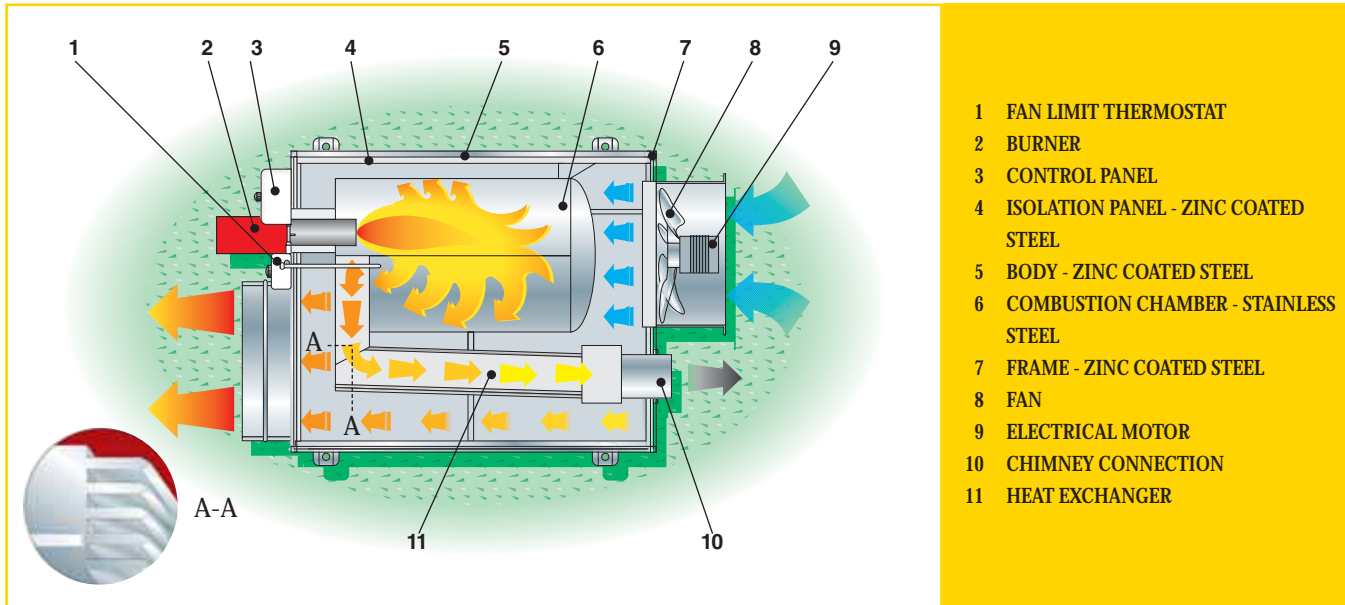


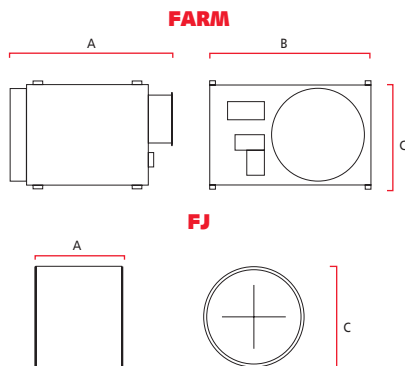
FARM 150 - 200

Da matr. N. / De Matr. No. / Von Masch. Nr. / From Nr. :
 Farm150 55700501
 Farm150 55800061 (Versione gas - Version gaz - Gasausführung - Gas version)
 Farm200 55500601
 Farm200 55600081 (Versione gas - Version gaz - Gasausführung - Gas version)





- 1 FAN LIMIT THERMOSTAT
- 2 BURNER
- 3 CONTROL PANEL
- 4 ISOLATION PANEL - ZINC COATED STEEL
- 5 BODY - ZINC COATED STEEL
- 6 COMBUSTION CHAMBER - STAINLESS STEEL
- 7 FRAME - ZINC COATED STEEL
- 8 FAN
- 9 ELECTRICAL MOTOR
- 10 CHIMNEY CONNECTION
- 11 HEAT EXCHANGER



2660x1400x800

www.vent.prom.ua (044) 332-81-40, 331-37-81, +380 (63) 26247-62