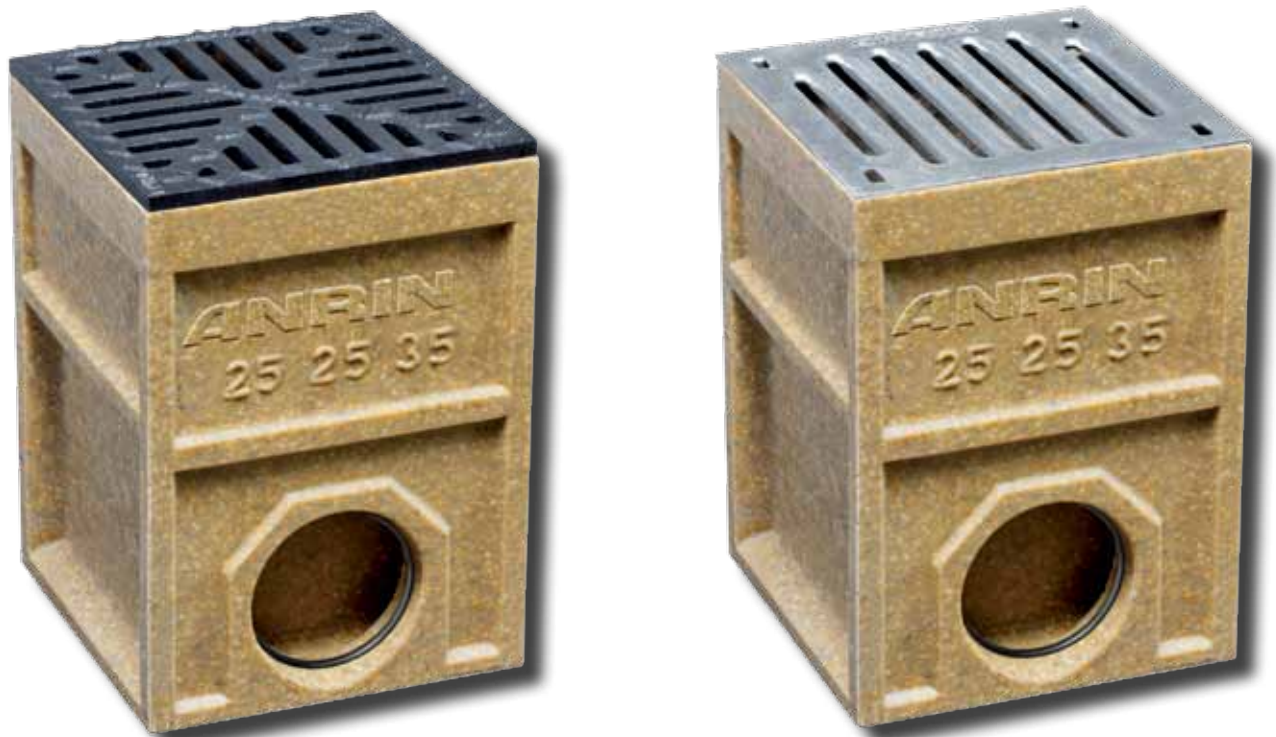


Technical data sheet

SELF yard sump



ANRIN

SERVICE provides custom solutions and possibilities for the contract business. Here you benefit from reliable cooperation with our technical office staff and good contact with the field staff. ANRIN is certified according to DIN EN ISO 9001:2008.

ANRIN DIRECT CONTACT: +49 (0) 29 47.97 81-0

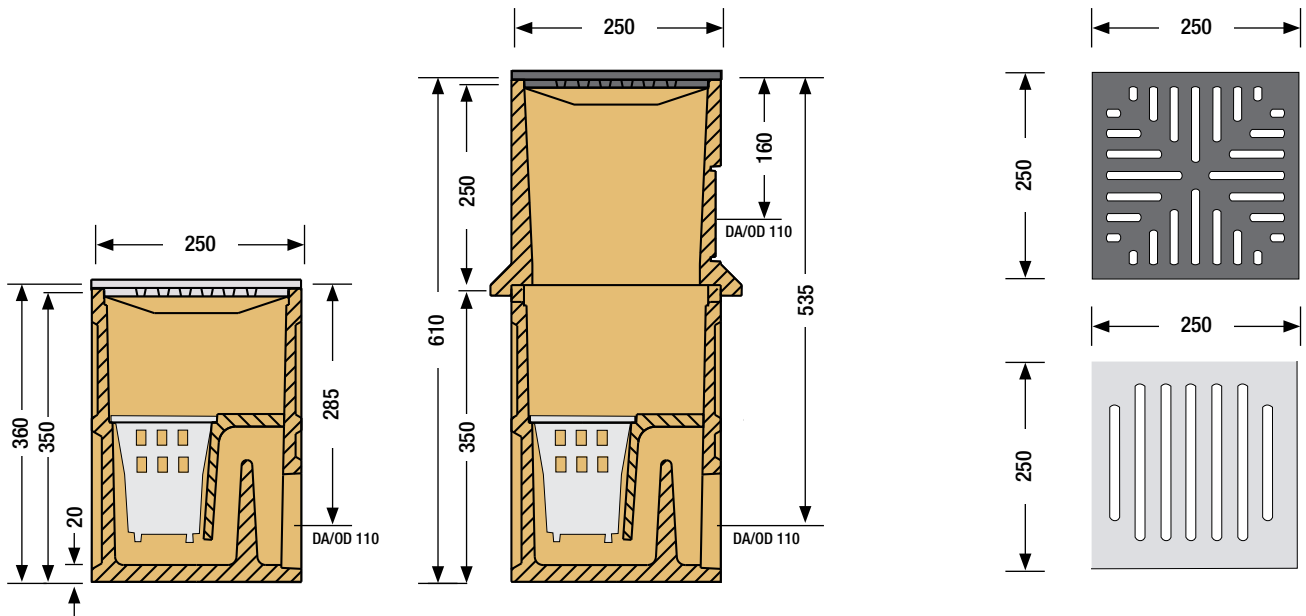
Product specifications

SELF yard sump	with galv. Slotted steel grating	with slotted cast iron grating	Raising piece
Material	Resin concrete	Resin concrete	Resin concrete
Length	25 cm	25 cm	25 cm
Width	25 cm	25 cm	25 cm
Height	35 cm	35 cm	25 cm
Weight	15.4 kg	19.8 kg	5.8 kg
Drain	DA/OD 110	DA/OD 110	DA/OD 110
Load capacity	Drivable	Drivable	Drivable
Cover	Slotted steel grating	Slotted cast iron grating	Slotted steel or cast iron grating

Material properties

Channel / component body	
Polymer concrete:	polyester resin-based with mineral aggregates, additives
Compressive strength:	≥ 90 N/mm ²
Bending tensile strength:	≥ 22 N/mm ²
Modulus of elasticity:	ca. 25 kN/mm ²
Density:	2.1 – 2.3 g/dm ³
Heat resistance:	100° C (permanent loading)
Frost resistance:	-50° C
Water penetration depth:	0 mm
Water absorption:	0.05 %


Dimensions



SELF yard sump

Article no.	EAN	Designation	Length cm	Width cm	Height cm	Weight kg
07012350	4026857007296	SELF Yard sump with galvanised grating	25	25	35	15.4
07012360	4026857010340	SELF Yard sump cast iron grating	25	25	36	19.8
07012900	4026857010357	SELF Yard sump for increasing the height	25	25	25	5.8

Cover gratings

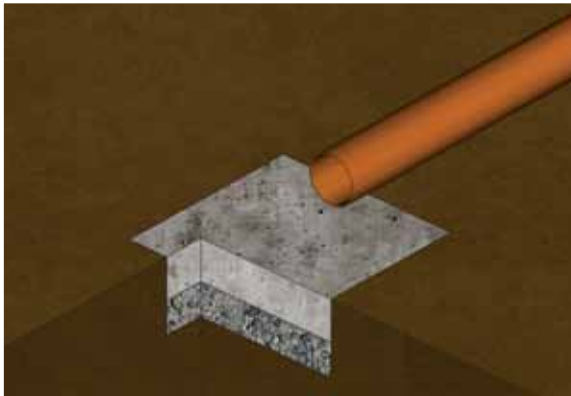
Slotted cast iron grating	Slotted steel grating
	

Installation instructions

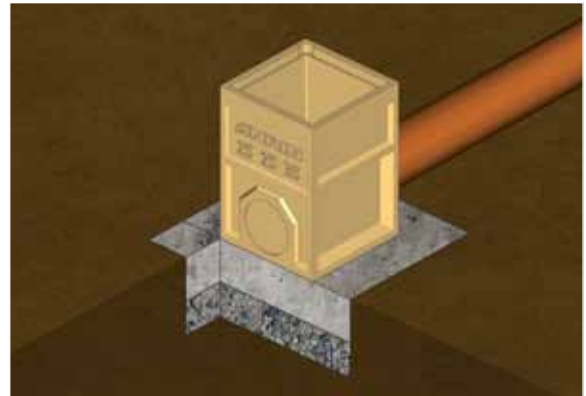
The following installation guidelines are schematic representations. These are provided as examples and are non-binding. The information provided here is based on our long-term experience in excavation and road construction as well as the state-of-the-art technology. Despite this, designers and planners are always obligated to check the products and the installation instructions for their appropriateness. The example details are simplified recommendations for execution. Constructions are to be re-created on a project-specific basis.

Important: Insert gratings for the installation.

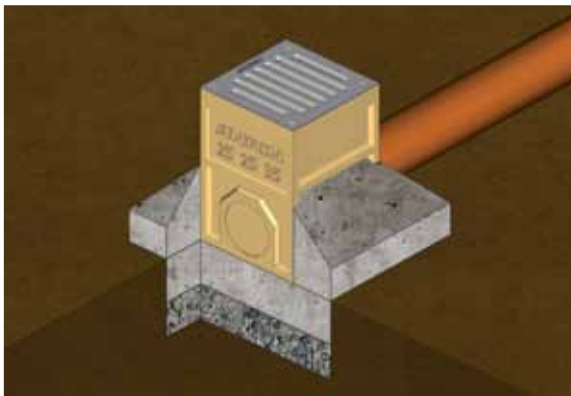
Installation instructions – ANRIN SELF yard sump in paving



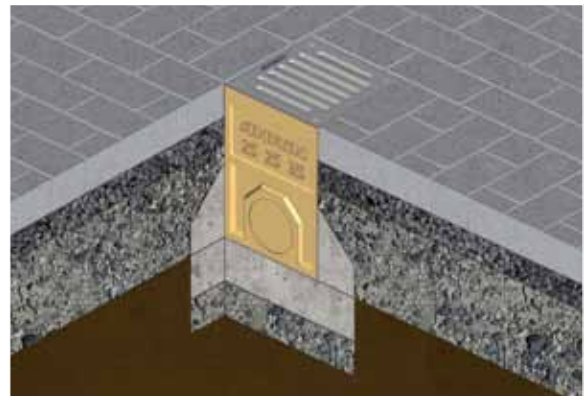
Install the pipeline to the yard sump. Excavate the trench and fill in the concrete bed of 3 parts sand + 1 part water + 1 part cement. With the installation of a yard sump with raising piece, observe the corresponding installation depth.



Place the yard sump on the concrete bed and align. Connect the pipeline. With connection of a rainfall pipe, make the perforation on the raising piece and fit the pipe socket. Connect the fall pipe.



Fill in the concrete bed and raise it at the sides of the sump unit. Fit the cover grating.



Install paving. The layer should end 2 to 5 mm higher than the cover grating.