

# Anti-PID Solution

## Anti-PID Module



## Brief Description

- The Anti-PID module is installed in the Smart Array Controller Box to reduce the negative effect of the Potential Induced Degradation (PID).

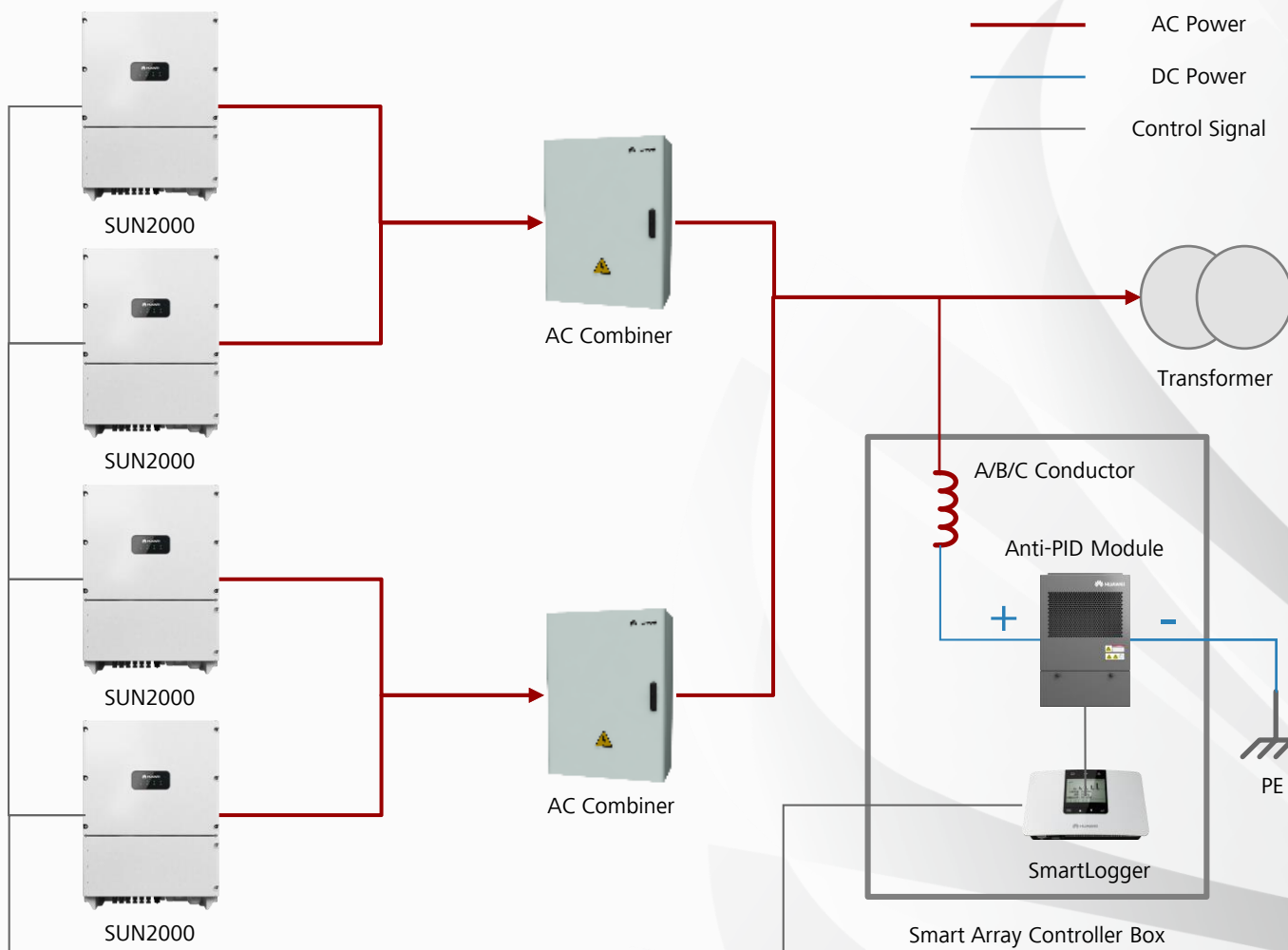
## Smart

- Automatically switches between midpoint feed and PV compensation modes according to inverters status

## Safe

- Guarantee human safety by highly accurate Residual Current Detection (RCD) protection

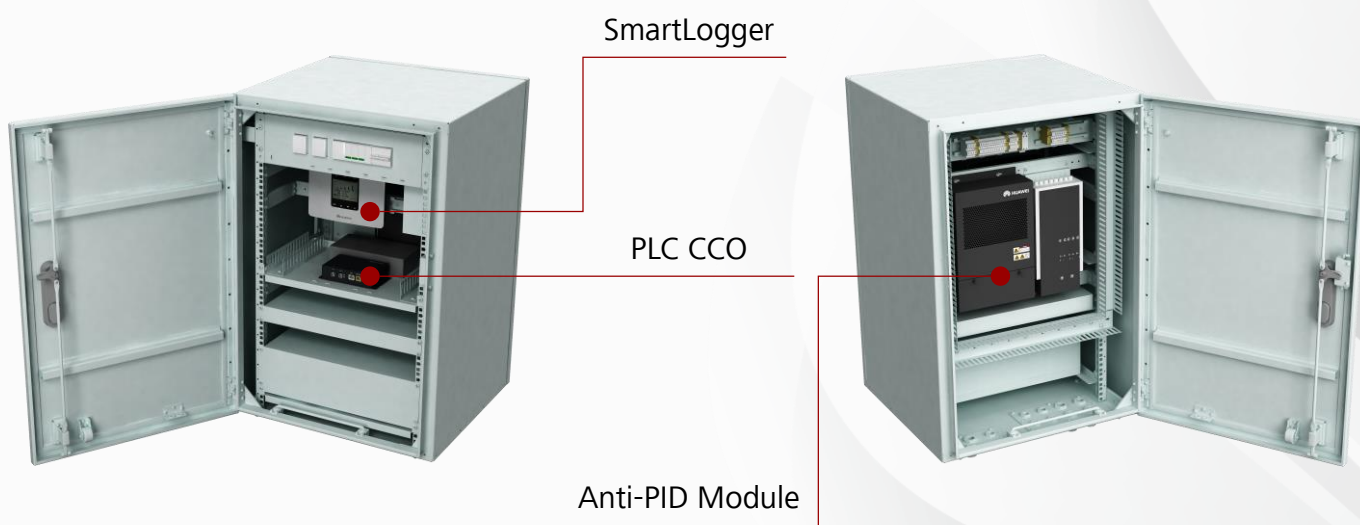
## Anti-PID Solution



# Anti-PID Solution

Technical Specifications	Anti-PID Module
	<b>Input</b>
Rated Input Voltage	320 Vac ~ 480 Vac
Operating Voltage Range	270 Vac ~ 620 Vac
Rated Frequency	50 Hz / 60 Hz
Max. Input Current	0.3 A
	<b>Output</b>
Output Voltage Range	50 Vdc ~ 500 Vdc
Max. Output Current	0.2 A
	<b>General Data</b>
Operating Temperature Range	-25 °C ~ +60 °C (-13°F ~ +140°F)
Relative Humidity (Non-condensing)	5 - 95%
Operating Altitude	4,000 m (13,123 ft)
Protection Rating	IP20
Installation Option	Tabletop, Rail mounting
	<b>Safety / EMC</b>
Safety / EMC	EN 61000-6-2, EN 61000-6-3, EN 61000-3-11, EN 61000-3-12, EN/IEC 62109-1, EN/IEC 62109-2

## Installation



### Note:

1. The Anti-PID solution could ONLY be deployed in utility installations which are normally connected to the medium voltage (MV) grid.
2. The Anti-PID module must work with Huawei SmartLoggers and Huawei SUN2000-28/40KTL inverters.

