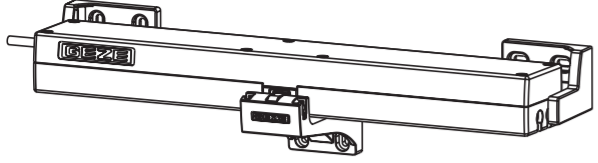


ECchain



148263-00

GEZE



≥1.8 mm



<1.8 mm



4,8 x L
ISO 7049 / DIN 7981



4,5 x L
DIN 7996



Ø 4,0 mm



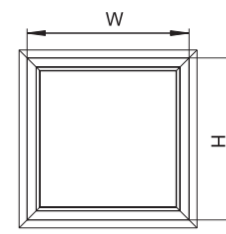
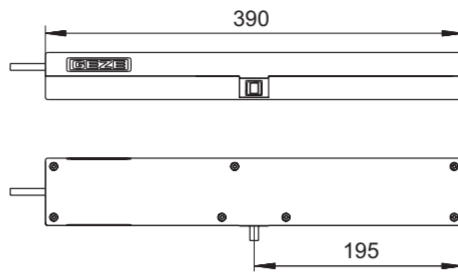
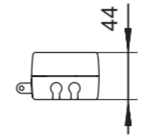
M5 x L (Form SK)



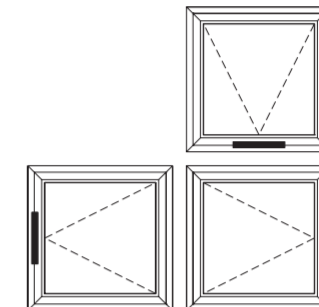
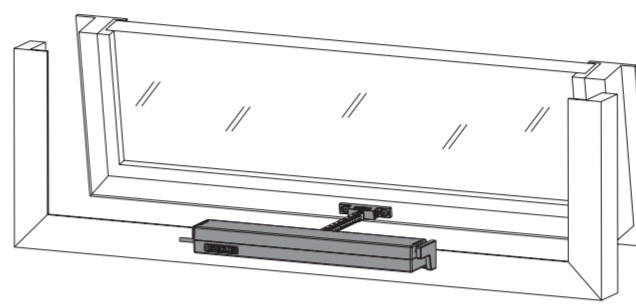
Ø 4,0 mm



Ø 3,0 mm

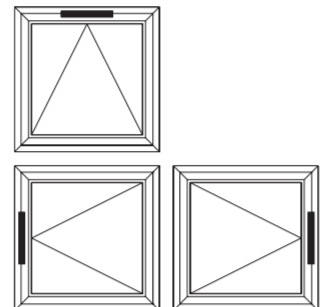
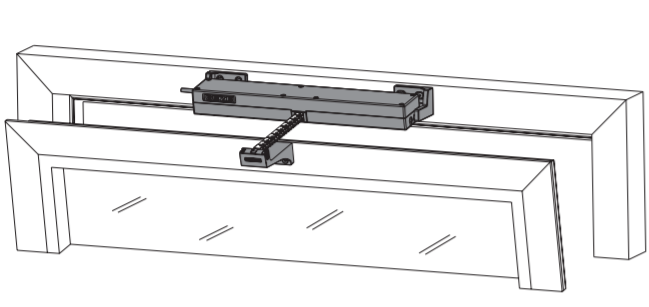


V2

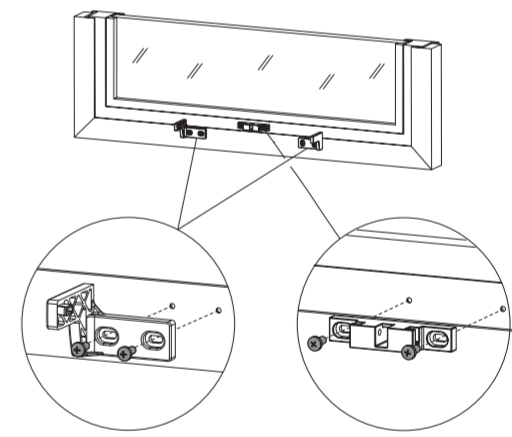
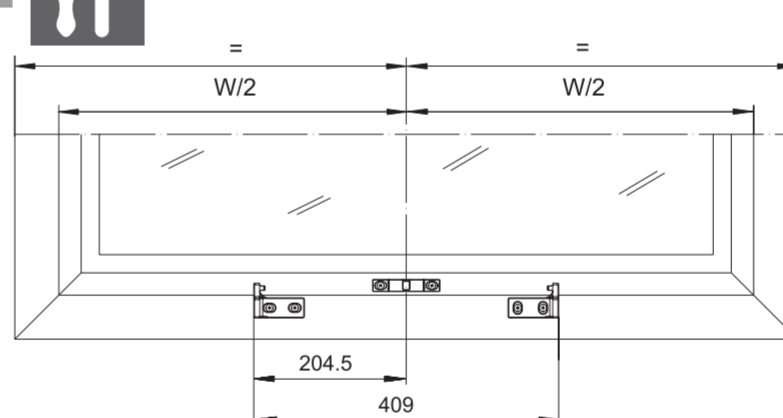
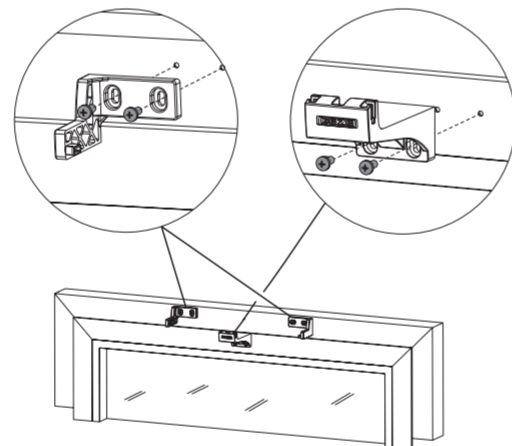
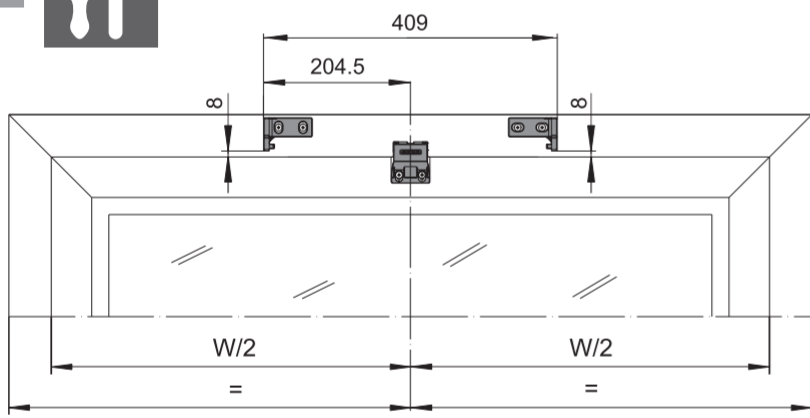
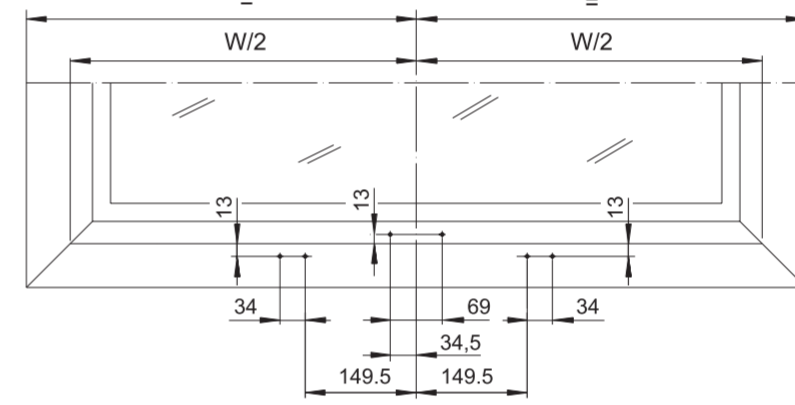
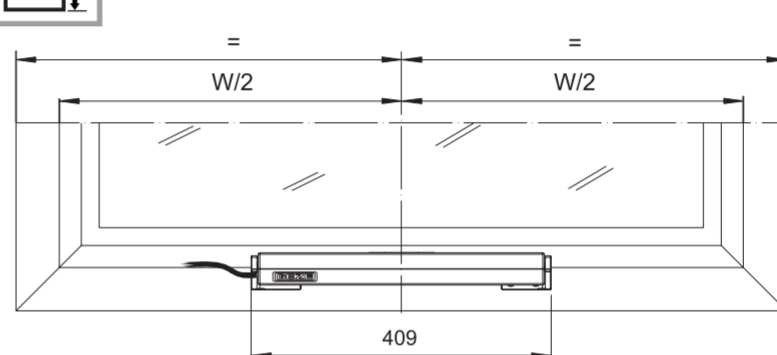
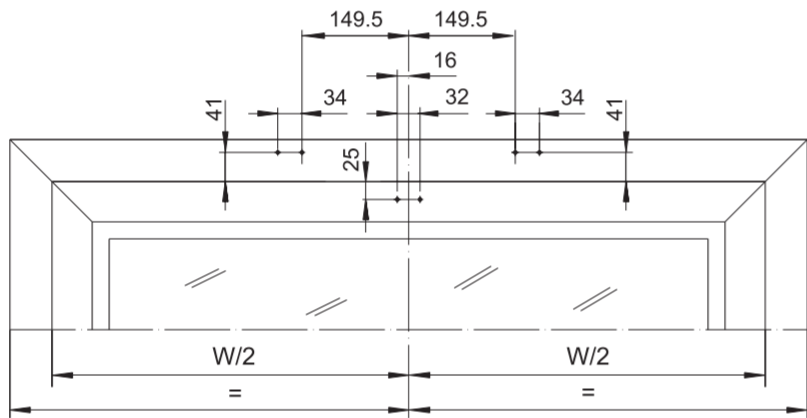
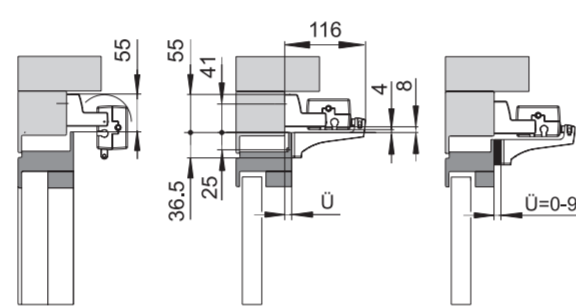
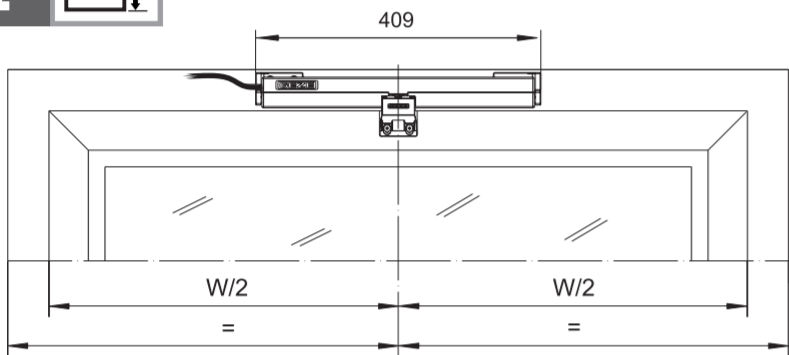


H min.
200 400 mm
400 400 mm

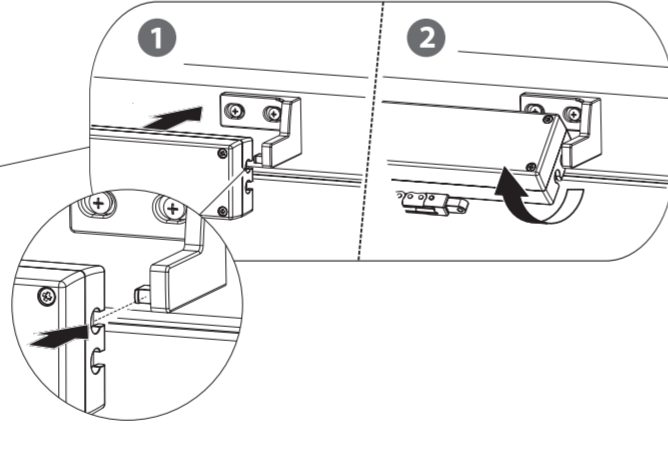
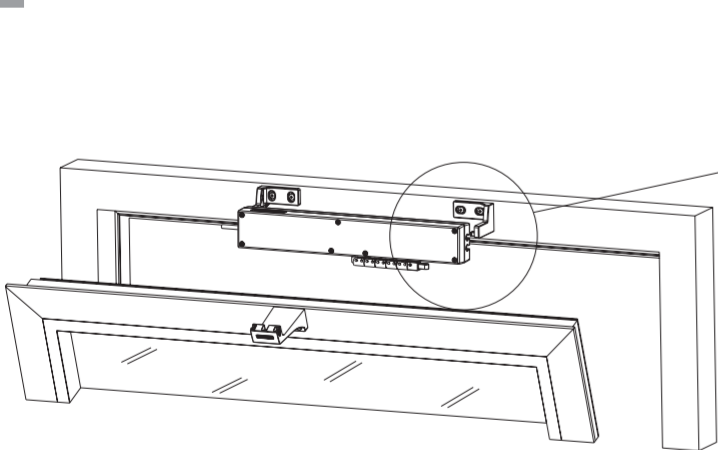
V1



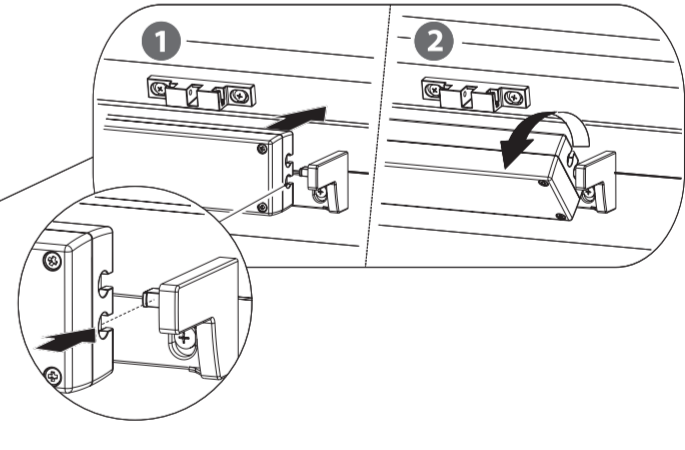
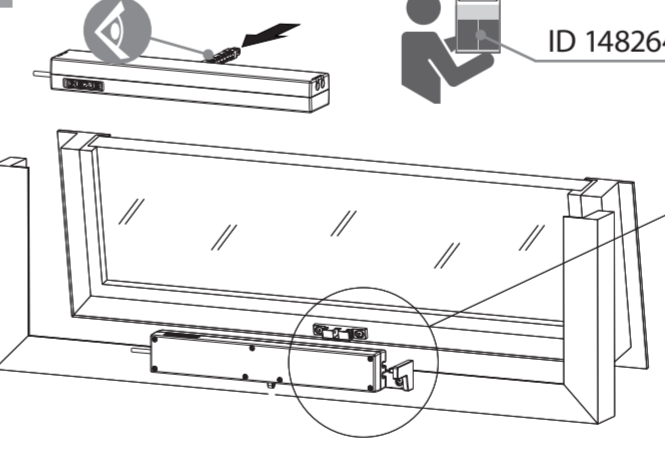
H min.
200 400 mm
400 600 mm



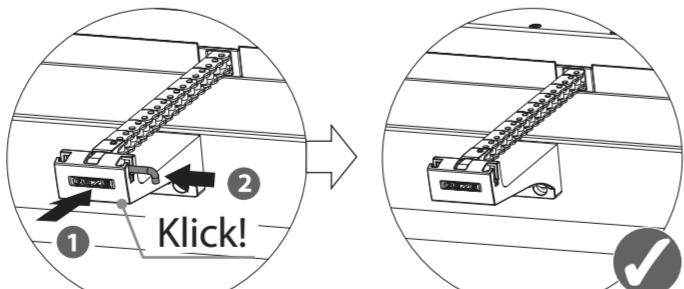
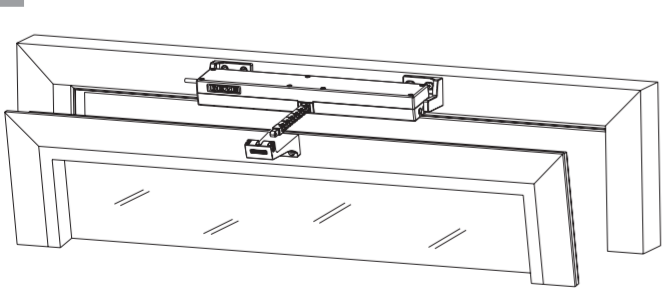
3



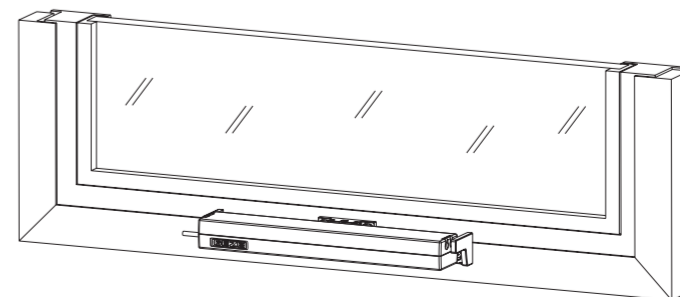
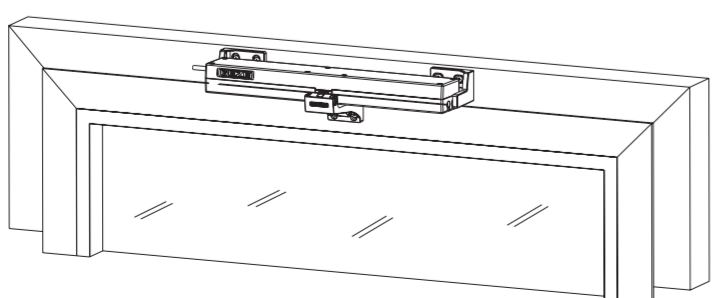
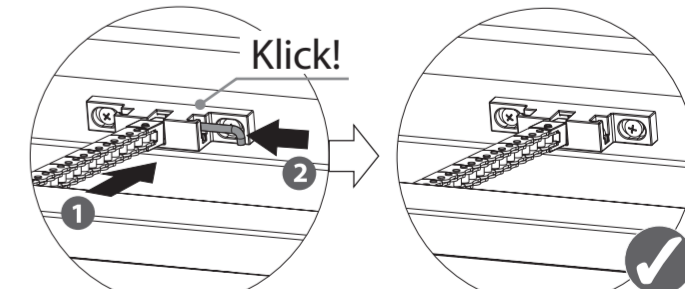
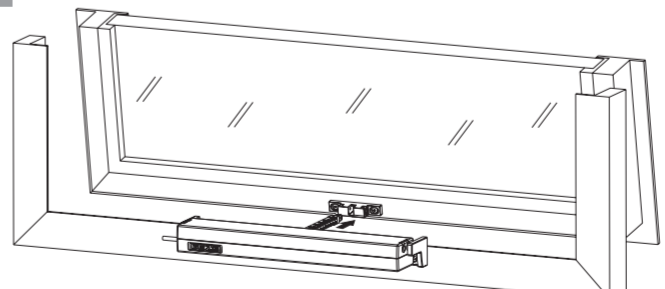
3



4



4



GEZE GmbH
P.O.Box 1363
71229 Leonberg
Germany

Tel.: 0049 7152 203-0
Fax: 0049 7152 203-310
www.geze.com

148263-00

