

CENTRIFUGAL: Performance range

ЦЕНТРОБЕЖНЫЕ НАСОСЫ: Диапазон эксплуатационных характеристик

KDN: Table of selection / Таблица выбора

4 POLES/ПОЛЮСА \cong 1450 1/min

MODEL / МОДЕЛЬ	Q (m³/h)	0	3	6	12	18	24	30	36	42	48	54
	(l/min)	0	50	100	200	300	400	500	600	700	800	900
KDN 32-125.1/105	H (m)	3.5	3.4	3.1								
KDN 32-125.1/110		3.9	3.8	3.5								
KDN 32-125.1/115		4.25	4.2	3.9								
KDN 32-125.1/120		4.7	4.6	4.3								
KDN 32-125.1/125		5.1	5.1	4.8								
KDN 32-125.1/130		5.6	5.6	5.3								
KDN 32-125.1/135		6.1	6	5.8	4.4							
KDN 32-125.1/140		6.6	6.6	6.4	5.1							
KDN 32-125/115		4.3		4.1	3.2							
KDN 32-125/120		4.75		4.6	3.75							
KDN 32-125/125		5.2		5.05	4.2							
KDN 32-125/130		5.7		5.5	4.8							
KDN 32-125/135		6.2		6	5.3	3.65						
KDN 32-125/142		6.9		6.75	6.15	4.5						
KDN 32-160.1/137		5.3	5.3	4.7								
KDN 32-160.1/145		6.2	6.1	5								
KDN 32-160.1/153		7	7	6.6								
KDN 32-160.1/161		8	7.9	7.6								
KDN 32-160.1/169		8.9	8.9	8.6	5.5							
KDN 32-160.1/177		9	9.8	9.5	6.6							
KDN 32-160/137		5.9		5.6	4.4							
KDN 32-160/145		6.7		6.5	5.3							
KDN 32-160/153		7.6		7.4	6.25							
KDN 32-160/161		8.5		8.25	7.25	8.7						
KDN 32-160/169		9.5		9.3	8.4	6.6						
KDN 32-160/177		10.5		10.4	9.6	7.8						
KDN 32-200.1/170		8.6	8.5	7.2								
KDN 32-200.1/180		9.8	9.8	9								
KDN 32-200.1/190		11.3	11.1	10.5								
KDN 32-200.1/200		12.8	12.7	11.7	8.3							
KDN 32-200.1/207		13.8	13.8	13	8.9							
KDN 32-200/170		8.6		8.2	6.7							
KDN 32-200/180		9.9		9.6	8.2							
KDN 32-200/190		11.2		10.9	9.7	7						
KDN 32-200/200		12.6		12.3	11.1	8.7						
KDN 32-200/210		14.3		14	13.1	10.7						
KDN 32-200/219		15.7		15.4	14.8	13	9.8					
KDN 40-125/115		4.2		4.1	3.8	3.2	2.4					
KDN 40-125/120		4.6		4.5	4.2	3.7	2.9					
KDN 40-125/125		5.1		4.9	4.7	4.1	3.3					
KDN 40-125/130		5.5		5.4	5.2	4.7	3.9					
KDN 40-125/135		6		5.9	5.8	5.3	4.6					
KDN 40-125/142	6.7		6.6	6.5	6	5.3	4.1					
KDN 40-160/137	5.9		5.8	5.8	5	3.7						
KDN 40-160/145	6.7		6.6	6.5	6	4.8						
KDN 40-160/153	7.6		7.6	7.5	7	6.8						
KDN 40-160/161	8.6		8.5	8.4	8	7.1	5.6					
KDN 40-160/169	9.6		9.5	9.5	9.1	8.3	7					
KDN 40-160/177	10.7		10.7	10.6	10.2	9.5	8.3					
KDN 40-200/170	8.4		8.4	8.2	7.4	5.7						
KDN 40-200/180	9.7		9.7	9.4	8.8	7.2						
KDN 40-200/190	10.9		10.8	10.7	10.2	8.8	6.8					
KDN 40-200/200	12.2		12.1	12	11.7	10.4	8.6					
KDN 40-200/210	13.6		13.5	13.5	13.2	12.1	10.6					
KDN 40-200/219	15		15	15	14.7	13.8	12.4	10.4				
KDN 40-250/220	15.8			15.6	14.8	13.6	12					
KDN 40-250/230	17.4			17.2	16.5	15.3	13.7					
KDN 40-250/240	19.1			19	18.2	17	15.5					
KDN 40-250/250	20.7			20.6	20	18.9	17.5					
KDN 40-250/260	22.7			22.6	22.1	21	19.5					

CENTRIFUGAL: Performance range

ЦЕНТРОБЕЖНЫЕ НАСОСЫ: Диапазон эксплуатационных характеристик

KDN: Table of selection / Таблица выбора

4 POLES/ПОЛЮСА \cong 1450 1/min

MODEL / МОДЕЛЬ	Q (m³/h)	0	3	6	12	18	24	30	36	42	48	54	60	66	72	78	84	90	102	114
	(l/min)	0	50	100	200	300	400	500	600	700	800	900	1000	1100	1200	1300	1400	1500	1700	1900
KDN 50-125/115	4.2			4.1	3.9	3.6	3.3	2.9	2.3											
KDN 50-125/120	4.6			4.4	4.3	4	3.7	3.3	2.8											
KDN 50-125/125	5			4.9	4.7	4.5	4.2	3.7	3.3											
KDN 50-125/130	5.6			5.4	5.2	5	4.7	4.2	3.8	3.2										
KDN 50-125/135	6			5.8	5.7	5.5	5.2	4.8	4.3	3.8										
KDN 50-125/139	6.3			6.2	6.1	5.9	5.6	5.2	4.8	4.2										
KDN 50-125/144	6.7			6.7	6.6	6.4	6.2	5.8	5.3	4.8	4.1									
KDN 50-160/137	6			6	5.9	5.6	5.2	4.8												
KDN 50-160/145	6.8			6.7	6.7	6.5	6.2	5.8												
KDN 50-160/153	7.6			7.6	7.5	7.4	7.2	6.7												
KDN 50-160/161	8.4			8.4	8.3	8.2	8.1	7.7												
KDN 50-160/169	9.4			9.3	9.2	9.2	9.1	8.8												
KDN 50-160/177	10.4			10.3	10.3	10.2	10.1	9.95												
KDN 50-200/170	9.5			9.3	9.2	8.8	8	6.85												
KDN 50-200/180	10.6			10.6	10.5	10.1	9.5	8.6	7.3											
KDN 50-200/190	11.8			11.7	11.6	11.4	10.8	10.1	8.9											
KDN 50-200/200	13.1			13	13	12.8	12.3	11.6	10.6	9.4										
KDN 50-200/210	14.6			14.6	14.5	14.4	13.9	13.2	12.2	11										
KDN 50-200/219	16			16	16	15.9	15.4	14.2	13.8	12.7	11.4									
KDN 50-250/220	15.9			15.7	15.6	15.4	14.9	13.8	12.4	10.5										
KDN 50-250/230	17.4			17.3	17.2	17	16.5	15.5	14.2	12.6	10.3									
KDN 50-250/240	19			19	19	18.8	18.2	17.4	16.2	14.7	12.4									
KDN 50-250/250	20.8			20.8	20.7	20.6	20.1	19.2	18.1	17	14.8									
KDN 50-250/263	23			23	22.9	22.8	22.5	21.7	20.6	19.4	17.5									
KDN 65-125/120/110	3.75					3.5	3.3	3.2	2.9	2.7	2.3	1.9								
KDN 65-125/120	4.25					3.9	3.8	3.6	3.3	3.1	2.7	2.3								
KDN 65-125/125	4.7					4.4	4.25	4.1	3.8	3.6	3.25	2.8								
KDN 65-125/130	5.1					4.9	4.75	4.6	4.3	4.1	3.8	3.3	2.8							
KDN 65-125/135	5.6					5.4	5.3	5.2	4.9	4.7	4.3	3.9	3.5	3						
KDN 65-125/140	6					5.9	5.8	5.7	5.5	5.2	4.9	4.5	4.1	3.6						
KDN 65-125/144	6.4					6.35	6.25	6.2	5.9	5.7	5.4	5	4.65	4.2	3.7					
KDN 65-160/137	5.8					5.7	5.4	5.2	4.75	4.3	3.7									
KDN 65-160/145	6.5					6.5	6.3	6	5.7	5.3	4.75	4.1								
KDN 65-160/153	7.3					7.2	7.2	6.9	6.7	6.3	5.8	5.25								
KDN 65-160/161	8.2					8.1	8.1	7.9	7.7	7.3	6.85	6.3	5.8							
KDN 65-160/169	9.1					9.1	9	8.9	8.7	8.4	8	7.6	7.1	6.4						
KDN 65-160/177	10					10	9.9	9.8	9.7	9.45	9.1	8.7	8.2	7.5						
KDN 65-200/170	9.3				9.3	9.2	9.2	9	8.5	7.9	7.1	6.3								
KDN 65-200/180	10.4				10.4	10.4	10.3	10.2	10	9.5	8.8	8.1								
KDN 65-200/190	12.1				12	12	12	11.9	11.5	11.1	10.5	9.8	8.8							
KDN 65-200/200	13.3				13.3	13.3	13.2	13.1	13	12.8	12.3	11.6	10.8							
KDN 65-200/210	14.8				14.7	14.7	14.7	14.6	14.6	14.3	13.8	13.4	12.7	12						
KDN 65-200/219	16.2				16.2	16.2	16.1	16	15.9	15.8	15.4	15	14.4	13.5	12.7					
KDN 65-250/220	15.8					15.8	15.5	15.1	14.5	14	13.2	12	10.7							
KDN 65-250/230	17.4					17.4	17.2	16.8	16.3	15.7	15	14.1	12.7	11.4						
KDN 65-250/240	19					19	18.9	18.5	18.1	17.5	16.8	16	14.7	13.6						
KDN 65-250/250	20.7					20.7	20.6	20.4	20	19.5	18.8	18	17	15.9	14.5					
KDN 65-250/263	23.2					23	23	22.9	22.5	22.2	21.6	20.8	19.8	18.6	17.4	16				
KDN 65-315/260	22.3					22.2	22.1	22	21.5	21	20.5	20	19.2	18.4	17	16	15			
KDN 65-315/275	25.1					25.1	25	24.8	24.6	24.1	23.5	23	22.5	21.5	20.5	19.4	18.1			
KDN 65-315/290	28.2					28.2	28.1	28	27.8	27.3	27	26.5	25.5	25	24	23.1	22	19.5		
KDN 65-315/305	31.7					31.5	31.4	31.4	31.3	31.2	30.8	30.4	29.6	29	28	27.2	26.1	23.5		
KDN 65-315/320	35.7					35.4	35.3	35.2	35.1	35	34.8	34.5	33.8	33.5	32.5	31.5	30.8	28	24.8	

CENTRIFUGAL: Performance range

ЦЕНТРОБЕЖНЫЕ НАСОСЫ: Диапазон эксплуатационных характеристик

KDN: Table of selection / Таблица выбора

4 POLES/ПОЛЮСА \cong 1450 1/min

MODEL / МОДЕЛЬ	Q (m³/h)	0	42	48	54	60	66	72	78	84	90	102	114	120	150	180	210	240	270	300	330	360	390	420	
	(l/min)	0	700	800	900	1000	1100	1200	1300	1400	1500	1700	1900	2000	2500	3000	3500	4000	4500	5000	5500	6000	6500	7000	
KDN 80-160/147/127		5.7	5.4	5.25	5.05	4.8	4.6	4.35	4.15	3.85	3.6	3.1	2.5	2.2											
KDN 80-160/153/136		6.4	6.2	6.05	5.85	5.7	5.4	5.15	4.8	4.65	4.4	3.85	3.3	3											
KDN 80-160/153		7.3	7.1	6.9	6.7	6.5	6.3	6	5.75	5.4	5.2	4.55	3.9	3.6											
KDN 80-160/161		8.2	8	7.9	7.75	7.5	7.3	7.05	6.8	6.5	6.25	5.6	4.9	4.6											
KDN 80-160/169		9.1	9	8.85	8.7	8.6	8.35	8.1	7.85	7.6	7.3	6.75	6	5.7											
KDN 80-160/177		10	9.9	9.85	9.8	9.7	9.5	9.3	9.1	8.85	8.7	8.1	7.25	6.9											
KDN 80-200/170		9.2	9.1	9	8.7	8.5	8.2	7.8	7.5	7.1	6.7	5.6													
KDN 80-200/180		10.3	10.2	10.2	10	9.9	9.6	9.2	9	8.6	8.2	7.2													
KDN 80-200/190		11.4	11.4	11.3	11.2	11.1	11	10.7	10.5	10.1	9.8	8.7	6.8												
KDN 80-200/200		12.7	12.6	12.6	12.6	12.5	12.4	12.3	12	11.6	11.4	10.5	9.4	8.8											
KDN 80-200/210		14.1	14	14	14	13.9	13.8	13.7	13.6	13.3	13.1	12.1	11.2	10.6											
KDN 80-200/222		15.9	15.9	15.8	15.7	15.6	15.6	15.5	15.4	15.3	15	14.3	13.4	12.8											
KDN 80-250/220		16	15.9	15.8	15.7	15.6	15.5	15.2	14.9	14.5	13.9	12.8													
KDN 80-250/230		17.3	17.3	17.2	17.1	17	16.9	16.8	16.5	16	15.5	14.3	12.4												
KDN 80-250/240		19	19	19	18.9	18.8	18.7	18.6	18.4	18	17.6	16.6	15.3	14.6											
KDN 80-250/250		20.8	20.7	20.7	20.7	20.6	20.5	20.4	20.3	19.9	19.6	18.6	17.4	16.8											
KDN 80-250/260		22.6	22.5	22.5	22.4	22.3	22.2	22.1	22	21.8	21.4	20.6	19.6	19	15.1										
KDN 80-250/270		24.5	24.4	24.4	24.4	24.3	24.2	24.1	24	23.7	23.3	22.4	21.4	20.7	16.3										
KDN 80-315/275		24.8		24.8	24.8	24.7	24.6	24.5	24.4	24.3	24	23	21.4	20.5											
KDN 80-315/290		27.8		27.8	27.8	27.7	27.7	27.6	27.6	27.5	27.4	26.5	25	24.6	19.1										
KDN 80-315/305		31.4		31.4	31.3	31.2	31.2	31.2	31.2	30.9	30	29	28.5	24											
KDN 80-315/320		34.8		34.7	34.6	34.6	34.5	34.4	34.3	34	33.9	33.8	33.2	32.8	28.8										
KDN 80-315/334		38.3		38.2	38.2	38.2	38.2	38.2	38.1	38	37.9	37.6	37	36.9	33.1	28									
KDN 100-200/180	H (m)	10.1				10.1	10.1	10	9.9	9.7	9.5	9.1	8.5	8.3	7	5.4									
KDN 100-200/190		11.6				11.5	11.4	11.3	11.2	11.1	11	10.5	10.1	10	8.6	7									
KDN 100-200/200		12.9				12.8	12.8	12.8	12.7	12.6	12.5	12.2	11.8	11.6	10.4	8.8									
KDN 100-200/210		14.3				14.2	14.2	14.2	14.2	14.1	14	13.8	13.5	13.3	12.3	10.7	9								
KDN 100-200/219		16				15.7	15.7	15.6	15.6	15.5	15.5	15.3	15.1	15	14	12.5	10.8								
KDN 100-250/220		15.2				14.9	14.9	14.9	14.8	14.7	14.6	14.3	13.7	13.4	11.4										
KDN 100-250/230		16.9				16.7	16.7	16.6	16.5	16.4	16.3	16.1	15.7	15.3	13.6	11.1									
KDN 100-250/240		18.5				18.3	18.3	18.3	18.2	18.1	18	17.9	17.6	17.4	15.7	13.3									
KDN 100-250/250		20.1				20	20	19.9	19.8	19.7	19.6	19.5	19.4	19.2	17.6	15.4									
KDN 100-250/260		22.3				22.1	22.1	22.1	22	21.9	21.8	21.7	21.5	21.4	19.8	17.7	15.1								
KDN 100-250/270		24.3				24.3	24.3	24.3	24.3	24.3	24.2	24.1	23.7	23.5	22.1	20.1	17.3								
KDN 100-315/275		25.1				25	25	25	24.9	24.8	24.7	24.6	24.4	24	22	19									
KDN 100-315/290		28				27.9	27.9	27.9	27.9	27.8	27.7	27.6	27.5	27	25.5	23									
KDN 100-315/305		31.3				31.1	31.1	31.1	31	30.9	30.8	30.7	30.6	30.5	29	27	24								
KDN 100-315/320		34.5				34.4	34.4	34.4	34.4	34.4	34.3	34.2	34.1	34	33	31	28.1								
KDN 100-315/334		38.2				38.2	38.1	38.1	38.1	38	38	37.7	37.5	37.3	36.5	34.8	32	28.8							
KDN 125-250/220		15										14.9	14.9	14.8	14.5	14	13	11.8	10.5	9.2					
KDN 125-250/230		16.6										16.6	16.6	16.5	16.3	15.6	14.8	13.8	12.5	12.3	9.5				
KDN 125-250/240		18.2										18.1	18.1	18.1	18	17.7	16.8	15.8	14.5	13.3	11.6	10.1			
KDN 125-250/250		19.9										19.8	19.8	19.7	19.6	19.4	18.7	17.8	16.6	15.5	14	12.3			
KDN 125-250/260		21.7										21.7	21.6	21.5	21.4	21.3	20.6	19.9	18	17.7	16.3	14.6	13		
KDN 125-250/269		23.9										23.9	23.9	23.8	23.6	23.2	22.7	22.1	22.2	20.2	19	17.5	15.6	14	
KDN 150-200/210/170		8.9										8.9	8.9	8.8	8.7	8.6	8.3	7.9	7.4	6.8	6.2	5.4	4.5		
KDN 150-200/218/182		10.4										10.4	10.4	10.3	10.2	9.9	9.5	9.1	8.6	8.1	7.4	6.6	5.8		
KDN 150-200/218/200	11.4										11.4	11.4	11.4	11.2	10.9	10.6	10.1	9.7	9.2	8.5	7.8	6.9	5.9		
KDN 150-200/218	12.9										12.7	12.7	12.6	12.4	12.1	11.7	11.2	10.7	10.2	9.6	8.8	8	7.1		
KDN 150-200/224	13.8										13.6	13.6	13.5	13.3	13	12.6	12.2	11.7	11.2	10.6	9.9	9.2	8.2		

CENTRIFUGAL: Performance range

ЦЕНТРОБЕЖНЫЕ НАСОСЫ: Диапазон эксплуатационных характеристик

KDN: Table of selection / Таблица выбора

2 POLES/ПОЛЮСА \cong 2900 1/min

MODEL / МОДЕЛЬ	Q (m³/h)	0	6	12	18	24	30	36	42	48	54
	(l/min)	0	100	200	300	400	500	600	700	800	900
KDN 32-125.1/105	H (m)	13.8	13.6	12.3	9.7						
KDN 32-125.1/110		15.5	15.2	13.9	11.5						
KDN 32-125.1/115		17.1	16.8	15.5	13.2						
KDN 32-125.1/120		18.8	18.5	17.3	15.1						
KDN 32-125.1/125		20.5	20.3	19.1	17						
KDN 32-125.1/130		22.3	22.2	21.3	19						
KDN 32-125.1/135		24.4	24.1	23.3	21.1	17.8					
KDN 32-125.1/140		26.5	26.4	25.6	23.4	20.1					
KDN 32-125/115		17.3		16.5	15.1	12.9					
KDN 32-125/120		19		18.2	17	14.9	11.1				
KDN 32-125/125		20.9		20.1	18.9	16.9	13.5				
KDN 32-125/130		22.9		22	21	19.1	16.2				
KDN 32-125/135		24.9		24	22.1	21.5	18.5	14.7			
KDN 32-125/142		27.8		27	26.1	24.5	21.7	18			
KDN 32-160.1/137		21.5	21.2	19.3							
KDN 32-160.1/145		24.7	24.5	22.3	16.5						
KDN 32-160.1/153		28.3	28	26	20.5						
KDN 32-160.1/161		32	31.8	30	25						
KDN 32-160.1/169		36	35.7	34.4	29.5						
KDN 32-160.1/177		39.5	39.3	38.2	34.5	26					
KDN 32-160/137		23.7		22.6	20.7	17.6					
KDN 32-160/145		27		25.8	23.9	21.2	16.9				
KDN 32-160/153		30.4		29.5	27.7	25.8	21.2				
KDN 32-160/161		34		33	31.7	29.1	25.5				
KDN 32-160/169		38		37.3	36	33.6	35.7	26.5			
KDN 32-160/177		41.8		41.5	40.5	38.4	35.3	31.4			
KDN 32-200.1/170		34.3	34.2	31.9	23.5						
KDN 32-200.1/180		39.4	39.2	36.7	30						
KDN 32-200.1/190		45.3	44.7	41.5	35.5						
KDN 32-200.1/200		51.5	51	47.3	41	35					
KDN 32-200.1/207		55.3	55	51.8	46.4	37					
KDN 32-200/170		34		33	31	27	21				
KDN 32-200/180	39		38.5	36.5	32.5	28					
KDN 32-200/190	45		43.5	42	39	34	28.5				
KDN 32-200/200	51		49	48	45	40.5	35				
KDN 32-200/210	57		56	55	52.5	48.5	43	36			
KDN 32-200/219	63		62	61	59	56.5	52.5	46.5	39.5		

CENTRIFUGAL: Performance range

ЦЕНТРОБЕЖНЫЕ НАСОСЫ: Диапазон эксплуатационных характеристик

KDN: Table of selection / Таблица выбора

2 POLES/ПОЛЮСА \cong 2900 1/min

MODEL / МОДЕЛЬ	Q (m³/h)	0	6	12	18	24	30	36	42	48	54	60	66	72	78	84	90	102	114	
	(l/min)	0	100	200	300	400	500	600	700	800	900	1000	1100	1200	1300	1400	1500	1700	1900	
KDN 40-125/115		16.8		13.3	15.6	15	14.3	13.2	12.6	9.8										
KDN 40-125/120		18.5		18	17.5	17	16	15	13.5	11.8										
KDN 40-125/125		20.4		20	19.5	19	18	16.7	15.3	13.5										
KDN 40-125/130		22		21.8	21.5	21	20	19	17.5	15.7	14									
KDN 40-125/135		24.1		24	23.9	23.4	22.5	21.5	20	18.3	16.4									
KDN 40-125/142		26.8		26.6	26.4	26	25.3	24.4	23	21.4	19.4	17								
KDN 40-160/137		23.9			23.8	23	22	20.5	18	15										
KDN 40-160/145		27.5			27.4	27	25.7	24.2	22.1	19.5										
KDN 40-160/153		31.1			31	30.5	29.5	28	26.5	24	21									
KDN 40-160/161		34.5			34.5	34.4	33.7	32.3	30.5	28.5	25.8	22.5								
KDN 40-160/169		38.4			38.4	38.2	38	37	35	33.5	31	28								
KDN 40-160/177		42.6			42.5	42.4	42	41.5	40	38.5	35	33	30							
KDN 40-200/170		33.6			33	32.6	32	30	26.5	22.5										
KDN 40-200/180		38.8			38.5	38	37	35	32.5	29	25									
KDN 40-200/190		43.4			43.1	43	42.7	41	38	35	31.5	27								
KDN 40-200/200		48.7			48.4	48.2	47.5	46.5	44	41.5	38.5	34.5								
KDN 40-200/210		54.3			54.1	54	53.6	53	51	48.5	46	42.5	38							
KDN 40-200/219		60			59.8	59.7	59.4	59	57	55	52.5	49.5	46	40						
KDN 40-250/220		63.1			62.8	62.5	61	59	57	55	52	48								
KDN 40-250/230		69.5			69.3	68.5	67.8	66	63.5	61	58	55	51							
KDN 40-250/240		76.3			76	75.8	75	73	70.5	68	65	62	58.5							
KDN 40-250/250		82.8			82.5	82	81.8	80	78	75.5	72.5	69	66							
KDN 40-250/260		91			90.5	90	89.5	88.5	86.5	84	81	78	74							
KDN 50-125/115	H (m)	17.1					15.9	15.5	15	14.3	13.6	13	12.2	11.5	10.4	9				
KDN 50-125/120		18.2						17.5	17	16.5	16	15.3	14.7	14	13.2	12	11.2	10		
KDN 50-125/125		19.8						19.4	19	18.5	17.9	17.4	16.6	16	15.1	14	13	11.8		
KDN 50-125/130		21.5						21.1	20.8	20.5	19.8	19.2	18.5	17.8	17	16.5	15.2	14		
KDN 50-125/135		23.2						23	22.6	22.3	21.8	21.2	20.6	19.9	19.3	18.4	17.5	16.3	13.7	
KDN 50-125/139		24.7						24.5	24.3	24	23.5	23	22.4	21.6	20.8	20	19.2	18	15.5	
KDN 50-125/144		25.9						26.5	26.4	26.1	25.6	25.1	24.5	24	23.2	22.3	21.5	20.5	17.8	15
KDN 50-160/137		24.2						23.8	23.7	23.5	22.5	22	21	20.3	19	18	16.8	15		
KDN 50-160/145		27.2						27	26.9	26.6	26.4	25.5	25	23.8	23	21.5	20.5	19		
KDN 50-160/153		30.3						30.3	30.2	30	29.9	29.5	28.5	27.7	26.5	25.5	24.5	23		
KDN 50-160/161		33.8						33.7	33.7	33.6	33.6	33.3	32.5	31.8	31	29.8	28.5	27.5		
KDN 50-160/169		37.7						37.7	37.5	37.5	37.4	37	36.2	35.7	35.5	34.2	33	31.5	29	
KDN 50-160/177		41.6						41.5	41.5	41.3	41.2	41	40.6	40.5	39.5	38.8	38	36.7	33.5	
KDN 50-200/170		37.9						37	36.8	36.4	35	34	32	30	27	25				
KDN 50-200/180		42.5						42	41.7	41.4	40.5	39.5	38	36	34	32	29			
KDN 50-200/190		47.2						46.8	46.6	46	45.7	44.5	43.5	42	40	38	35.5	33		
KDN 50-200/200		52.4						52.2	52	18	51.5	50.5	49	47.5	46	44.5	42	40		
KDN 50-200/210		58.4						58.4	58.2	58	57.5	56.5	55.5	54	52.5	51	49	46.5	41.5	
KDN 50-200/219		64						64	64	64	63.5	62.5	61.5	60	58.5	57	55	53	48.5	
KDN 50-250/220		63.7						63.3	63.1	63	62	61	59	57.5	55	53	50	46.5	36	
KDN 50-250/230		69.6						69.3	69	68.8	68.5	68	66	64	62	60	57	54	45	
KDN 50-250/240		76						75.8	75.5	75.3	75	74.5	73	71.5	69	67	65	62	55	
KDN 50-250/250		83.2						83	82.9	82.8	83.5	82	80.5	78.5	77	75	72.5	70	64	
KDN 50-250/263		92.1						92	91.8	91.6	91.5	91.3	89.9	88.5	86.5	84.5	82.5	80	75	61

KDN-DIN EN 733

STANDARDISED CENTRIFUGAL PUMPS BARE SHAFT ON BEDPLATE WITH MOTOR AND COUPLING

СТАНДАРТНЫЕ ЦЕНТРОБЕЖНЫЕ НАСОСЫ С «ГОЛОЙ» ОСЬЮ НА ОСНОВАНИИ С ДВИГАТЕЛЕМ И СОЕДИНЕНИЕМ



Enbloc, centrifugal electric pumps with coupling designed for a wide range of applications such as:

- Supplying water.
- The circulation of hot water for central heating.
- The circulation of cold water for air conditioning and refrigerating.
- The transfer of liquids in agriculture, horticulture and industries.
- The implementation of pumping systems.

These can be connected to a two or four poles electric motor with a coupling and mounted on a pressed metal bedplate in accordance with UNI EN 23661.

Single-stage, cast iron spiral body made to DIN-EN 733 (formerly DIN 24255), cast iron seal holder cover and motor support, flanges in accordance with DIN 2533 (DIN 2532 for DN 200). Impeller in cast iron, encased and dynamically balanced with compensation of the axial thrust by means of balancing holes, operating (on request) with interchangeable consumable rings.

Stainless steel pump shaft supported by two large maintenance-free greased ball bearings, housed inside a special chamber of the support. Standard seal: standardised mechanical seal made to DIN 24960 in carbon/carborundum with O' rings in EPDM. Packing on request with hydraulic lubricating ring and stuffing box in two easily removable parts.

Центробежные стандартные насосы моноблок спроектированы для широкого спектра применений, таких, как:

- Водоснабжение.
- Циркуляция горячей воды отопления.
- Циркуляция холодной воды кондиционирования и охлаждения.
- Перекачивание жидкостей в сельском хозяйстве, садоводстве и промышленности.
- Реализация насосных станций:

Они могут соединяться с электродвигателем с двумя или четырьмя полюсами, монтируются на основание из штампованного листа, соответствующего стандарту UNI EN 23661.

Спиралевидный одноступенчатый корпус насоса из чугуна соответствует стандарту DIN-EN 733 (ex DIN 24255), крышка с прокладками и опора двигателя из чугуна, фланцы соответствуют стандарту DIN 2533 (DIN 2532 для DN 200). Рабочее колесо из чугуна, закрытое и динамически сбалансированное с компенсацией осевого толчка при помощи уравновешивающих отверстий, работающее (по заказу) на заменяемых кольцевых прокладках. Вал насоса из нержавеющей стали, поддерживается двумя шарикоподшипниками большого размера, с пожизненной смазкой и размещенные в специальной камере внутри опоры. Стандартное уплотнительное кольцо: Стандартная механическая прокладка по стандарту DIN 24960 из графита/карбида кремния, с кольцевыми уплотнениями из EPDM По заказу поставляется, с гидравлическим кольцом смазки и сальником из двух частей, для облегчения снятия.

Speed of rotation: 1450 - 2900 1/min.

Operating range: from 1 to 500 m³/h with a head of up to 100 metres.

Pumped liquid: clean, without solid or abrasive substances, not viscous, not aggressive, not crystallised and chemically neutral, close to water characteristics.

Liquid temperature range: from -10°C to +140°C.

Maximum ambient temperature: +40°C.

Maximum working pressure: 16 bar - 1600 kPa (for DN 200 max. 10 bar).

Flanging: PN 16 DIN 2533 - PN 10 DIN 2532 for DN 200

Installation: normally horizontal.

Special versions on request: pumps for liquids other than water.

Packing (can also be fed externally). Other voltages and/or frequencies.

Скорость вращения: 1450 - 2900 1/мин.

Рабочий диапазон: от 1 до 500 м³/ч, с напором до 100 метров.

Перекачиваемая жидкость: чистая, не содержащая твердых или абразивных частиц, не вязкая, не агрессивная, не кристаллизованная, химически нейтральная, близкая по характеристикам к воде.

Диапазон температуры жидкости: от -10°C до +140°C.

Максимальная температура окружающей среды: +40°C.

Максимальное рабочее давление: 16 бар - 1600 кПа (для DN 200 макс. 10 бар).

Фланцы: PN 16 DIN 2533 - PN 10 DIN 2532 для DN 200

Монтаж: обычно в горизонтальном положении.

Специальное исполнение по заказу: Насосы для жидкостей, отличных от воды. (в том числе с подачей извне).

Другая частота и/или напряжение.

MODEL / МОДЕЛЬ		Cast iron impeller Рабочее колесо из чугуна		Bronze impeller Рабочее колесо из бронзы	
		Price / Цена €	Code / Код	Price / Цена €	Code / Код
KDN 32-125.1	4 poles ПОЛЮСА		1D1K11113		1D1K21113
			1D1K11123		1D1K21123
			1D1K11131		1D1K21131
	2 poles ПОЛЮСА		1D1K11141		1D1K21141
			1D1K11151		1D1K21151
			1D1K11161		1D1K21161
			1D1K11172		1D1K21172
	1D1K11182		1D1K21182		
KDN 32-125	4 poles ПОЛЮСА		1D1111113		1D1121113
			1D1111123		1D1121123
			1D1111133		1D1121133
	2 poles ПОЛЮСА		1D1111141		1D1121141
			1D1111151		1D1121151
			1D1111161		1D1121161
			1D1111172		1D1121172
	1D1111182		1D1121182		
KDN 32-160.1	4 poles ПОЛЮСА		1D1L11113		1D1L21113
			1D1L11123		1D1L21123
			1D1L11133		1D1L21133
	2 poles ПОЛЮСА		1D1L11141		1D1L21141
			1D1L11151		1D1L21151
			1D1L11161		1D1L21161
			1D1L11172		1D1L21172
	1D1L11182		1D1L21182		
	1D1L11192		1D1L21192		
KDN 32-160	4 poles ПОЛЮСА		1D1211113		1D1221113
			1D1211123		1D1221123
			1D1211133		1D1221133
	2 poles ПОЛЮСА		1D1211143		1D1221143
			1D1211161		1D1221161
			1D1211172		1D1221172
			1D1211182		1D1221182
	1D1211192		1D1221192		
	1D1211A2		1D12211A2		
KDN 32-200.1	4 poles ПОЛЮСА		1D1M11113		1D1M21113
			1D1M11123		1D1M21123
			1D1M11133		1D1M21133
	2 poles ПОЛЮСА		1D1M11143		1D1M21143
			1D1M11161		1D1M21161
			1D1M11172		1D1M21172
			1D1M11182		1D1M21182
	1D1M11192		1D1M21192		
	1D1M11A2		1D1M211A2		

The price does not include the counterflanges
В цену не включены контрфланцы

MODEL / МОДЕЛЬ		Cast iron impeller Рабочее колесо из чугуна		Bronze impeller Рабочее колесо из бронзы	
		Price / Цена €	Code / Код	Price / Цена €	Code / Код
KDN 32-200	4 poles ПОЛЮСА		1D1311113		1D1321113
			1D1311123		1D1321123
			1D1311133		1D1321133
			1D1311143		1D1321143
			1D1311153		1D1321153
	2 poles ПОЛЮСА		1D1311163		1D1321163
			1D1311172		1D1321172
			1D1311182		1D1321182
			1D1311192		1D1321192
			1D1311A2		1D13211A2
	1D1311B2		1D13211B2		
	1D1311C2		1D13211C2		
KDN 40-125	4 poles ПОЛЮСА		1D2111113		1D2121113
			1D2111123		1D2121123
			1D2111133		1D2121133
			1D2111143		1D2121143
			1D2111151		1D2121151
	2 poles ПОЛЮСА		1D2111161		1D2121161
			1D2111172		1D2121172
			1D2111182		1D2121182
			1D2111192		1D2121192
			1D2111A2		1D21211A2
KDN 40-160	4 poles ПОЛЮСА		1D2211113		1D2221113
			1D2211123		1D2221123
			1D2211133		1D2221133
			1D2211143		1D2221143
			1D2211153		1D2221153
	2 poles ПОЛЮСА		1D2211172		1D2221172
			1D2211182		1D2221182
			1D2211192		1D2221192
			1D2211A2		1D22211A2
			1D2211B2		1D22211B2
	1D2211C2		1D22211C2		
KDN 40-200	4 poles ПОЛЮСА		1D2311123		1D2321123
			1D2311133		1D2321133
			1D2311143		1D2321143
			1D2311153		1D2321153
			1D2311163		1D2321163
	2 poles ПОЛЮСА		1D2311174		1D2321174
			1D2311182		1D2321182
			1D2311192		1D2321192
			1D2311A2		1D23211A2
			1D2311B2		1D23211B2
	1D2311C2		1D23211C2		
	1D2311D2		1D23211D2		
KDN 40-250	4 poles ПОЛЮСА		1D2411153		1D2421153
			1D2411163		1D2421163
			1D2411174		1D2421174
			1D2411184		1D2421184
			1D2411B2		1D24211B2
	2 poles ПОЛЮСА		1D2411C2		1D24211C2
			1D2411D2		1D24211D2
			1D2411E2		1D24211E2
			1D2411F2		1D24211F2
KDN 50-125	4 poles ПОЛЮСА		1D3111113		1D3121113
			1D3111123		1D3121123
			1D3111133		1D3121133
			1D3111143		1D3121143
			1D3111153		1D3121153
	2 poles ПОЛЮСА		1D3111172		1D3121172
			1D3111182		1D3121182
			1D3111192		1D3121192
			1D3111A2		1D31211A2
			1D3111B2		1D31211B2

The price does not include the counterflanges
В цену не включены контрфланцы

MODEL / МОДЕЛЬ		Cast iron impeller Рабочее колесо из чугуна		Bronze impeller Рабочее колесо из бронзы	
		Price / Цена €	Code / Код	Price / Цена €	Code / Код
KDN 50-160	4 poles ПОЛЮСА		1D3211123		1D3221123
			1D3211133		1D3221133
			1D3211143		1D3221143
			1D3211153		1D3221153
			1D3211163		1D3221163
	2 poles ПОЛЮСА		1D3211174		1D3221174
			1D3211182		1D3221182
			1D3211192		1D3221192
			1D3211A2		1D3221A2
			1D3211B2		1D3221B2
KDN 50-200	4 poles ПОЛЮСА		1D3311133		1D3321133
			1D3311143		1D3321143
			1D3311153		1D3321153
			1D3311163		1D3321163
			1D3311174		1D3321174
	2 poles ПОЛЮСА		1D3311184		1D3321184
			1D3311A2		1D3321A2
			1D3311B2		1D3321B2
			1D3311C2		1D3321C2
			1D3311D2		1D3321D2
KDN 50-250	4 poles ПОЛЮСА		1D3411163		1D3421163
			1D3411174		1D3421174
			1D3411184		1D3421184
			1D3411194		1D3421194
			1D3411C2		1D3421C2
	2 poles ПОЛЮСА		1D3411D2		1D3421D2
			1D3411E2		1D3421E2
			1D3411F2		1D3421F2
			1D3411G2		1D3421G2
			1D3411H2		1D3421H2
KDN 65-125	4 poles ПОЛЮСА		1D4111113		1D4121113
			1D4111123		1D4121123
			1D4111133		1D4121133
			1D4111143		1D4121143
			1D4111153		1D4121153
	2 poles ПОЛЮСА		1D4111163		1D4121163
			1D4111182		1D4121182
			1D4111192		1D4121192
			1D4111A2		1D4121A2
			1D4111B2		1D4121B2
KDN 65-160	4 poles ПОЛЮСА		1D4211133		1D4221133
			1D4211143		1D4221143
			1D4211153		1D4221153
			1D4211163		1D4221163
			1D4211174		1D4221174
	2 poles ПОЛЮСА		1D4211192		1D4221192
			1D4211A2		1D4221A2
			1D4211B2		1D4221B2
			1D4211C2		1D4221C2
			1D4211D2		1D4221D2
	1D4211E2		1D4221E2		

The price does not include the counterflanges
В цену не включены контрфланцы

MODEL / МОДЕЛЬ		Cast iron impeller Рабочее колесо из чугуна		Bronze impeller Рабочее колесо из бронзы	
		Price / Цена €	Code / Код	Price / Цена €	Code / Код
KDN 65-200	4 poles ПОЛЮСА		1D4311143		1D4321143
			1D4311153		1D4321153
			1D4311163		1D4321163
			1D4311174		1D4321174
			1D4311184		1D4321184
	2 poles ПОЛЮСА		1D4311194		1D4321194
			1D4311B2		1D4321B2
			1D4311C2		1D4321C2
			1D4311D2		1D4321D2
			1D4311E2		1D4321E2
KDN 65-250	4 poles ПОЛЮСА		1D4411174		1D4421174
			1D4411184		1D4421184
			1D4411194		1D4421194
			1D4411A4		1D4421A4
			1D4411B4		1D4421B4
	2 poles ПОЛЮСА		1D4411E2		1D4421E2
			1D4411F2		1D4421F2
			1D4411G2		1D4421G2
			1D4411H2		1D4421H2
			1D4411K2		1D4421K2
KDN 65-315	4 poles ПОЛЮСА		1D4511194		1D4521194
			1D4511A4		1D4521A4
			1D4511B4		1D4521B4
			1D4511C4		1D4521C4
			1D4511D4		1D4521D4
	2 poles ПОЛЮСА		1D4511H2		1D4521H2
			1D4511K2		1D4521K2
			1D4511L2		1D4521L2
			-		1D4521M2
			-		1D4521N2
KDN 80-160	4 poles ПОЛЮСА		1D5211143		1D5221143
			1D5211153		1D5221153
			1D5211163		1D5221163
			1D5211174		1D5221174
			1D5211184		1D5221184
	2 poles ПОЛЮСА		1D5211194		1D5221194
			1D5211A2		1D5221A2
			1D5211B2		1D5221B2
			1D5211C2		1D5221C2
			1D5211D2		1D5221D2
KDN 80-200	4 poles ПОЛЮСА		1D5311153		1D5321153
			1D5311163		1D5321163
			1D5311174		1D5321174
			1D5311184		1D5321184
			1D5311194		1D5321194
	2 poles ПОЛЮСА		1D5311A4		1D5321A4
			1D5311B4		1D5321B4
			1D5311D2		1D5321D2
			1D5311E2		1D5321E2
			1D5311F2		1D5321F2
	1D5311G2		1D5321G2		
	1D5311H2		1D5321H2		
	1D5311K2		1D5321K2		
	1D5311L2		1D5321L2		

The price does not include the counterflanges
В цену не включены контрфланцы

MODEL / МОДЕЛЬ		Cast iron impeller Рабочее колесо из чугуна		Bronze impeller Рабочее колесо из бронзы	
		Price / Цена €	Code / Код	Price / Цена €	Code / Код
KDN 80-250	4 poles ПОЛЮСА		1D5411184		1D5421184
			1D5411194		1D5421194
			1D54111A4		1D54211A4
			1D54111B4		1D54211B4
			1D54111C4		1D54211C4
	2 poles ПОЛЮСА		1D54111G2		1D54211G2
			1D54111H2		1D54211H2
			1D54111K2		1D54211K2
			1D54111L2		1D54211L2
			1D54111M2		1D54211M2
KDN 80-315	4 poles ПОЛЮСА		1D55111A4		1D55211A4
			1D55111B4		1D55211B4
			1D55111C4		1D55211C4
			1D55111D4		1D55211D4
			1D55111E4		1D55211E4
	2 poles ПОЛЮСА		1D55111F4		1D55211F4
			1D55111K2		1D55211K2
			-		1D55211L2
			-		1D55211M2
			-		1D55211N2
KDN 100-200	4 poles ПОЛЮСА		1D6311174		1D6321174
			1D6311184		1D6321184
			1D6311194		1D6321194
			1D63111A4		1D63211A4
			1D63111B4		1D63211B4
	2 poles ПОЛЮСА		1D63111C4		1D63211C4
			1D63111F2		1D63211F2
			1D63111G2		1D63211G2
			1D63111H2		1D63211H2
			1D63111K2		1D63211K2
KDN 100-250	4 poles ПОЛЮСА		1D6411194		1D6421194
			1D64111A4		1D64211A4
			1D64111B4		1D64211B4
			1D64111C4		1D64211C4
			1D64111D4		1D64211D4
	2 poles ПОЛЮСА		1D64111H2		1D64211H2
			1D64111K2		1D64211K2
			1D64111L2		1D64211L2
			1D64111M2		1D64211M2
			1D64111N2		1D64211N2
KDN 100-315	4 poles ПОЛЮСА		1D65111B4		1D65211B4
			1D65111C4		1D65211C4
			1D65111D4		1D65211D4
			1D65111E4		1D65211E4
			1D65111F4		1D65211F4
			1D65111G4		1D65211G4
KDN 125-250	4 poles ПОЛЮСА		1D74111A4		1D74211A4
			1D74111B4		1D74211B4
			1D74111C4		1D74211C4
			1D74111D4		1D74211D4
			1D74111E4		1D74211E4
			1D74111F4		1D74211F4
KDN 150-200	4 poles ПОЛЮСА		1D8311194		1D8321194
			1D83111A4		1D83211A4
			1D83111B4		1D83211B4
			1D83111C4		1D83211C4
			1D83111D4		1D83211D4

The price does not include the counterflanges

В цену не включены контрфланцы

KDN - STANDARDISED CENTRIFUGAL PUMPS IN ACCORDANCE WITH DIN-EN 733 BARE SHAFT
KDN – Центробежные стандартные насосы, по стандарту DIN-EN 733 с «голой» осью

MODEL / МОДЕЛЬ	Cast iron impeller Рабочее колесо из чугуна		Bronze impeller Рабочее колесо из бронзы	
	Price / Цена €	Code / Код	Price / Цена €	Code / Код
KDN 32-125.1		1D1K11000		1D1K21000
KDN 32-125		1D1111000		1D1121000
KDN 32-160.1		1D1L11000		1D1L21000
KDN 32-200.1		1D1211000		1D1221000
KDN 32-200		1D1M11000		1D1M21000
KDN 32-160		1D1311000		1D1321000
KDN 40-125		1D2111000		1D2121000
KDN 40-160		1D2211000		1D2221000
KDN 40-200		1D2311000		1D2321000
KDN 40-250		1D2411000		1D2421000
KDN 50-125		1D3111000		1D3121000
KDN 50-160		1D3211000		1D3221000
KDN 50-200		1D3311000		1D3321000
KDN 50-250		1D3411000		1D3421000
KDN 65-125		1D4111000		1D4121000
KDN 65-160		1D4211000		1D4221000
KDN 65-200		1D4311000		1D4321000
KDN 65-250		1D4411000		1D4421000
KDN 65-315		1D4511000		1D4521000
KDN 80-160		1D5211000		1D5221000
KDN 80-200		1D5311000		1D5321000
KDN 80-250		1D5411000		1D5421000
KDN 80-315		1D5511000		1D5521000
KDN 100-200		1D6311000		1D6321000
KDN 100-250		1D6411000		1D6421000
KDN 100-315		1D6511000		1D6521000
KDN 125-250		1D7411000		1D7421000
KDN 150-250		1D8311000		1D8321000

The price does not include the counterflanges
 В цену не включены контрфланцы

SPECIAL VERSIONS СПЕЦИАЛЬНЫЕ МОДЕЛИ

KDN STANDARDISED CENTRIFUGAL PUMPS WITH COUPLING IN ACCORDANCE WITH DIN-EN 733
KDN центробежные стандартные электронасосы с соединением, по стандарту DIN-EN 733

VERSIONS WITH SPECIAL MECHANICAL SEALS / СПЕЦИАЛЬНЫЕ МЕХАНИЧЕСКИЕ ПРОКЛАДКИ

MODEL МОДЕЛЬ	PRICE* / ЦЕНА* € SEAL BQQE ⁽¹⁾ Прокладка BQQE ⁽¹⁾	PRICE* / ЦЕНА* € SEAL BQQV ⁽²⁾ Прокладка BQQV ⁽²⁾	PRICE* / ЦЕНА* € SEAL BAQV ⁽³⁾ Прокладка BAQV ⁽³⁾	PRICE* / ЦЕНА* € SEAL SNE ⁽⁴⁾ Прокладка SNE ⁽⁴⁾	PRICE* / ЦЕНА* € SEAL SNO ⁽⁵⁾ Прокладка SNO ⁽⁵⁾	PRICE* / ЦЕНА* € SEAL SNF ⁽⁶⁾ Прокладка SNF ⁽⁶⁾
KDN 32-125.1						
KDN 32-125						
KDN 32-160.1						
KDN 32-160						
KDN 32-200.1						
KDN 32-200						
KDN 40-125						
KDN 40-160						
KDN 40-200						
KDN 40-250						
KDN 50-125						
KDN 50-160						
KDN 50-200						
KDN 50-250						
KDN 65-125						
KDN 65-160						
KDN 65-200						
KDN 65-250						
KDN 65-315						
KDN 80-160						
KDN 80-200						
KDN 80-250						
KDN 80-315						
KDN 100-200						
KDN 100-250						
KDN 100-315						
KDN 125-250						
KDN 150-200						

⁽¹⁾ Ref. Technical catalogue / Mechanical seal with rubber bellows: Silicon carbide / Silicon carbide / EPDM

⁽²⁾ Ref. Technical catalogue / Mechanical seal with rubber bellows: Silicon carbide / Silicon carbide / Viton

⁽³⁾ Ref. Technical catalogue / Mechanical seal with rubber bellows: Carbon / Silicon carbide / Viton

⁽⁴⁾ Ref. Technical catalogue SNE / Stuffing box not cooled

⁽⁵⁾ Ref. Technical catalogue SNO / Stuffing box not cooled without hydraulic ring

⁽⁶⁾ Ref. Technical catalogue SNF / Stuffing box not cooled with external liquid

⁽¹⁾ См. Технический каталог / Прокладка "Модель BQQE" = прокладка с гармошкой из резины: Карбид кремния / карбид кремния / EPDM

⁽²⁾ См. Технический каталог / Прокладка "Модель BQQV" = с гармошкой резины: Карбид кремния / карбид кремния / Витон

⁽³⁾ См. Технический каталог / Прокладка "Модель BAQV" = с гармошкой из резины: Графит / карбид кремния / Витон

⁽⁴⁾ См. Технический каталог SNE = Прокладка с пенькой с сальником не охлажденная

⁽⁵⁾ См. Технический каталог SNO = Прокладка с пенькой с сальником не охлажденная без гидравлического кольца

⁽⁶⁾ См. Технический каталог SNF = Прокладка с пенькой с сальником смазывается внешней жидкостью

* The price is to be added to the price list of electric pumps in the standard version. / Цену следует добавить к стоимости стандартных электронасосов.

SPECIAL VERSIONS СПЕЦИАЛЬНЫЕ МОДЕЛИ

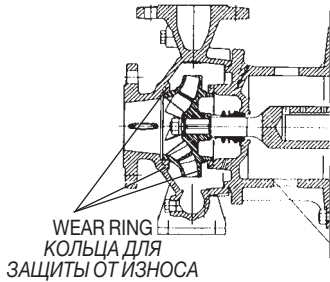
CATARPHORESIS COATING
Покрывание с обработкой катафорезом, для частей в контакте с водой

MODEL / МОДЕЛЬ	PRICE* / ЦЕНА* €
NKM-G / NKP-G 32/125.1 KDN 32-125.1	
NKM-G / NKP-G 32/125 KDN 32-125	
NKM-G / NKP-G 32/160.1 KDN 32-160.1	
NKM-G / NKP-G 32/160 KDN 32-160	
NKM-G / NKP-G 32/200.1 KDN 32-200.1	
NKM-G / NKP-G 32/200 KDN 32-200	
NKM-G / NKP-G 40/125 KDN 40-125	
NKM-G / NKP-G 40/160 KDN 40-160	
NKM-G / NKP-G 40/200 KDN 40-200	
NKM-G / NKP-G 40/250 KDN 40-250	
NKM-G / NKP-G 50/125 KDN 50-125	
NKM-G / NKP-G 50/160 KDN 50-160	
NKM-G / NKP-G 50/200 KDN 50-200	
NKM-G / NKP-G 50/250 KDN 50-250	
NKM-G / NKP-G 65/125 KDN 65-125	
NKM-G / NKP-G 65/160 KDN 65-160	
NKM-G / NKP-G 65/200 KDN 65-200	
NKM-G / NKP-G 65/250 KDN 65-250	
NKM-G / NKP-G 65/315 KDN 65-315	
NKM-G / NKP-G 80/160 KDN 80-160	
NKM-G / NKP-G 80/200 KDN 80-200	
NKM-G / NKP-G 80/250 KDN 80-250	
NKM-G / NKP-G 80/315 KDN 80-315	
NKM-G / NKP-G 100/200 KDN 100-200	
NKM-G / NKP-G 100/250 KDN 100-250	
NKM-G / NKP-G 100/315 KDN 100-315	
NKM-G / NKP-G 125/250 KDN 125-250	
NKM-G / NKP-G 150/200 KDN 150-200	

* The price is to be added to the price list of electric pumps in the standard version. / Цену следует добавить к стоимости стандартных электронасосов.

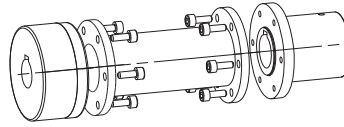
SPECIAL VERSIONS / СПЕЦИАЛЬНЫЕ МОДЕЛИ

WITH WEAR RING / С КОЛЬЦАМИ ДЛЯ ЗАЩИТЫ ОТ ИЗНОСА



MODEL / МОДЕЛЬ	PRICE* / ЦЕНА* €
KDN 32-125.1	
KDN 32-125	
KDN 32-160.1	
KDN 32-160	
KDN 32-200.1	
KDN 32-200	
KDN 40-125	
KDN 40-160	
KDN 40-200	
KDN 40-250	
KDN 50-125	
KDN 50-160	
KDN 50-200	
KDN 50-250	
KDN 65/125	
KDN 65-160	
KDN 65-200	
KDN 65-250	
KDN 65-315	
KDN 80-160	
KDN 80-200	
KDN 80-250	
KDN 80-315	
KDN 100-200	
KDN 100-250	
KDN 100-315	
KDN 125-250	
KDN 150-200	

WITH SPACER COUPLING / С РАЗДЕЛИТЕЛЬНЫМ СОЕДИНЕНИЕМ



MODEL / МОДЕЛЬ	PRICE* / ЦЕНА* €
KDN 32-125.1	
KDN 32-125	
KDN 32-160.1	
KDN 32-160	
KDN 32-200.1	
KDN 32-200	
KDN 40-125	
KDN 40-160	
KDN 40-200	
KDN 40-250	
KDN 50-125	
KDN 50-160	
KDN 50-200	
KDN 50-250	
KDN 65/125	
KDN 65-160	
KDN 65-200	
KDN 65-250	
KDN 65-315	
KDN 80-160	
KDN 80-200	
KDN 80-250	
KDN 80-315	
KDN 100-200	
KDN 100-250	
KDN 100-315	
KDN 125-250	
KDN 150-200	

* The price is to be added to the price list of electric pumps in the standard version. / *Цену следует добавить к стоимости стандартных электронасосов.

KIT COUNTERFLANGES / КОМПЛЕКТ КОНТРОФЛАНЦЕВ

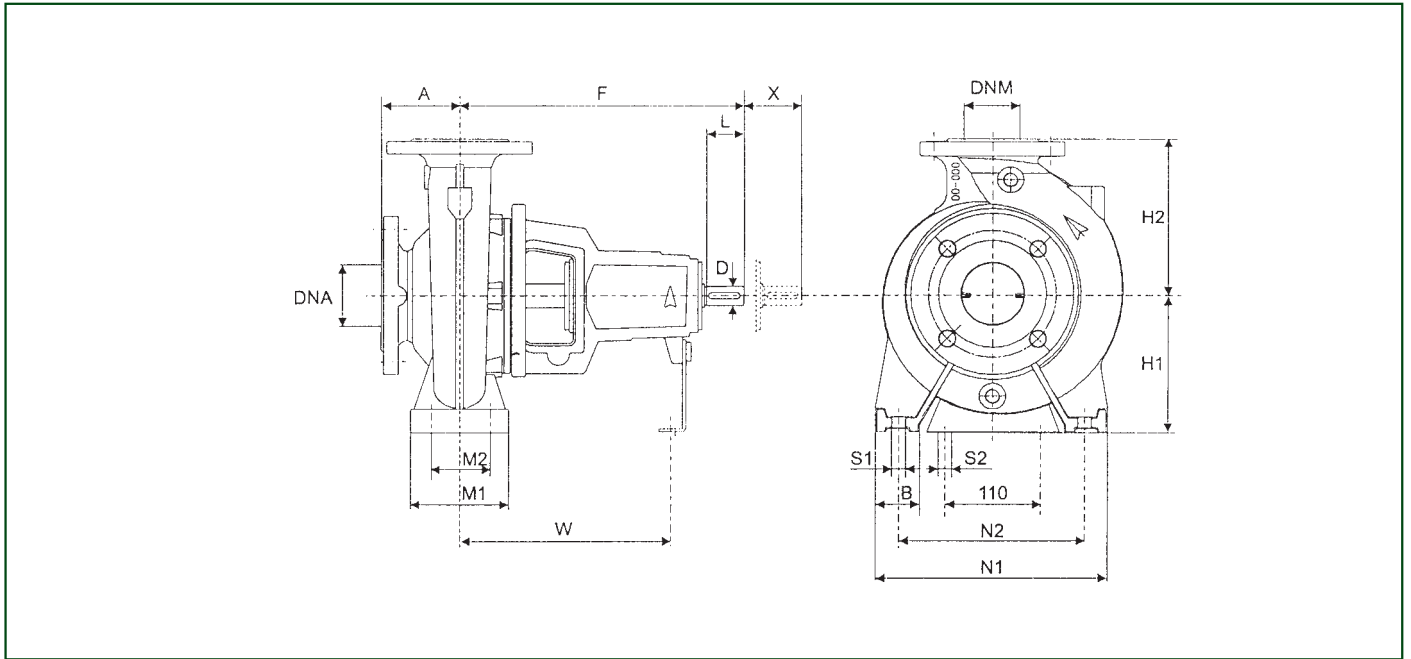
The kit comprises suction and delivery counterflanges with the relative seals, screws and nuts required by the size of the pump to which it refers.

Комплект состоит из контрфланцев всасывания и подачи, с прокладками, винтами и гайками, необходимыми для размера насоса, к которому они прилагаются.

MODEL / МОДЕЛЬ	PRICE / ЦЕНА €	CODE / КОД	COUNTERFLANGES AND SEALS КОНТРОФЛАНЦЫ И ПРОКЛАДКИ	THREADED РЕЗЬБОВЫЕ	MATERIAL МАТЕРИАЛ	PN
DN 32		109620520	1 X DN 32 + 1 X DN 50	Threaded / Резьбовые	STEEL / СТАЛЬ	16
DN 40		109620530	1 X DN 40 + 1 X DN 65	Threaded / Резьбовые	STEEL / СТАЛЬ	16
DN 50		109620540	1 X DN 50 + 1 X DN 65	Threaded / Резьбовые	STEEL / СТАЛЬ	16
DN 65		109620550	1 X DN 65 + 1 X DN 80	Threaded / Резьбовые	STEEL / СТАЛЬ	16
DN 32		109620400	1 X DN 32 + 1 X DN 50	To be welded / Для сварки	STEEL / СТАЛЬ	16
DN 40		109620410	1 X DN 40 + 1 X DN 65	To be welded / Для сварки	STEEL / СТАЛЬ	16
DN 50		109620420	1 X DN 50 + 1 X DN 65	To be welded / Для сварки	STEEL / СТАЛЬ	16
DN 50/1		60115139	1 X DN 50 + 1 X DN 80	To be welded / Для сварки	STEEL / СТАЛЬ	16
DN 65		109620430	1 X DN 65 + 1 X DN 80	To be welded / Для сварки	STEEL / СТАЛЬ	16
DN 65/1		60115140	1 X DN 65 + 1 X DN 100	To be welded / Для сварки	STEEL / СТАЛЬ	16
DN 80		109620440	1 X DN 80 + 1 X DN 100	To be welded / Для сварки	STEEL / СТАЛЬ	16
DN 80/1		60115141	1 X DN 80 + 1 X DN 125	To be welded / Для сварки	STEEL / СТАЛЬ	16
DN 100		109620450	1 X DN 100 + 1 X DN 125	To be welded / Для сварки	STEEL / СТАЛЬ	16
DN 125		109620460	1 X DN 125 + 1 X DN 150	To be welded / Для сварки	STEEL / СТАЛЬ	16
DN 150		109620470	1 X DN 150 + 1 X DN 200	To be welded / Для сварки	STEEL / СТАЛЬ	16 (10 X DN 200)
DN 200		109620480	1 X DN 200 + 1 X DN 250	To be welded / Для сварки	STEEL / СТАЛЬ	16 (10 X DN 200)
DN 250/1		109620500	1 X DN 200 + 1 X DN 250	To be welded / Для сварки	STEEL / СТАЛЬ	16
DN 300		109620510	1 X DN 300 + 1 X DN 350	To be welded / Для сварки	STEEL / СТАЛЬ	16
DN 350		60115142	1 X DN 350 + 1 X DN 400	To be welded / Для сварки	STEEL / СТАЛЬ	16



DIMENSIONS AND WEIGHTS / РАЗМЕРЫ И ВЕС



MODEL МОДЕЛЬ	$\eta_{\max} 1450 \text{ min}^{-1}$		$\eta_{\max} 2900 \text{ min}^{-1}$		FLANGE DIM. РАЗ. ФЛАНЦЕВ		PUMP DIMENSIONS РАЗМЕР НАСОСА				SUPPORT DIMENSIONS РАЗМЕР ОПОР					BOLT HOLES ОТВЕРСТИЯ ДЛЯ БОЛТОВ		SHAFT END КОНЕЦ ВАЛА		X													
	Q m ³ /h	H m	Q m ³ /h	H m	DNA	DNM	A	F	H1	H2	B	M1	M2	N1	N2	W	S1	S2	D		L												
KDN 32-125.1	10.5	5.5	20.9	22	50	32	80	360	112	140	50	100	70	190	140	260	M12	M12	24	50	100												
KDN 32-125	13.6	5.8	28	22.8					132	160				240	190																		
KDN 32-160.1	8.7	8.3	17.5	33					160	180																							
KDN 32-160	15.9	8.6	31	34																													
KDN 32-200.1	8.5	11.4	18	45																													
KDN 32-200	17.7	13.2	35.5	52.5																													
KDN 40-125	21.8	5.6	46	21.5	65	40	80	360	112	140	50	100	70	210	160	260	M12	M12	24	50	100												
KDN 40-160	25.8	9.2	50	37.2			132		160	240				190																			
KDN 40-200	29	12.6	57	51			160		180	265				212																			
KDN 40-250	31	19.1	62	77			180		225	65				125	95							320	250										
KDN 50-125	41	5.4	83	21.5	65	50	100	360	132	160	50	100	70	240	190	260	M12	M12	24	50	100												
KDN 50-160	43.3	9.3	87.5	37					160	180				265	212																		
KDN 50-200	41	14	81	56					180	200																							
KDN 50-250	49	19.1	100	76					180	225				65	125							95	320	250									
KDN 65-125	57	5.2	114	21					80	65				100	360							160	180	65	125	95	280	212	260	M12	M12	24	50
KDN 65-160	61	8.6	121	34.5	180	225	320	250																									
KDN 65-200	62	14.8	123	59	200	250	360	280																									
KDN 65-250	65.4	20	129	81	225	280	80	160			120	400	315			340	M16		32	80	140												
KDN 65-315	84	31.5	-	-																													
KDN 80-160	101	8.1	195	33.5	100	80	125	360	180	225	65	125	95	320	250	260	M12	M12	24	50	140												
KDN 80-200	101	14.4	200	57.5					200	250				345	280																		
KDN 80-250	103	23	215	88					220	280				80	160							120	400	315	340	M16		32	80	140			
KDN 80-315	136	35	-	-					250	315																							
KDN 100-200	163	13.4	315	53					125	100				140	360							280											
KDN 100-250	159	21.8	313	87	125	100	140	470	225	280	80	160	120	400	315	340	M16	M12	32	80	140												
KDN 100-315	187	34.1	-	-					250	315																							
KDN 125-250	289	20.5	-	-					150	125				140	470							250	355	80	160	120	400	315	340	M16	M12	32	80
KDN 150-200	378	10	-	-	200	150	160	470	280	400	100	200	150	550	450	340	M20	M12	32	80	140												

KDN

STANDARDISED CENTRIFUGAL PUMPS BARE SHAFT ON BASEPLATE WITH MOTOR AND COUPLING

УВЕЛИЧЕННЫЕ СТАНДАРТНЫЕ ЦЕНТРОБЕЖНЫЕ НАСОСЫ С ГОЛОЙ ОСЬЮ НА ОСНОВАНИИ С ДВИГАТЕЛЕМ И СОЕДИНЕНИЕМ



Enbloc, centrifugal motor-driven pumps with coupling designed for a wide range of applications such as:

- District heating
- Water supply
- Airconditioning
- Cooling plants
- Industry
- Fire fighting
- Environment engineering

Non self-priming single-stage centrifugal pump body with axial suction port, radial discharge port and horizontal shaft components.

The KDN pumps have dimensions and nominal performances according to EN 733 (10 bar) but are designed for 16 bar operation wherever the shaft seal type allows it.

The suction and discharge flanges are according to EN 7005 PN 10 or 16. All pumps are dynamically balanced according to ISO 1940 class 6.3 and impellers are hydraulically balanced.

Центробежные насосы моноблок с соединением спроектированы для широкого спектра применений, таких, как:

- Центральное отопление
- Водоснабжение
- Кондиционирование
- Охлаждение
- Промышленность
- Противопожарные средства
- Экологическая инженерия

Центробежный электронасос с винтовым корпусом, не самозаливающийся одноступенчатый с осевым всасыванием и радиальным напором, с расположенными по горизонтальной оси компонентами. Насосы KDN имеют НОМИНАЛЬНЫЕ размеры и эксплуатационные характеристики PN 16.

Фланцы всасывания и напорные фланцы соответствуют стандарту EN 7005 PN 10 или 16. Все насосы динамически уравновешены по стандарту ISO 1940 класса 6.3 и рабочие колеса гидравлически сбалансированы.

Pump and motor are mounted on a common baseplate in accordance with EN 23 661 in all-welded steel. Oversizes have profile base frames.

Due to the pump design the complete bearing assembly including impeller and shaft seal can be dismantled without removing the pump body from the pipe system (back-pull-out design).

Flow rate: max 2000 m³/h

Head: max 150 m

Liquid temperature: from -10°C to +140°C

Operating pressure: max 10 or 16 bar

Inlet pressure: max 9 bar

max 7 bar for 400 mm impellers or bigger

Насос и двигатель установлены на общем основании по стандарту EN 23 661 из сваренной внутри стали.

Увеличенные насосы снабжены основанием из профилей из сварной стали.

Благодаря особому проектированию насоса, подшипники, рабочее колесо и прокладка могут быть демонтированы, не снимая корпус насоса с труб (back-pull-out design).

Расход: макс. 2000 м³/ч

Напор: макс. 150 м

Температура жидкости: от -10°C до +140°C

Рабочее давление: макс. 10 или 16 бар

Устье всасывания: макс. 9 бар

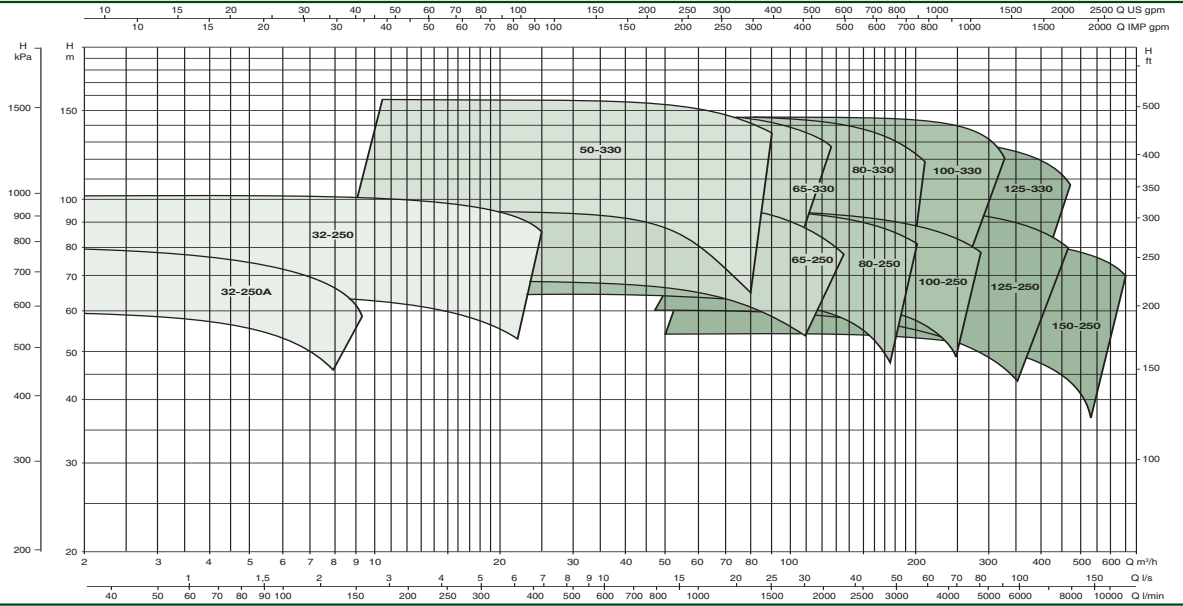
макс. 7 бар для рабочих колес от 400 мм и более

Complete electric pump or liquid end only is available - Please contact our sales network for a price quotation

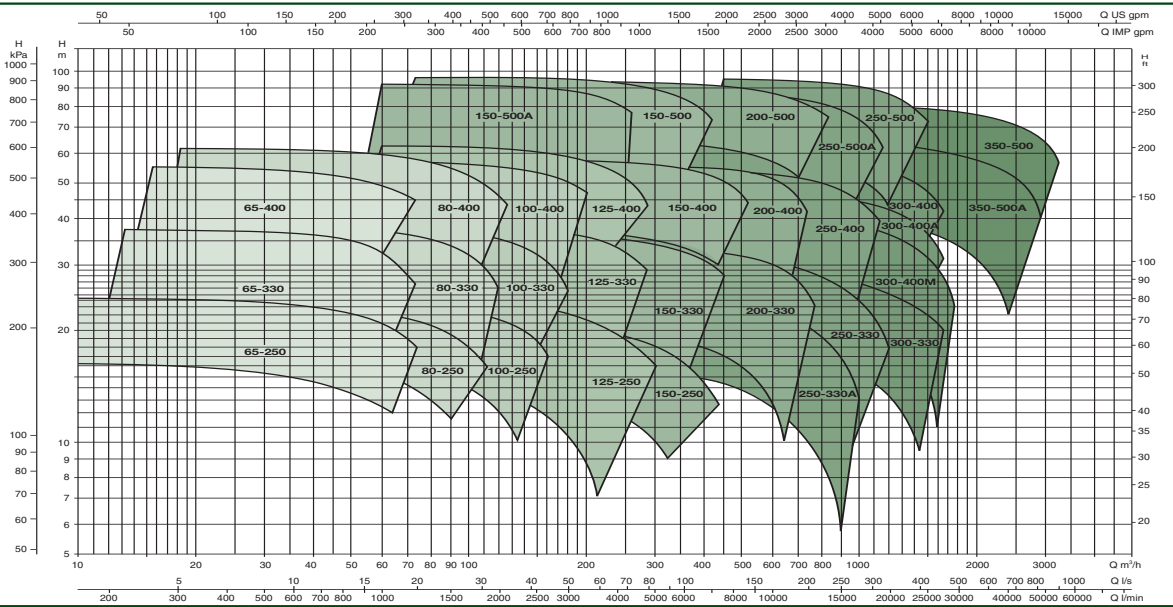
Имеется укомплектованный электронасос или только гидравлическая часть – за расценками просим обращаться в нашу торговую сеть

HYDRAULIC DATA / ТЕХНИЧЕСКИЕ ХАРАКТЕРИСТИКИ

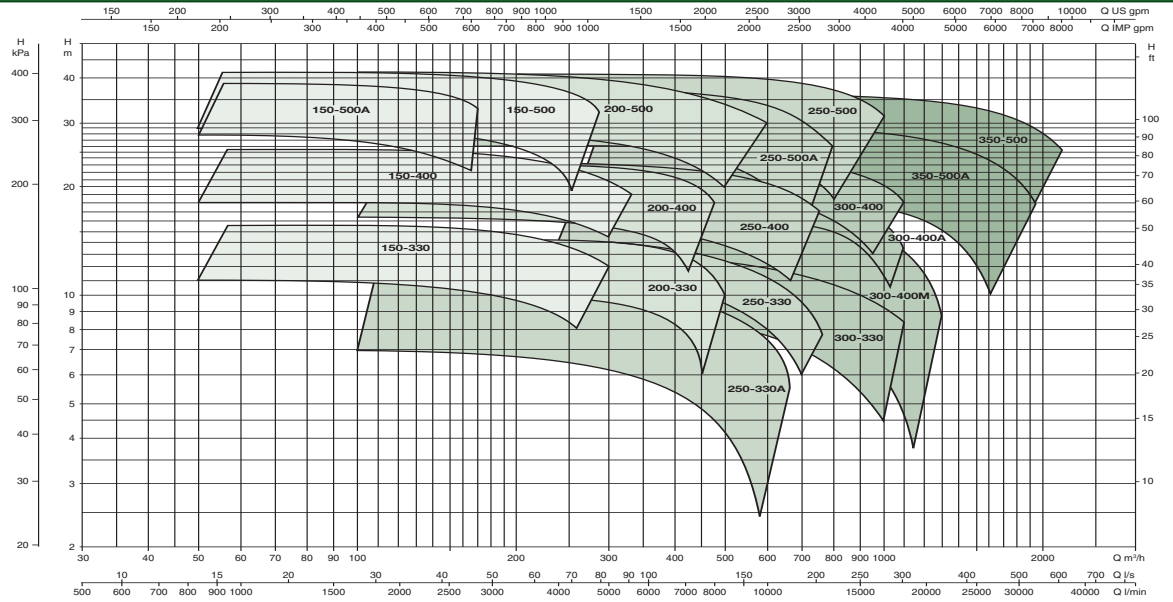
2 POLES
2 ПОЛЮСА
(2900 1/min)



4 POLES
4 ПОЛЮСА
(1450 1/min)



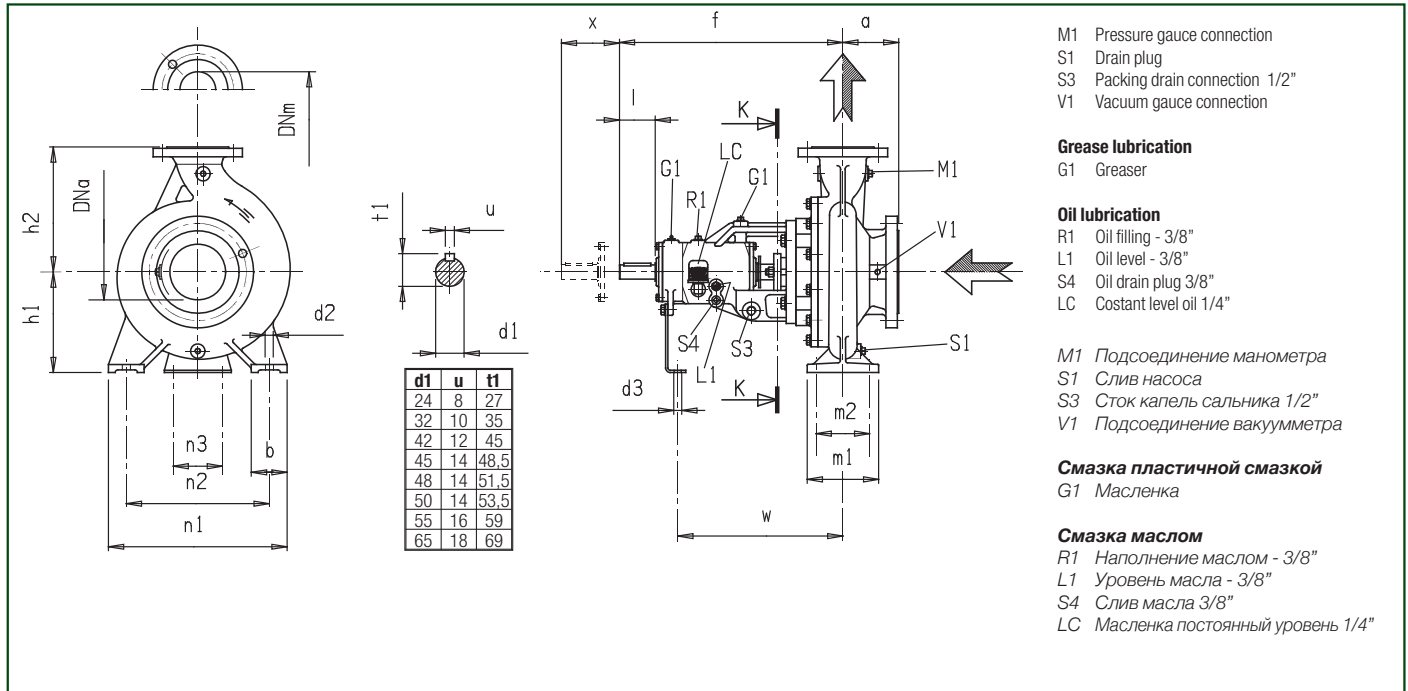
6 POLES
6 ПОЛЮСА
(970 1/min)



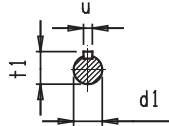
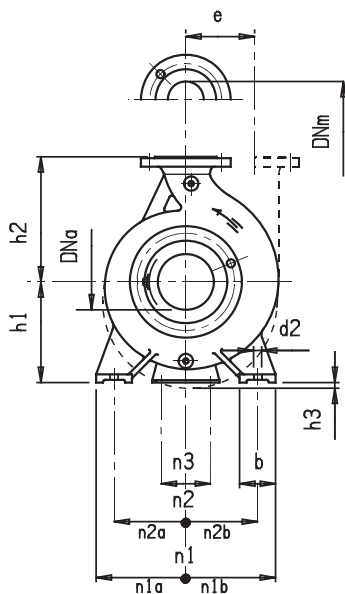
DAB PUMPS reserve the right to make modifications without prior notice
DAB PUMPS оставляет за собой право вносить изменения без предварительного извещения



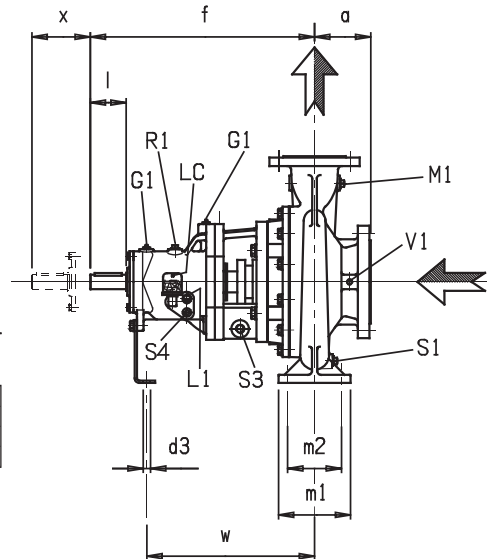
DIMENSIONS AND WEIGHTS / РАЗМЕРЫ И ВЕС



MODEL / МОДЕЛЬ	Supp. Пост.	DNa	DNm	a	f	h1	h2	b	m1	m2	n1	n2	d2	n3	d3	w	x	d1	l	M1	S1	V1	Kg
KDN 32-250	2	50	32	100	500	180	225	65	125	95	320	250	14	110	14	370	100	32	80	3/8"	1/4"	1/4"	78
KDN 32-250A	2	50	32	100	500	180	225	65	125	95	320	250	14	110	14	370	100	32	80	3/8"	1/4"	1/4"	78
KDN 50-330	2	80	50	125	500	225	280	65	125	95	345	280	14	110	14	370	100	32	80	3/8"	1/4"	1/4"	116
KDN 65-250	2	100	65	125	500	200	250	80	160	120	360	280	18	110	14	370	140	32	80	3/8"	1/4"	1/4"	88
KDN 65-330	3	100	65	125	530	225	280	80	160	120	400	315	18	110	14	370	140	42	110	3/8"	1/4"	1/4"	152
KDN 65-400	3	100	65	125	530	280	355	80	160	120	435	355	18	110	14	370	140	42	110	3/8"	1/4"	1/4"	180
KDN 80-250	2	125	80	125	500	225	280	80	160	120	400	315	18	110	14	370	140	32	80	3/8"	3/8"	3/8"	100
KDN 80-330	3	125	80	125	530	250	315	80	160	120	400	315	18	110	14	370	140	42	110	3/8"	3/8"	3/8"	155
KDN 80-400	3	125	80	125	530	280	355	80	160	120	435	365	18	110	14	370	140	42	110	3/8"	3/8"	3/8"	185
KDN 100-250	3	125	100	140	530	225	280	80	160	120	400	315	18	110	14	370	140	42	110	3/8"	3/8"	3/8"	130
KDN 100-330	3	125	100	140	530	250	315	80	160	120	400	315	18	110	14	370	140	42	110	3/8"	3/8"	3/8"	170
KDN 100-400	3	125	100	140	530	280	355	100	200	150	500	400	23	110	14	370	140	42	110	1/2"	3/8"	3/8"	200
KDN 125-250	3	150	125	140	530	250	355	80	160	120	400	315	18	110	14	370	140	42	110	1/2"	3/8"	3/8"	140
KDN 125-330	3	150	125	140	530	280	355	100	200	150	500	400	23	110	14	370	140	42	110	1/2"	3/8"	3/8"	190
KDN 125-400	3	150	125	140	530	315	400	100	200	150	500	400	23	110	14	370	140	42	110	1/2"	3/8"	3/8"	220
KDN 150-250	3	200	150	160	530	280	375	100	200	150	500	400	23	110	14	370	180	42	110	1/2"	1/2"	3/8"	180
KDN 150-330	4	200	150	160	670	315	400	100	200	150	550	450	22	140	18	500	180	55 ¹⁾	110	1/2"	1/2"	3/8"	255
KDN 150-400	4	200	150	160	670	315	450	100	200	150	550	450	22	140	18	500	180	55 ¹⁾	110	1/2"	1/2"	3/8"	298
KDN 150-500	4	200	150	180	670	355	500	100	200	150	550	450	22	140	18	500	180	55	110	1/2"	1/2"	3/8"	410
KDN 150-500A	4	200	150	180	670	355	500	100	200	150	550	450	22	140	18	500	180	55	110	1/2"	1/2"	3/8"	410



d1	u	t1
55	16	59
65	18	69
110	28	116



- M1 Pressure gauge connection
- S1 Drain plug
- S3 Packing drain connection 1/2"
- V1 Vacuum gauge connection

Grease lubrication
G1 Greaser

- Oil lubrication**
R1 Oil filling - 3/8"
L1 Oil level - 3/8"
S4 Oil drain plug 3/8"
LC Costant level oil 1/4"

- M1 Подсоединение манометра
S1 Слив насоса
S3 Сток капель сальника 1/2"
V1 Подсоединение вакуумметра

Смазка пластичной смазкой
G1 Масленка

- Смазка маслом**
R1 Наполнение маслом - 3/8"
L1 Уровень масла - 3/8"
S4 Слив масла 3/8"
LC Масленка постоянный уровень 1/4"

MODEL / МОДЕЛЬ	Supp. Пост.	DNa	DNm	a	f	h1	h2	b	m1	m2	n1	n1a	n1b	n2	n2a	n2b	d2	n3	d3	h3	e	w	x	d1	l	M1	S1	V1	kg.
KDN 200-330	4	250	200	200	670	355	450	100	200	150	550	275	275	450	225	225	22	140	18			500	180	55	110	1/2"	1/2"	3/8"	360
KDN 200-400	4	250	200	185	670	355	500	100	200	150	550	275	275	450	225	225	22	140	18			500	180	55	110	1/2"	1/2"	3/8"	390
KDN 200-500	4	250	200	185	670	400	580	140	250	190	800	400	400	660	330	330	27	140	18	15		500	180	55	110	1/2"	1/2"	3/8"	400
KDN 250-330	4	300	250	250	670	400	525	140	250	190	700	350	350	560	280	280	27	140	18			500	240	55	110	1/2"	1/2"	3/8"	410
KDN 250-400	5	300	250	225	780	400	600	125	250	190	690	345	345	560	280	280	27	140	18			545	180	65	140	1/2"	1/2"	3/8"	650
KDN 250-500	5	300	250	300	800	500	500	130	260	190	830	380	450	710	320	390	27	140	18		425	565	250	65	140	1/2"	1/2"	3/8"	700
KDN 250-500A	5	300	250	300	800	500	500	130	260	190	830	380	450	710	320	390	27	140	18		425	565	250	65	140	1/2"	1/2"	3/8"	700
KDN 300-330	4	350	300	300	720	500	670	150	360	280	900	450	450	750	375	375	27	140	18			550	240	55	110	1/2"	1/2"	3/8"	780
KDN 300-400	5	350	300	325	790	400	640	125	250	190	690	345	345	560	280	280	27	140	18			555	240	65	140	1/2"	1/2"	3/8"	800
KDN 300-400A	5	350	300	325	790	400	640	125	250	190	690	345	345	560	280	280	27	140	18			555	240	65	140	1/2"	1/2"	3/8"	800
KDN 300-400M	5	350	300	300	845	500	670	150	360	280	900	450	450	750	375	375	27	140	18			610	240	65	140	1/2"	1/2"	3/8"	900
KDN 350-500	6	400	350	380	1150	600	600	150	400	300	1000	450	550	850	375	475	27	140	18		450	800	380	110	210	1/2"	1/2"	3/8"	1080
KDN 350-500A	6	400	350	380	1150	600	600	150	400	300	1000	450	550	850	375	475	27	140	18		450	800	380	110	210	1/2"	1/2"	3/8"	1080