

CENTRIFUGAL: Performance range

ЦЕНТРОБЕЖНЫЕ НАСОСЫ: Диапазон эксплуатационных характеристик

NKM: Table of selection / Таблица выбора

4 POLES/ПОЛЮСА \cong 1450 1/min

MODEL / МОДЕЛЬ	P2 NOMINAL НОМИНАЛ P2		Q m ³ /h l/min	0	6	12	18	24	30	36	42	48	54	60	
	KW	HP		0	100	200	300	400	500	600	700	800	900	1000	
NKM 32-125.1/140/0.25/4	0.25	0.33	H (m)	6,2	5,8	4,2									
NKM 32-125/142/0.37/4	0.37	0.5		7	6,75	5,85	4,2								
NKM 32-160.1 169/0.37/4	0.37	0.5		8,9	8,2	4,6									
NKM 32-160/169/0,55/4	0.55	0.75		9,4	9	7,9	5,6								
NKM 32-200.1 200/0,55/4	0.55	0.75		12,7	11,2	7,2									
NKM 32-200/200/0,75/4	0.75	1		13	12,5	11,1	8,45								
NKM 32-200/219/1,1 /4	1.1	1.5		16	15,4	14,3	12,2								
NKM 40-125/115/0.25/4	0.25	0.33		4,2	4,1	3,7	3	2,1							
NKM 40-125/130/0.37/4	0.37	0.5		5,4	5,3	5	4,4	3,5							
NKM 40-125/142/0.55/4	0.55	0.75		6,6	6,5	6,2	5,7	4,8							
NKM 40-160/153/0.55/4	0.55	0.75		7,6	7,7	7,6	6,7	5,5							
NKM 40-160/166/0.75/4	0.75	1		9,2	9,2	9	8,4	7,4	5,7						
NKM 40-200/200/1,1/4	1.1	1.5		12,6	12,6	12,3	11,2	9,7	7,7						
NKM 40-200/219/1,5/4	1.5	2		15,6	15,6	15,3	14,7	13,4	11,8	9,8					
NKM 40-250/245/2,2/4	2.2	3		20,6	20,5	20,1	19,2	17,8	16						
NKM 40-250/260/3/4	3	4		23,3	23,1	22,8	22,2	20,8	19						
NKM 50-125/130/0.55/4	0.55	0.75		5,5		5,2	5	4,7	4,3	3,9	3,3	2,6			
NKM 50-125/141/0.75/4	0.75	1		6,5		6,3	6,1	5,8	5,5	5	4,5	3,9			
NKM 50-160/161/1.1/4	1.1	1.5		8,7		8,7	8,5	8,2	7,8	7,3	6,7	5,7			
NKM 50-160/177/1,5/4	1.5	2		10,8		10,8	10,7	10,5	10,2	9,8	9,2	8,3			
NKM 50-200/210/2,2/4	2.2	3	15,3		15,3	15,2	14,8	14	13,3	12,1	10,8	9,4			
NKM 50-200/219/3/4	3	4	16,8		16,8	16,5	16,1	15,5	14,6	13,6	12,4	10,9			
NKM 50-250/263/4/4	4	5.5	23,8		24	23,8	23,4	22,7	21,6	20,4	19	17,1			

CENTRIFUGAL: Performance range

ЦЕНТРОБЕЖНЫЕ НАСОСЫ: Диапазон эксплуатационных характеристик

NKM-G: Table of selection / Таблица выбора

4 POLES/ПОЛЮСА ≈ 1450 1/min

MODEL / МОДЕЛЬ	P2 NOMINAL НОМИНАЛ P2		Q m ³ /h l/min	H (m)																																	
	kW	HP		0	6	12	18	24	30	36	42	48	54	60	66	72	78	84	90	102	114	120	150	180	210	240	270	300	330	360	390	420					
				0	100	200	300	400	500	600	700	800	900	1000	1100	1200	1300	1400	1500	1700	1900	2000	2500	3000	3500	4000	4500	5000	550	6000	3500	7000					
NKM-G 32-125.1/140/0.25/4	0.25	0.33	6.2	5.8	4.2																																
NKM-G 32-125/142/ 0.37/4	0.37	0.5	7	6.75	5.85	4.2																															
NKM-G 32-160.1 169/0.37/4	0.37	0.5	8.9	8.2	4.6																																
NKM-G 32-160/169/0,55/4	0.55	0.75	9.4	9	7.9	5.6																															
NKM-G 32-200.1 200/0,55/4	0.55	0.75	12.7	11.2	7.2																																
NKM-G 32-200/200/ 0,75/4	0.75	1	13	12.5	11.1	8.45																															
NKM-G 32-200/219/ 1,1 /4	1.1	1.5	16	15.4	14.3	12.2																															
NKM-G 40-125/115/ 0.25/4	0.25	0.33	4.2	4.1	3.7	3	2.1																														
NKM-G 40-125/130/ 0.37/4	0.37	0.5	5.4	5.3	5	4.4	3.5																														
NKM-G 40-125/142/ 0.55/4	0.55	0.75	6.6	6.5	6.2	5.7	4.8																														
NKM-G 40-160/153/ 0.55/4	0.55	0.75	7.6	7.6	7.5	6.7	5.5																														
NKM-G 40-160/166/ 0.75/4	0.75	1	9.2	9.2	9	8.4	7.4	5.7																													
NKM-G 40-200/200/ 1,1 /4	1.1	1.5	12.5	12.5	12.3	11.2	9.7	7.7																													
NKM-G 40-200/219/ 1,5 /4	1.5	2	15.6	15.6	15.3	14.7	13.4	11.8	9.8																												
NKM-G 40-250/245/ 2,2 /4	2.2	3	20.6	20.5	20.1	19.2	17.8	16																													
NKM-G 40-250/260/ 3 /4	3	4	23.3	23.1	22.8	22.2	20.8	19																													
NKM-G 50-125/130/ 0.55/4	0.55	0.75	5.5	5.2	5	4.7	4.3	3.9	3.3	2.6																											
NKM-G 50-125/141/ 0.75/4	0.75	1	6.5	6.3	6.1	5.8	5.5	5	4.5	3.9																											
NKM-G 50-160/161/ 1.1 /4	1.1	1.5	8.6	8.6	8.5	8.2	7.8	7.3	6.7	5.7																											
NKM-G 50-160/177/ 1,5 /4	1.5	2	10.7	10.7	10.7	10.5	10.2	9.8	9.2	8.3																											
NKM-G 50-200/210/ 2,2 /4	2.2	3	15.3	15.3	15.2	14.8	14	13.3	12.1	10.8	9.4																										
NKM-G 50-200/219/ 3 /4	3	4	16.8	16.8	16.5	16.1	15.5	14.6	13.6	12.4	10.9																										
NKM-G 50-250/263/ 4 /4	4	5.5	23.8	23.8	23.8	23.4	22.7	21.6	20.4	19	17.1																										
NKM-G 65-125/130/ 0.75/4	0.75	1	5.1	4.9	4.8	4.75	4.7	4.4	4.2	3.8	3.4	3	2.5																								
NKM-G 65-125/144/ 1.1 /4	1.1	1.5	6.5	6.4	6.4	6.3	6.2	6	5.75	5.5	5.1	4.65	4.2	3.75																							
NKM-G 65-160/153/ 1,1 /4	1.1	1.5	7.4	7.4	7.3	7.15	6.9	6.65	6.25	5.8	5.3	4.4																									
NKM-G 65-160/165/ 1,5 /4	1.5	2	8.9		8.8	8.7	8.6	8.3	8	7.6	7.15	6.6	6																								
NKM-G 65-160/177/ 2,2 /4	2.2	3	10.5			10.4	10.3	10.2	9.9	9.6	9.2	8.75	8.2	7.4	6.6																						
NKM-G 65-200/210/ 3 /4	3	4	15.3			15.2	15.2	15.1	14.6	14.1	13.5	12.9	12.2	11.3																							
NKM-G 65-200/219/ 4 /4	4	5.5	17			17	16.9	16.8	16.4	16.2	15.8	15.2	14.3	13.8	12.6																						
NKM-G 65-250/263/ 5,5 /4	5.5	7.5	24.1			23.8	23.6	23.3	22.8	22.3	21.5	20.8	19.7	18.6	17.3																						
NKM-G 65-315/279/ 7,5 /4	7.5	10	27						26	25.5	25	24.5	23.6	22.7	21.5	20.2	19																				
NKM-G 65-315/309/11 /4	11	15	34.2						33.2	33	32.5	32	31.5	30.7	29.8	29	28	25	21.7																		
NKM-G 80-160/153-136/1.5/4	1.5	2	6.5				6.35	6.3	6.2	5.95	5.75	5.55	5.3	5	4.7	4.5	4.25	3.65	3																		
NKM-G 80-160/163/ 2,2 /4	2.2	3	8.65				8.5	8.45	8.3	8.15	7.9	7.7	7.4	7.2	6.9	6.65	6.3	5.7	4.9	4.6																	
NKM-G 80-160/177/ 3 /4	3	4	10.2				10.2	10.1	10	9.9	9.75	9.65	9.5	9.25	9	8.8	8.6	7.9	7.2	6.7																	
NKM-G 80-200/200/ 4 /4	4	5.5	13.2						13.1	13	12.9	12.8	12.7	12.4	12	11.7	11.3	10.4	9.3	8.7																	
NKM-G 80-200/222/ 5,5 /4	5.5	7.5	16.6						16.5	16.5	16.4	16.2	16.1	16	15.7	15.4	15	14.3	13.3	12.7																	
NKM-G 80-250/240/ 7,5 /4	7.5	10	20.4						20.3	20.3	20.2	20.1	20	19.9	19.8	19.5	19	18	16.7	16																	
NKM-G 80-250/270/11 /4	11	15	25.6						25.5	25.5	25.4	25.1	25	24.8	24.6	24.2	24	23	21.5	21																	
NKM-G 80-315/305/15 /4	15	20	32.9								32.7	32.6	32.6	32.5	32.4	32	31.6	30.5	29.5	28.9	24																
NKM-G 80-315/320/18,5/4	18.5	25	36.8								36.7	36.7	36.6	36.5	36.5	36.5	36.1	35.5	34.5	34	29.5																
NKM-G 80-315/334/22 /4	22	30	41								40.8	40.8	40.7	40.6	40.6	40.4	40.2	39.8	39	38.5	34.8	29															
NKM-G100-200/200/ 5.5 /4	5.5	7.5	12.7									12.6	12.6	12.5	12.5	12.4	12.3	12	11.5	11.4	10.1	8.5															
NKM-G100-200/214/ 7.5 /4	7.5	10	15.6									15.4	15.4	15.3	15.2	15.1	15	14.7	14.5	14.3	13.3	11.6	9.8														
NKM-G100-250/250/11 /4	11	15	21.1									21	21	21	21	21	21	20.9	20	19.8	18	16															
NKM-G100-250/270/15 /4	15	20	25.5									25.5	25.5	25.5	25.3	25.1	25.1	25	24.5	24	22.5	20.5	17.5														
NKM-G100-315/300/18.5 /4	18.5	25	32												31.5	31.4	31	30.5	28.8	26	23																
NKM-G100-315/316/22 /4	22	30	36												35.5	35.2	35	34.6	33.2	31	28	24															
NKM-G125-250/243/15 /4	15	20	19.5														19.3	19.3	19.2	19.2	18.7	17.8	16.8	15.5	14.1	12.5	10.9										
NKM-G125-250/256/18,5 /4	18.5	25	21.9														21.8	21.8	21.7	21.6	21.3	20.5	19.5	18.5	17.2	15.6	14	12									
NKM-G125-250/266/22 /4	22	30	24.6														24.4	24.2	24.1	24	23.5	22.9	22	21	19.8	18.5	16.7	15									
NKM-G150-200/218/11 /4	11	15	13.2																13.1	13	13	12.8	12.5	12.1	11.5	11	10.										

CENTRIFUGAL: Performance range

ЦЕНТРОБЕЖНЫЕ НАСОСЫ: Диапазон эксплуатационных характеристик

NKP: Table of selection / Таблица выбора

2 POLES/ПОЛЮСА \cong 2900 1/min

MODEL / МОДЕЛЬ	P2 NOMINAL НОМИНАЛ P2		Q m ³ /h l/min	0	6	12	18	24	30	36	42	48	54	60	66	72	78	84	90	102	114	
	kW	HP		0	100	200	300	400	500	600	700	800	900	1000	1100	1200	1300	1400	1500	1700	1900	
NKP 32-125.1/102/0.75/2	0.75	1	H (m)	13	12.5	11	8															
NKP 32-125.1/115/1.1/2	1.1	1.5		17.2	17	15	12.5															
NKP 32-125.1/125/1.5/2	1.5	2		21	20.8	19	16.8															
NKP 32-125.1/140/2.2/2	2.2	3		27	26.9	25.9	23	19.5														
NKP 32-125.1/140/2.2/2 M	2.2	3		27	26.9	25.9	23	19.5														
NKP 32-125/110/1.1/2	1.1	1.5		15.8	15.4	14.5	12.9	9.9														
NKP 32-125/120/1.5/2	1.5	2		19.4	19	18.2	16.8	14.5														
NKP 32-125/130/2.2/2	2.2	3		23.7	23.4	23	21.8	19.8	16.8													
NKP 32-125/130/2.2/2 M	2.2	3		23.7	23.4	23	21.8	19.8	16.8													
NKP 32-125/142/3/2	3	4		28.6	28.2	27.6	26.5	24.6	21.8	17.9												
NKP 32-125/142/3/2 M	3	4		28.6	28.2	27.6	26.5	24.6	21.8	17.9												
NKP 32-160.1/155/2.2/2	2.2	3		29.2	29	26.5	20.5															
NKP 32-160.1/155/2.2/2 M	2.2	3		29.2	29	26.5	20.5															
NKP 32-160.1/166/3/2	3	4		35.3	35	33	28															
NKP 32-160.1/166/3/2 M	3	4		35.3	35	33	28															
NKP 32-160/151/3/2	3	4		30.5	30	29	27	24	19.5													
NKP 32-160/151/3/2 M	3	4		30.5	30	29	27	24	19.5													
NKP 32-160/163/4/2	4	5.5		36	36	35	33.5	30.5	27	22												
NKP 32-160/163/4/2 M	4	5.5		36	36	35	33.5	30.5	27	22												
NKP 32-160/177/5.5/2	5.5	7.5		43.5	43.2	42.6	41.5	39	36	31.5	25.5											
NKP 32-200.1/188/4/2	4	5.5		45.3	44.4	40.8	34.4	26.8														
NKP 32-200.1/188/4/2 M	4	5.5		45.3	44.4	40.8	34.4	26.8														
NKP 32-200.1 205/5.5/2	5.5	7.5		56.6	55.7	52	45.8	36.2														
NKP 32-200/190/5.5/2	5.5	7.5		47	46.5	45	43	40	35	29												
NKP 32-200/210/7.5/2	7.5	10		58.5	58	57	56	53	49	44												
NKP 40-125/107/1.5/2	1.5	2		14.7	14.5	14.3	13.8	13	11.8	10.5	8.6	7										
NKP 40-125/120/2.2/2	2.2	3		19	18.7	18.4	17.8	17	15.9	14.6	13	11										
NKP 40-125/120/2.2/2 M	2.2	3		19	18.7	18.4	17.8	17	15.9	14.6	13	11										
NKP 40-125/130/3/2	3	4		22.8	22.5	22.3	22	21.2	20.2	19	17.4	15.5	13.5									
NKP 40-125/130/3/2 M	3	4		22.8	22.5	22.3	22	21.2	20.2	19	17.4	15.5	13.5									
NKP 40-125/139/4/2	4	5.5		26.4	26.2	26	25.6	25	24	23	21.5	19.5	17.5	15								
NKP 40-125/139/4/2 M	4	5.5		26.4	26.2	26	25.6	25	24	23	21.5	19.5	17.5	15								
NKP 40-160/158/5.5/2	5.5	7.5		34			34	33.5	32.5	31	29.5	27	24									
NKP 40-160/172/7.5/2	7.5	10		41			41	41	40	39	37.5	35.5	33	30	26.5							
NKP 40-200/210/11/2	11	15		57	57.5	58	58	57.5	57	55	53	50	47	43.5	39							
NKP 40-250/230/15/2	15	20		72.5			72.5	72	70	68	66	62.5	60	56	51.5							
NKP 40-250/245/18.5/2	18.5	25		83			83	82.5	81.5	80	77	74	71.5	67.5	63.5	58.5						
NKP 40-250/260/22/2	22	30		96			95	94.5	93.5	92	90	87.5	84	81	76.5	71.5						
NKP 50-125/115/3/2	3	4		17				16.5	16	15.5	15	14.5	13.7	13	12	11	10	9				
NKP 50-125/115/3/2 M	3	4		17				16.5	16	15.5	15	14.5	13.7	13	12	11	10	9				
NKP 50-125/125/4/2	4	5.5	20.5				20	19.5	19.1	18.5	18	17.5	16.5	15.8	14.8	14	12.5	11.5				
NKP 50-125/125/4/2 M	4	5.5	20.5				20	19.5	19.1	18.5	18	17.5	16.5	15.8	14.8	14	12.5	11.5				
NKP 50-125/135/5.5/2	5.5	7.5	24				23.6	23.5	23.2	22.8	22.2	21.5	21	20	19.1	18.5	17.5	16.5	13.4			
NKP 50-125/144/7.5/2	7.5	10	28				27.8	27.5	27.3	27	26.5	25.8	25.3	24.5	23.5	23	21.5	20.5	18	15.5		
NKP 50-160/153/7.5/2	7.5	10	32				32.5	32.4	32	31.5	31	30.5	29.5	28.5	27.5	26	25	23.5				
NKP 50-160/169/11/2	11	15	39.5					40	39.8	39.5	39	38.5	38	37.2	36.5	35	34	32.5				
NKP 50-200/200/15/2	15	20	55					56	55.5	54	53.5	52	51	49	47.5	45.5	43	41				
NKP 50-200/210/18.5/2	18.5	25	61.5					62	62	61.5	60.5	59	58	56.5	55	53	51	48.5	43			
NKP 50-200/219/22/2	22	30	67.5					68	67.5	67	66	65.5	64	62.5	61	59.5	57	55	50			
NKP 50-250/230/22/2	22	30	73.5					75	74.5	73.8	73.5	71	68.5	67	65	62.5	60	57	49			
NKP 50-250/257/30/2	30	40	92.5					94	94	93.6	93.5	91	89	87.5	86	83	81	78	72			

CENTRIFUGAL: Performance range

ЦЕНТРОБЕЖНЫЕ НАСОСЫ: Диапазон эксплуатационных характеристик

NKP-G: Table of selection / Таблица выбора

2 POLES/ПОЛЮСА ≅ 2900 1/min

MODEL / МОДЕЛЬ	P2 NOMINAL НОМИНАЛ P2		Q m³/h l/min																															
	kW	HP		0	6	12	18	24	30	36	42	48	54	60	66	72	78	84	90	102	114	120	150	180	210	240	270	300	330	360	390	420		
			0	100	200	300	400	500	600	700	800	900	1000	1100	1200	1300	1400	1500	1700	1900	2000	2500	3000	3500	4000	4500	5000	550	6000	3500	7000			
NKP-G 32-125.1/102/0.75/2	0.75	1	13	12.5	11	8																												
NKP-G 32-125.1/115/1.1/2	1.1	1.5	17.2	17	15	12.5																												
NKP-G 32-125.1/125/1.5/2	1.5	2	21	20.8	19	16.8																												
NKP-G 32-125.1/140/2.2/2	2.2	3	27	26.9	25.9	23	19.5																											
NKP-G 32-125/110/ 1.1 /2	1.1	1.5	15.8	15.2	14.5	12.9	9.9																											
NKP-G 32-125/120/ 1.5 /2	1.5	2	19.3	18.9	18.2	16.8	14.5																											
NKP-G 32-125/130/ 2.2 /2	2.2	3	23.6	23.1	23	21.6	19.6	16.8																										
NKP-G 32-125/142/ 3 /2	3	4	28.6	28	27.6	26.5	24.6	21.8	17.9																									
NKP-G 32-160.1 155/2.2/2	2.2	3	29.2	29	26.5	20.5																												
NKP-G 32-160.1 166/3 /2	3	4	35.3	35	33	28																												
NKP-G 32-160/151 /3 /2	3	4	30.5	30	29	27	24	19.5																										
NKP-G 32-160/163 /4 /2	4	5.5	36.2	36	35	33.5	30.5	27	22																									
NKP-G 32-160/177 /5,5/2	5.5	7.5	43.5	43.2	42.6	41.5	39	36	31.5	25.5																								
NKP-G 32-200.1 188/4 /2	4	5.5	45.3	44.4	40.8	34.4	26.8																											
NKP-G 32-200.1 205/5,5/2	5.5	7.5	56.6	55.7	52	45.8	36.2																											
NKP-G 32-200/190/ 5.5 /2	5.5	7.5	46.9	46.5	45	43	40	35	29																									
NKP-G 32-200/210/ 7.5 /2	7.5	10	58.8	58	57	56	53	49	44																									
NKP-G 40-125/107/ 1.5 /2	1.5	2	14.7	14.5	14.3	13.8	13	11.8	10.5	8.6	7																							
NKP-G 40-125/120/ 2.2 /2	2.2	3	19	18.7	18.4	17.8	17	15.9	14.6	13	11																							
NKP-G 40-125/130/ 3 /2	3	4	22.8	22.5	22.3	22	21.2	20.2	19	17.4	15.5	13.5																						
NKP-G 40-125/139/ 4 /2	4	5.5	26.4	26.2	26	25.6	25	24	23	21.5	19.5	17.5	15																					
NKP-G 40-160/158/ 5,5 /2	5.5	7.5	33.7			34	33.4	32.4	31	29.5	27	24																						
NKP-G 40-160/172/ 7,5 /2	7.5	10	40.7			40.2	40.1	39.8	38.5	37.5	35.5	33	30	26.5																				
NKP-G 40-200/210/11 /2	11	15	57.1	57	57	56.8	56.5	56	55	53	50	47	43.5	39																				
NKP-G 40-250/230/15 /2	15	20	72.5			72.5	72	70	68	66	62.5	60	56	51.5																				
NKP-G 40-250/245/18.5 /2	18.5	25	83			83	82.5	81.5	80	77	74	71.5	67.5	63.5	58.5																			
NKP-G 40-250/260/22 /2	22	30	96			95	94.5	93.5	92	90	87.5	84	81	76.5	71.5																			
NKP-G 50-125/115/ 3 /2	3	4	17				16.5	16	15.5	15	14.5	13.7	13	12	11	10	9																	
NKP-G 50-125/125/ 4 /2	4	5.5	20.5				20	19.5	19.1	18.5	18	17.5	16.5	15.8	14.8	14	12.5	11.5																
NKP-G 50-125/135/ 5,5 /2	5.5	7.5	24				23.6	23.5	23.2	22.8	22.2	21.5	21	20	19.1	18.5	17.5	16.5	13.4															
NKP-G 50-125/144/ 7,5 /2	7.5	10	28				27.8	27.5	27.3	27	26.5	25.8	25.3	24.5	23.5	23	21.5	20.5	18	15.5														
NKP-G 50-160/153/ 7.5 /2	7.5	10	31.9				31.5	31.5	31.5	31.2	31	30.5	29.5	28.5	27.5	26	25	23.5																
NKP-G 50-160/169/11 /2	11	15	39.6					39.5	39.3	39.1	39	38.5	38	37.2	36.5	35	34	32.5																
NKP-G 50-200/200/15 /2	15	20	55.1					54.7	54.6	54	53.5	52	51	49	47.5	45.5	43	41																
NKP-G 50-200/210/18,5 /2	18.5	25	61.7					61.7	61.6	61.5	60.5	59	58	56.5	55	53	51	48.5	43															
NKP-G 50-200/219/22 /2	22	30	67.7					67.5	67.4	66.5	66	65.5	64	62.5	61	59.5	57	55	50															
NKP-G 50-250/230/22 /2	22	30	73.6					73.2	73.1	72.8	72	71	68.5	67	65	62.5	60	57	49															
NKP-G 50-250/257/30 /2	30	40	93					92.5	92.3	92	91.5	91	89	87.5	86	83	81	78	72															
NKP-G 65-125/120-110/4/2	4	5.5	16						15	14.6	14.2	13.7	13.3	12.8	12.3	12	11.4	10	8.5	8														
NKP-G 65-125/127/ 5,5 /2	5.5	7.5	19.5						19	18.9	18.7	18.4	18.1	17.5	17.2	16.9	16.5	15.8	14.5	13	12													
NKP-G 65-125/137/ 7,5 /2	7.5	10	23.5						23.1	23	22.8	22.6	22.5	22	21.6	21.1	20.7	20.2	19	17.5	14.8	12												
NKP-G 65-160/157/11 /2	11	15	32.5									32.3	32	31.9	31.3	30.2	30	29.2	28.7	27	24.8	23.6												
NKP-G 65-160/173/15 /2	15	20	40.1									39.7	39.6	39.5	39.5	39	38.5	38.2	37.5	36	34.5	33.5	26.9											
NKP-G 65-200/190/18,5 /2	18.5	25	51.1									51	50.8	50.5	50	49	48.5	48	47.5	45	42.5	41												
NKP-G 65-200/200/22 /2	22	30	56.4									56.1	56.1	56	55.8	55.5	55	54.8	54.5	53	51	49												
NKP-G 65-200/219/30 /2	30	40	68.9									68.8	68.8	68.7	68.7	68.6	68.5	68.4	67.5	66	64	63.1	57											
NKP-G 80-160/147-127/11 /2	11	15	24																22	21.4	20.4	20	17.4	16.8	12									
NKP-G 80-160/153/15 /2	15	20	30.5																	29	28.4	27.5	27	24.5	21.3	18.3								
NKP-G 80-160/163/18,5 /2	18.5	25	35.5																		34.3	33.6	32.6	32.3	29.8	26.8	23.6	20						
NKP-G 80-160/169/22 /2	22	30	38.5																			37.2	36.8	36	35.8	33.5	30.8	27.5	24					
NKP-G 80-200/190/30 /2	30	40	48.3																				47.9	47.6	47.5	47.3	44.7	41	36	29				

CENTRIFUGAL: Performance range

ЦЕНТРОБЕЖНЫЕ НАСОСЫ: Диапазон эксплуатационных характеристик

NKM-GE: Table of selection / Таблица выбора

2 POLES/ПОЛЮСА \cong 2900 1/min

MODEL / МОДЕЛЬ	P2 NOMINAL НОМИНАЛ P2		Q m ³ /h l/min	0	6	12	18	24	30	36	42	48	54	60	66	72	78	84	90	102	114	120	150	180	210		
	KW	HP		0	100	200	300	400	500	600	700	800	900	1000	1100	1200	1300	1400	1500	1700	1900	2000	2500	3000	3500		
NKM-GE 32-125.1/140/0.25/4	0.25	0.33		6.2	5.8	4.2																					
NKM-GE 32-125/142/ 0.37/4	0.37	0.5		7	6.75	5.85	4.2																				
NKM-GE 32-160.1 169/0.37/4	0.37	0.5		8.9	8.2	4.6																					
NKM-GE 32-160/169/0,55/4	0.55	0.75		9.4	9	7.9	5.6																				
NKM-GE 32-200.1 200/0,55/4	0.55	0.75		12.7	11.2	7.2																					
NKM-GE 32-200/200/ 0,75/4	0.75	1		13	12.5	11.1	8.45																				
NKM-GE 32-200/219/ 1,1 /4	1.1	1.5		16	15.4	14.3	12.2																				
NKM-GE 40-125/115/ 0.25/4	0.25	0.33		4.2	4.1	3.7	3	2.1																			
NKM-GE 40-125/130/ 0.37/4	0.37	0.5		5.4	5.3	5	4.4	3.5																			
NKM-GE 40-125/142/ 0.55/4	0.55	0.75		6.6	6.5	6.2	5.7	4.8																			
NKM-GE 40-160/153/ 0.55/4	0.55	0.75		7.6	7.7	7.6	6.7	5.5																			
NKM-GE 40-160/166/ 0.75/4	0.75	1		9.2	9.2	9	8.4	7.4	5.7																		
NKM-GE 40-200/200/ 1,1 /4	1.1	1.5		12.6	12.6	12.3	11.2	9.7	7.7																		
NKM-GE 40-200/219/ 1,5 /4	1.5	2		15.6	15.6	15.3	14.7	13.4	11.8	9.8																	
NKM-GE 40-250/245/ 2,2 /4	2.2	3		20.6	20.5	20.1	19.2	17.8	16																		
NKM-GE 40-250/260/ 3 /4	3	4		23.3	23.1	22.8	22.2	20.8	19																		
NKM-GE 50-125/130/ 0.55/4	0.55	0.75		5.5		5.2	5	4.7	4.3	3.9	3.3	2.6															
NKM-GE 50-125/141/ 0.75/4	0.75	1		6.5		6.3	6.1	5.8	5.5	5	4.5	3.9															
NKM-GE 50-160/161/ 1.1 /4	1.1	1.5		8.7		8.7	8.5	8.2	7.8	7.3	6.7	5.7															
NKM-GE 50-160/177/ 1,5 /4	1.5	2		10.8		10.8	10.7	10.5	10.2	9.8	9.2	8.3															
NKM-GE 50-200/210/ 2,2 /4	2.2	3	(m)	15.3		15.3	15.2	14.8	14	13.3	12.1	10.8	9.4														
NKM-GE 50-200/219/ 3 /4	3	4		16.8		16.8	16.5	16.1	15.5	14.6	13.6	12.4	10.9														
NKM-GE 50-250/263/ 4 /4	4	5.5		23.8		24	23.8	23.4	22.7	21.6	20.4	19	17.1														
NKM-GE 65-125/130/ 0.75/4	0.75	1		5.1		4.9	4.8	4.75	4.7	4.4	4.2	3.8	3.4	3	2.5												
NKM-GE 65-125/144/ 1.1 /4	1.1	1.5		6.5		6.4	6.4	6.3	6.2	6	5.75	5.5	5.1	4.65	4.2	3.75											
NKM-GE 65-160/153/ 1,1 /4	1.1	1.5		7.4		7.4	7.3	7.15	6.9	6.65	6.25	5.8	5.3	4.4													
NKM-GE 65-160/165/ 1,5 /4	1.5	2		8.9			8.8	8.7	8.6	8.3	8	7.6	7.15	6.6	6												
NKM-GE 65-160/177/ 2,2 /4	2.2	3		10.5				10.4	10.3	10.2	9.9	9.6	9.2	8.75	8.2	7.4	6.6										
NKM-GE 65-200/210/ 3 /4	3	4		15.3				15.4	15.3	15	14.6	14.1	13.5	12.9	12.2	11.3											
NKM-GE 65-200/219/ 4 /4	4	5.5		17				17.2	17.2	17.1	16.8	16.5	16.2	15.7	15.1	14.3	13.6	12.6									
NKM-GE 65-250/263/ 5,5 /4	5.5	7.5		24.1				23.8	23.6	23.3	22.8	22.3	21.5	20.8	19.7	18.6	17.3										
NKM-GE 65-315/279/ 7,5 /4	7.5	10		27							26	25.5	25	24.5	23.6	22.7	21.5	20.2	19								
NKM-GE 80-160/153-136/1.5/4	1.5	2		6.5					6.35	6.3	6.2	5.95	5.75	5.55	5.3	5	4.7	4.5	4.25	3.65	3						
NKM-GE 80-160/163/ 2,2 /4	2.2	3		8.65					8.5	8.45	8.3	8.15	7.9	7.7	7.4	7.2	6.9	6.65	6.3	5.7	4.9	4.6					
NKM-GE 80-160/177/ 3 /4	3	4		10.2					10.2	10.1	10	9.9	9.75	9.65	9.5	9.25	9	8.8	8.6	7.9	7.2	6.7					
NKM-GE 80-200/200/ 4 /4	4	5.5		13.2							13.2	13.2	13.1	12.9	12.7	12.4	12	11.7	11.3	10.4	9.3	8.7					
NKM-GE 80-200/222/ 5,5 /4	5.5	7.5		16.5							16.6	16.5	16.4	16.2	16.1	16	15.7	15.4	15	14.3	13.3	12.7					
NKM-GE 80-250/240/ 7,5 /4	7.5	10		20.5							21	21	21	20.7	20.5	20	19.8	19.5	19	18	16.7	16					
NKM-GE100-200/200/ 5.5 /4	5.5	7.5		12.7										12.6	12.6	12.5	12.5	12.4	12.3	12	11.5	11.4	10.1	8.5			
NKM-GE100-200/214/ 7.5 /4	7.5	10		15.6										15.4	15.4	15.3	15.2	15.1	15	14.7	14.5	14.3	13.3	11.6	9.8		

CENTRIFUGAL: Performance range

ЦЕНТРОБЕЖНЫЕ НАСОСЫ: Диапазон эксплуатационных характеристик

NKP-GE: Table of selection / Таблица выбора

2 POLES/ПОЛЮСА \cong 2900 1/min

MODEL / МОДЕЛЬ	P2 NOMINAL НОМИНАЛ P2		Q m ³ /h l/min	0	6	12	18	24	30	36	42	48	54	60	66	72	78	84	90	102	114	120	150	180	210
	KW	HP		0	100	200	300	400	500	600	700	800	900	1000	1100	1200	1300	1400	1500	1700	1900	2000	2500	3000	3500
NKP-GE 32-125.1/102/0.75/2	0.75	1		13	12.5	11	8																		
NKP-GE 32-125.1/115/1.1/2	1.1	1.5		17.2	17	15	12.5																		
NKP-GE 32-125.1/125/1.5/2	1.5	2		21	20.8	19	16.8																		
NKP-GE 32-125.1/140/2.2/2	2.2	3		27	26.9	25.9	23	19.5																	
NKP-GE 32-125/110/ 1.1 /2	1.1	1.5		15.8	15.4	14.5	12.9	9.9																	
NKP-GE 32-125/120/ 1.5 /2	1.5	2		19.4	19	18.2	16.8	14.5																	
NKP-GE 32-125/130/ 2.2 /2	2.2	3		23.7	23.4	23	21.8	19.8	16.8																
NKP-GE 32-125/142/ 3 /2	3	4		28.6	28.2	27.6	26.5	24.6	21.8	17.9															
NKP-GE 32-160.1 155/2.2/2	2.2	3		29.2	29	26.5	20.5																		
NKP-GE 32-160.1 166/3 /2	3	4		35.3	35	33	28																		
NKP-GE 32-160/151/3 /2	3	4		30.5	30	29	27	24	19.5																
NKP-GE 32-160/163/4 /2	4	5.5		36	36	35	33.5	30.5	27	22															
NKP-GE 32-160/177/5,5/2	5.5	7.5		43.5	43.2	42.6	41.5	39	36	31.5	25.5														
NKP-GE 32-200.1 188/4 /2	4	5.5		45.3	44.4	40.8	34.4	26.8																	
NKP-GE 32-200.1 205/5,5/2	5.5	7.5		56.6	55.7	52	45.8	36.2																	
NKP-GE 32-200/190/ 5.5 /2	5.5	7.5		47	46.5	45	43	40	35	29															
NKP-GE 32-200/210/ 7.5 /2	7.5	10		58.5	58	57	56	53	49	44															
NKP-GE 40-125/107/ 1.5 /2	1.5	2		14.7	14.5	14.3	13.8	13	11.8	10.5	8.6	7													
NKP-GE 40-125/120/ 2.2 /2	2.2	3		19	18.7	18.4	17.8	17	15.9	14.6	13	11													
NKP-GE 40-125/130/ 3 /2	3	4		22.8	22.5	22.3	22	21.2	20.2	19	17.4	15.5	13.5												
NKP-GE 40-125/139/ 4 /2	4	5.5		26.4	26.2	26	25.6	25	24	23	21.5	19.5	17.5	15											
NKP-GE 40-160/158/ 5,5 /2	5.5	7.5		34			34	33.5	32.5	31	29.5	27	24												
NKP-GE 40-160/172/ 7,5 /2	7.5	10		41			41	41	40	39	37.5	35.5	33	30	26.5										
NKP-GE 50-125/115/ 3 /2	3	4		17				16.5	16	15.5	15	14.5	13.7	13	12	11	10	9							
NKP-GE 50-125/125/ 4 /2	4	5.5		20.5				20	19.5	19.1	18.5	18	17.5	16.5	15.8	14.8	14	12.5	11.5						
NKP-GE 50-125/135/ 5,5 /2	5.5	7.5		24				23.6	23.5	23.2	22.8	22.2	21.5	21	20	19.1	18.5	17.5	16.5	13.4					
NKP-GE 50-125/144/ 7,5 /2	7.5	10		28				27.8	27.5	27.3	27	26.5	25.8	25.3	24.5	23.5	23	21.5	20.5	18	15.5				
NKP-GE 50-160/153/ 7.5 /2	7.5	10		32				32.5	32.4	32	31.5	31	30.5	29.5	28.5	27.5	26	25	23.5						
NKP-GE 65-125/120-110/4/2	4	5.5		16					15	14.6	14.2	13.7	13.3	12.8	12.3	12	11.4	10	8.5	8					
NKP-GE 65-125/127/ 5,5 /2	5.5	7.5		19.5					19	18.9	18.7	18.4	18.1	17.5	17.2	16.9	16.5	15.8	14.5	13	12				
NKP-GE 65-125/137/ 7,5 /2	7.5	10		23.5					23.1	23	22.8	22.6	22.5	22	21.6	21.1	20.7	20.2	19	17.5	14.8	12			

NKM/NKP

STANDARDISED ENBLOC CENTRIFUGAL ELECTRIC PUMPS WITH INTEGRAL SHAFT

СТАНДАРТНЫЕ ЦЕНТРОБЕЖНЫЕ ЭЛЕКТРОНАСОСЫ МОНОБЛОК С ВСТРОЕННЫМ ВАЛОМ



Enbloc centrifugal electric pumps with integral shaft designed for a wide range of applications, such as:

- Water supply
- Circulation of hot water for central heating.
- Circulation of cold water for air conditioning and refrigerating.
- Transfer of liquids in agriculture, horticulture and industries.
- Implementation of pumping systems

Pump construction characteristics

Single-stage, cast iron spiral body made to DIN-EN 733 (formerly DIN 24255), cast iron support, flanges in accordance with DIN 2533. Cast iron impeller, encased and dynamically balanced with compensation of the axial thrust by means of balancing holes, operating (on request) with interchangeable consumable rings. AISI 304 stainless steel pump shaft.

Seal: standardised mechanical seal made to DIN 24960 in carbon / carborundum with O' rings in EPDM.

Motor construction characteristics

Closed, asynchronous motor with external ventilation, 2 poles for NKP and 4 poles for NKM. Rotor mounted on oversized ball bearings to ensure silent running and long life. We recommend using overload protection for the motor, in accordance with current norms. In the case of liquids denser than water, the motors must be proportionally more powerful.

Центробежные насосы моноблок с встроенным валом спроектированы для широкого спектра применений, таки, как:

- Водоснабжение.
- Циркуляция горячей воды отопления.
- Циркуляция холодной воды кондиционирования и охлаждения.
- Перекачивание жидкостей в сельском хозяйстве, садоводстве и промышленности.
- Реализация насосных станций:

Спиралевидный одноступенчатый корпус насоса из чугуна соответствует стандарту DIN-EN 733 (ex DIN 24255), опоры из чугуна, фланцы соответствуют стандарту DIN 2533. Рабочее колесо из чугуна, закрытое и динамически сбалансированное с компенсацией осевого толчка при помощи уравновешивающих отверстий, работающее (по заказу) на заменяемых кольцевых прокладках. Вал насоса сделан из нержавеющей стали AISI 304. Уплотнительное кольцо: Стандартная механическая прокладка по стандарту DIN 24960 из графита/карбида кремния, с кольцевыми уплотнениями из EPDM. Асинхронный двигатель закрытого типа с внешней вентиляцией, двухполюсный для моделей NKP, четырехполюсный – для моделей NKM. Ротор монтируется на шарикоподшипники большего размера, гарантирующие бесшумную работу и долгий срок службы. Для защиты трехфазного двигателя рекомендуется использовать дистанционную защиту двигателя, в соответствии с действующими законами и нормами. При наличии жидкостей,

Built to: IEC 2-3 standards

Protection level: IP 55

Insulation level: F

Standard voltage: 230/400 V 50 Hz up to 2,2 Kw included
400 V Δ 50 Hz over 2,2 Kw

Speed of rotation: 1450 - 2900 1/min.

Operating range: from 1 to 105 m³/h with head up to 96 metres.

Characteristics of pumped liquid: clean, free from solids or abrasive substances, not viscous, not aggressive, not crystallised and chemically neutral and close to the characteristics of water.

Liquid temperature range: from -10°C to +140°C

Maximum ambient temperature: +40°C

Maximum operating pressure: 16 bar - 1600 kPa

Flanging: PN 16 DIN 2533

Installation: normally horizontal or vertical provided the motor is always above the pump.

Special versions on request: pumps for liquids other than water. Other voltages and/or frequencies.

превышающих по плотности воду, мощности двигателей должны пропорционально увеличиваться.

Конструкция по стандарту: CEI 2-3

Степень защиты: IP 55

Класс изоляции: F

Серийное напряжение: 230/400 В 50 Гц до 2,2 кВт включительно.
400 В Δ 50 Гц свыше 2,2 кВт

Скорость вращения: 1450 - 2900 1/мин.

Рабочий диапазон: от 1 до 105 м³/ч, с напором до 96 метров.

Перекачиваемая жидкость: чистая, не содержащая твердых или абразивных частиц, не вязкая, не агрессивная, не кристаллизованная, химически нейтральная, близкая по характеристикам к воде.

Диапазон температуры жидкости: от -10°C до +140°C

Максимальная температура окружающей среды: +40°C

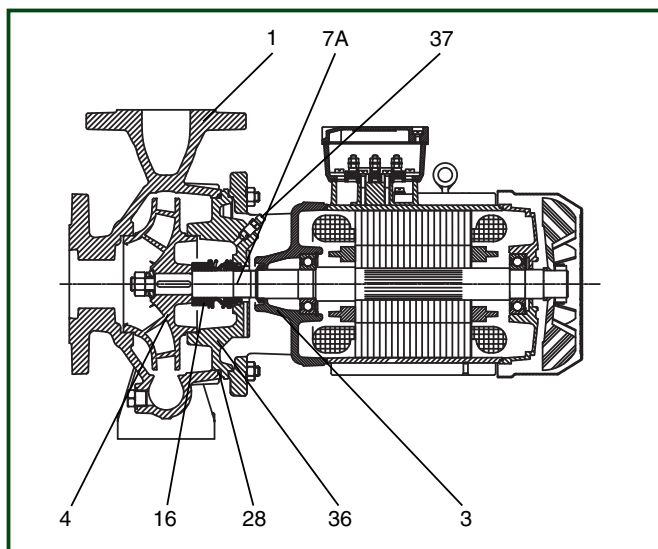
Максимальное рабочее давление: 16 бар - 1600 кПа

Фланцы: PN 16 DIN 2533

Монтаж: Обычно в горизонтальном или вертикальном положении, если двигатель находится всегда над насосом.

Специальное исполнение по заказу: Насосы для жидкостей, отличных от воды.

Другая частота и/или напряжение.



N.	PARTS	MATERIALS (STANDARD VERSION)
1	PUMP BODY	250 UNI ISO 185 CAST IRON
3	SUPPORT	250 UNI ISO 185 CAST IRON
4	IMPELLER	250 UNI ISO 185 CAST IRON
7A	PUMP SHAFT	AISI 304 - UNI 6900/71 STAINLESS STEEL
16	MECHANICAL SEAL	CARBON/CARBORUNDUM - EPDM
28	O RING	VITON
36	SEAL HOLDER DISK	250 UNI ISO 185 CAST IRON
37	BLEED COCK	AISI 304 - UNI 6900/71 STAINLESS STEEL

№	ДЕТАЛИ	МАТЕРИАЛЫ (СЕРИЙНЫЙ ВАРИАНТ)
1	КОРПУС НАСОСА	ЧУГУН 250 UNI ISO 185
3	ОПОРА	ЧУГУН 250 UNI ISO 185
4	РАБОЧЕЕ КОЛЕСО	ЧУГУН 250 UNI ISO 185
7A	ВАЛ НАСОСА	НЕРЖ. СТАЛЬ AISI 304 - UNI 6900/71
16	МЕХАНИЧЕСКАЯ ПРОКЛАДКА	ГРАФИТ/КАРБИД КРЕМНИЯ - EPDM
28	КОЛЬЦЕВАЯ ПРОКЛАДКА	EPDM
36	ДИСК ПРОКЛАДКИ	ЧУГУН 250 UNI ISO 185
37	ВАНТУЗ	НЕРЖ. СТАЛЬ AISI 304 - UNI 6900/71

NKM/NKP

STANDARDISED ENBLOC CENTRIFUGAL ELECTRIC PUMPS WITH INTEGRAL SHAFT

СТАНДАРТНЫЕ ЦЕНТРОБЕЖНЫЕ ЭЛЕКТРОНАСОСЫ МОНОБЛОК С ВСТРОЕННЫМ ВАЛОМ



2 POLES-MOTOR ДВИГАТЕЛЬ 2 ПОЛЮСА

2 POLES-MOTOR SINGLE-PHASE ДВИГАТЕЛЬ 2 ПОЛЮСА ОДНОФАЗНЫЙ

MODEL / МОДЕЛЬ	PRICE ЦЕНА €	CODE КОД	VOLUME m ³ ОБЪЕМ м ³	WEIGHT Kg ВЕС кг
NKP 32-125.1/102/A/BAQE/0.75/2		1D1K11D31	0,168	35,7
NKP 32-125.1/115/A/BAQE/1.1/2		1D1K11D41	0,168	36,2
NKP 32-125.1/125/A/BAQE/1.5/2		1D1K11D51	0,168	39,9
NKP 32-125.1/140/A/BAQE/2.2/2		1D1K11D61	0,168	46,4
NKP 32-125/110/A/BAQE/1.1/2		1D1111D41	0,168	36,2
NKP 32-125/120/A/BAQE/1.5/2		1D1111D51	0,168	39,9
NKP 32-125/130/A/BAQE/2.2/2		1D1111D61	0,168	46,4
NKP 32-125/142/A/BAQE/3/2 *		1D1111D72	0,168	51,8
NKP 32-160.1/155/A/BAQE/2.2/2		1D1L11D61	0,168	48,1
NKP 32-160.1/166/A/BAQE/3/2 *		1D1L11D72	0,168	53,5
NKP 32-160/151/A/BAQE/3/2 *		1D1211D72	0,168	54,2
NKP 32-160/163/A/BAQE/4/2 *		1D1211D82	0,168	56,0
NKP 32-160/177/A/BAQE/5,5/2 *		1D1211D92	0,168	61,9
NKP 32-200.1/188/A/BAQE/4/2 *		1D1M11D82	0,168	67,7
NKP 32-200.1 205/A/BAQE/5,5/2 *		1D1M11D92	0,168	73,6
NKP 32-200/190/A/BAQE/5.5/2 *		1D1311D92	0,168	72,7
NKP 32-200/210/A/BAQE/7.5/2 *		1D1311DA2	0,168	86,7
NKP 40-125/107/A/BAQE/1.5/2		1D2111D51	0,168	41,3
NKP 40-125/120/A/BAQE/2.2/2		1D2111D61	0,168	47,8
NKP 40-125/130/A/BAQE/3/2 *		1D2111D72	0,168	53,2
NKP 40-125/139/A/BAQE/4/2 *		1D2111D82	0,168	55,0
NKP 40-160/158/A/BAQE/5,5/2 *		1D2211D92	0,168	63,1
NKP 40-160/172/A/BAQE/7,5/2 *		1D2211DA2	0,168	77,1
NKP 40-200/210/A/BAQE/11/2 *		1D2311DB2	0,168	98,6
NKP 40-250/230/A/BAQE/15/2 *		1D2411DC2	0,168	114,3
NKP 40-250/245/A/BAQE/18,5/2 *		1D2411DD2	0,168	156,9
NKP 40-250/260/A/BAQE/22/2 *		1D2411DE2	0,168	173,9
NKP 50-125/115/A/BAQE/3/2 *		1D3111D72	0,168	56,2
NKP 50-125/125/A/BAQE/4/2 *		1D3111D82	0,168	58,0
NKP 50-125/135/A/BAQE/5,5/2 *		1D3111D92	0,168	63,9
NKP 50-125/144/A/BAQE/7,5/2 *		1D3111DA2	0,168	77,9
NKP 50-160/153/A/BAQE/7,5/2 *		1D3211DA2	0,168	79,3
NKP 50-160/169/A/BAQE/11/2 *		1D3211DB2	0,168	88,5
NKP 50-200/200/A/BAQE/15/2 *		1D3311DC2	0,168	107,6
NKP 50-200/210/A/BAQE/18,5/2 *		1D3311DD2	0,168	150,2
NKP 50-200/219/A/BAQE/22/2 *		1D3311DE2	0,168	167,2
NKP 50-250/230/A/BAQE/22/2 *		1D3411DE2	0,168	175,6
NKP 50-250/257/A/BAQE/30/2 *		1D3411DF2	0,168	200,6

MODEL / МОДЕЛЬ	PRICE ЦЕНА €	CODE КОД	VOLUME m ³ ОБЪЕМ м ³	WEIGHT Kg ВЕС кг
NKP 32-125.1/140/A/BAQE/2.2/2 M		1D9000179	0,168	41,0
NKP 32-125/130/A/BAQE/2.2/2 M		1D9000181	0,168	41,0
NKP 32-125/142/A/BAQE/3/2 M		1D9000180	0,168	45,6
NKP 32-160.1/155/A/BAQE/2.2/2 M		1D9000182	0,168	42,7
NKP 32-160.1/166/A/BAQE/3/2 M		1D9000183	0,168	47,3
NKP 32-160/151/A/BAQE/3/2 M		1D9000185	0,168	48,0
NKP 32-160/163/A/BAQE/4/2 M		1D9000184	0,168	55,1
NKP 32-200.1/188/A/BAQE/4/2 M		1D9000186	0,168	66,8
NKP 40-125/120/A/BAQE/2.2/2 M		1D9000189	0,168	42,4
NKP 40-125/130/A/BAQE/3/2 M		1D9000188	0,168	47,0
NKP 40-125/139/A/BAQE/4/2 M		1D9000187	0,168	54,1
NKP 50-125/115/A/BAQE/3/2 M		1D9000190	0,168	50,0
NKP 50-125/125/A/BAQE/4/2 M		1D9000191	0,168	57,1

* Star starting is possible
Accessories on page 194
Возможен запуск звезда
Принадлежности на стр. 194

The price does not include the counterflanges
В цену не включены контрфланцы

NKM/NKP

STANDARDISED ENBLOC CENTRIFUGAL ELECTRIC PUMPS WITH INTEGRAL SHAFT

СТАНДАРТНЫЕ ЦЕНТРОБЕЖНЫЕ ЭЛЕКТРОНАСОСЫ МОНОБЛОК С ВСТРОЕННЫМ ВАЛОМ



MODEL / МОДЕЛЬ	PRICE ЦЕНА €	CODE КОД	VOLUME m ³ ОБЪЕМ м ³	WEIGHT Kg ВЕС кг
NKM 32-125.1/140/A/BAQE/0.25/4		1D1K11DX3	0,1726	34,1
NKM 32-125/142/A/BAQE/0.37/4		1D1111D13	0,1726	34,9
NKM 32-160.1 169/A/BAQE/0.37/4		1D1L11D13	0,1726	36,6
NKM 32-160/169/A/BAQE/0.55/4		1D1211D23	0,1726	38,9
NKM 32-200.1 200/A/BAQE/0.55/4		1D1M11D23	0,1726	51,2
NKM 32-200/200/A/BAQE/0.75/4		1D1311D33	0,1726	51,7
NKM 32-200/219/A/BAQE/1,1 / 4		1D1311D43	0,1726	52,8
NKM 40-125/115/A/BAQE/0.25/4		1D2111DX3	0,1726	35,5
NKM 40-125/130/A/BAQE/0.37/4		1D2111D13	0,1726	36,3
NKM 40-125/142/A/BAQE/0.55/4		1D2111D23	0,1726	38,5
NKM 40-160/153/A/BAQE/0.55/4		1D2211D23	0,1726	40,7
NKM 40-160/166/A/BAQE/0.75/4		1D2211D33	0,1726	42,1
NKM 40-200/200/A/BAQE/1,1/4		1D2311D43	0,1726	55,5
NKM 40-200/219/A/BAQE/1,5/4		1D2311D53	0,1726	58,0
NKM 40-250/245/A/BAQE/2,2/4		1D2411D63	0,1726	68,7
NKM 40-250/260/A/BAQE/3/4 *		1D2411D74	0,1726	74,4
NKM 50-125/130/A/BAQE/0.55/4		1D3111D23	0,1726	41,5
NKM 50-125/141/A/BAQE/0.75/4		1D3111D33	0,1726	42,9
NKM 50-160/161/A/BAQE/1.1/4		1D3211D43	0,1726	45,4
NKM 50-160/177/A/BAQE/1,5/4		1D3211D53	0,1726	47,9
NKM 50-200/210/A/BAQE/2,2/4		1D3311D63	0,1726	62,8
NKM 50-200/219/A/BAQE/3/4 *		1D3311D74	0,1726	68,5
NKM 50-250/263/A/BAQE/4/4 *		1D3411D84	0,1726	78,6

* Star starting is possible / Возможен запуск звезда
Accessories on page 194 / Принадлежности на стр. 194

The price does not include the counterflanges /
В цену не включены контрфланцы

**4 POLES-MOTOR
ДВИГАТЕЛЬ 4 ПОЛЮСА**

SPECIAL MECHANICAL SEALS / СПЕЦИАЛЬНЫЕ МЕХАНИЧЕСКИЕ ПРОКЛАДКИ

MODEL МОДЕЛЬ	PRICE * / ЦЕНА * € Seal BQQE (1) / Прокладка BQQE (1)	PRICE * / ЦЕНА * € Seal BQQV (2) / Прокладка BQQV (2)	PRICE * / ЦЕНА * € Seal BAQV (3) / Прокладка BAQV (3)
NKM / NKP 32 / 125.1			
NKM / NKP 32 / 160.1			
NKM / NKP 32 / 200.1			
NKM / NKP 32 / 125			
NKM / NKP 32 / 160			
NKM / NKP 32 / 200			
NKM / NKP 40 / 125			
NKM / NKP 40 / 160			
NKM / NKP 40 / 200			
NKM / NKP 40 / 250			
NKM / NKP 50 / 125			
NKM / NKP 50 / 160			
NKM / NKP 50 / 200			
NKM / NKP 50 / 250			

* The price is to be added to the price list of electric pumps in the standard version.
* Цену следует добавить к стоимости стандартных электронасосов.

- (1) Ref. technical catalogue
"BQQE version" seal = seal with rubber bellow:
Silicon carbide / Silicon carbide / EPDM
- (2) Ref. technical catalogue
"BQQV version" seal = seal with rubber bellow:
Silicon carbide / Silicon carbide / Viton
- (3) Ref. technical catalogue
"BAQV Version" seal = with rubber bellow
Carbon / Silicon carbide / Viton

- (1) См. технический каталог
Прокладка "Модель BQQE" = прокладка с гармошкой
Карбид кремния / карбид кремния / EPDM
- (2) См. технический каталог
Прокладка "BQQE" = с гармошкой из
резины: Карбид кремния / карбид кремния / Витон
- (3) См. технический каталог
Прокладка "Модель BAQE" = с гармошкой из
резины: Графит / карбид кремния / Витон

TECHNICAL DATA / ТЕХНИЧЕСКИЕ ХАРАКТЕРИСТИКИ

4-POLES/ПОЛЮСА (1450 1/min)

MODEL / МОДЕЛЬ	ELECTRICAL DATA / ЭЛЕКТРИЧЕСКИЕ ХАРАКТЕРИСТИКИ					
	VOLTAGE 50 Hz НАПРЯЖЕНИЕ 50 Гц	P2 NOMINAL P2 НОМИНАЛ kW HP		In A	Ø	
					DNA	DNM
NKM 32-125.1/140/0.25/4	3x230-400 V ~	0.25	0.33	1.6 - 0.9	50	32
NKM 32-125/142/0.37/4	3x230-400 V ~	0.37	0.5	2.1 - 1.2	50	32
NKM 32-160.1 169/0.37/4	3x230-400 V ~	0.37	0.5	2.1 - 1.2	50	32
NKM 32-160/169/0.55/4	3x230-400 V ~	0.55	0.75	2.9 - 1.7	50	32
NKM 32-200.1 200/0.55/4	3x230-400 V ~	0.55	0.75	2.9 - 1.7	50	32
NKM 32-200/200/0.75/4	3x230-400 V ~	0.75	1	3.8 - 2.2	50	32
NKM 32-200/219/1,1 /4	3x230-400 V ~	1.1	1.5	5.2 - 3.0	50	32
NKM 40-125/115/0.25/4	3x230-400 V ~	0.25	0.33	1.6 - 0.9	65	40
NKM 40-125/130/0.37/4	3x230-400 V ~	0.37	0.5	2.1 - 1.2	65	40
NKM 40-125/142/0.55/4	3x230-400 V ~	0.55	0.75	2.9 - 1.7	65	40
NKM 40-160/153/0.55/4	3x230-400 V ~	0.55	0.75	2.9 - 1.7	65	40
NKM 40-160/166/0.75/4	3x230-400 V ~	0.75	1	3.8 - 2.2	65	40
NKM 40-200/200/1,1/4	3x230-400 V ~	1.1	1.5	5.2 - 3.0	65	40
NKM 40-200/219/1,5/4	3x230-400 V ~	1.5	2	6.4 - 3.7	65	40
NKM 40-250/245/2,2/4	3x230-400 V ~	2.2	3	9.2 - 5.3	65	40
NKM 40-250/260/3/4	3x400 V ~ Δ*	3	4	7.1	65	40
NKM 50-125/130/0.55/4	3x230-400 V ~	0.55	0.75	2.9 - 1.7	65	50
NKM 50-125/141/0.75/4	3x230-400 V ~	0.75	1	3.8 - 2.2	65	50
NKM 50-160/161/1.1/4	3x230-400 V ~	1.1	1.5	5.2 - 3.0	65	50
NKM 50-160/177/1,5/4	3x230-400 V ~	1.5	2	6.4 - 3.7	65	50
NKM 50-200/210/2,2/4	3x230-400 V ~	2.2	3	9.4 - 5.4	65	50
NKM 50-200/219/3/4	3x400 V ~ Δ*	3	4	7.1	65	50
NKM 50-250/263/4/4	3x400 V ~ Δ*	4	5.5	8.8	65	50

* Star starting is possible / * Возможен запуск звезда

TECHNICAL DATA / ТЕХНИЧЕСКИЕ ХАРАКТЕРИСТИКИ

2-POLES/ПОЛЮСА (2900 1/min)

MODEL / МОДЕЛЬ	ELECTRICAL DATA / ЭЛЕКТРИЧЕСКИЕ ХАРАКТЕРИСТИКИ					
	VOLTAGE 50 Hz НАПРЯЖЕНИЕ 50 Гц	P2 NOMINAL P2 НОМИНАЛ kW HP		In A	Ø DNA DNM	
NKP 32-125.1/102/0.75/2	3x230-400 V ~	0.75	1	3.5 - 2.0	50	32
NKP 32-125.1/115/1.1/2	3x230-400 V ~	1.1	1.5	5.2 - 3.0	50	32
NKP 32-125.1/125/1.5/2	3x230-400 V ~	1.5	2	6.2 - 3.6	50	32
NKP 32-125.1/140/2.2/2	3x220-240 V ~	2.2	3	13.7	50	32
NKP 32-125.1/140/2.2/2 M	3x230-400 V ~	2.2	3	9.2 - 5.3	50	32
NKP 32-125/110/1.1/2	3x230-400 V ~	1.1	1.5	5.2 - 3.0	50	32
NKP 32-125/120/1.5/2	3x230-400 V ~	1.5	2	6.2 - 3.6	50	32
NKP 32-125/130/2.2/2	3x220-240 V ~	2.2	3	13.7	50	32
NKP 32-125/130/2.2/2 M	3x230-400 V ~	2.2	3	9.2 - 5.3	50	32
NKP 32-125/142/3/2	3x220-240 V ~	3	4	18.0	50	32
NKP 32-125/142/3/2 M	3x230-400 V ~	3	4	6.7	50	32
NKP 32-160.1/155/2.2/2	3x220-240 V ~	2.2	3	13.7	50	32
NKP 32-160.1/155/2.2/2 M	3x400 V ~ Δ*	2.2	3	9.2 - 5.3	50	32
NKP 32-160.1/166/3/2	3x220-240 V ~	3	4	18.0	50	32
NKP 32-160.1/166/3/2 M	3x230-400 V ~	3	4	6.7	50	32
NKP 32-160/151/3/2	3x220-240 V ~	3	4	18	50	32
NKP 32-160/151/3/2 M	3x400 V ~ Δ*	3	4	6.7	50	32
NKP 32-160/163/4/2	3x220-240 V ~	4	5.5	24	50	32
NKP 32-160/163/4/2 M	3x400 V ~ Δ*	4	5.5	8.7	50	32
NKP 32-160/177/5,5/2	3x230-400 V ~	5.5	7.5	11.6	50	32
NKP 32-200.1/188/4/2	3x220-240 V ~	4	5.5	24	50	32
NKP 32-200.1/188/4/2 M	3x400 V ~ Δ*	4	5.5	8.7	50	32
NKP 32-200.1 205/5,5/2	3x400 V ~ Δ*	5.5	7.5	11.67	50	32
NKP 32-200/190/5,5/2	3x220-240 V ~	5.5	7.5	11.6	50	32
NKP 32-200/210/7,5/2	3x400 V ~ Δ*	7.5	10	14	50	32
NKP 40-125/107/1.5/2	3x400 V ~ Δ*	1.5	2	6.2 - 3.6	65	40
NKP 40-125/120/2.2/2	3x400 V ~ Δ*	2.2	3	6.7	65	40
NKP 40-125/120/2.2/2 M	3x400 V ~ Δ*	2.2	3	9.2 - 5.3	65	40
NKP 40-125/130/3/2	3x230-400 V ~	3	4	13.7	65	40
NKP 40-125/130/3/2 M	3x220-240 V ~	3	4	8.7	65	40
NKP 40-125/139/4/2	3x230-400 V ~	4	5.5	24	65	40
NKP 40-125/139/4/2 M	3x220-240 V ~	4	5.5	18	65	40
NKP 40-160/158/5,5/2	3x400 V ~ Δ*	5.5	7.5	11.6	65	40
NKP 40-160/172/7,5/2	3x220-240 V ~	7.5	10	14	65	40
NKP 40-200/210/11/2	3x400 V ~ Δ*	11	15	22.5	65	40
NKP 40-250/230/15/2	3x400 V ~ Δ*	15	20	31	65	40
NKP 40-250/245/18,5/2	3x400 V ~ Δ*	18.5	25	36	65	40
NKP 40-250/260/22/2	3x400 V ~ Δ*	22	30	43	65	40
NKP 50-125/115/3/2	3x220-240 V ~	3	4	18.0	65	50
NKP 50-125/115/3/2 M	3x400 V ~ Δ*	3	4	6.7	65	50
NKP 50-125/125/4/2	3x220-240 V ~	4	5.5	24.0	65	50
NKP 50-125/125/4/2 M	3x400 V ~ Δ*	4	5.5	8.7	65	50
NKP 50-125/135/5,5/2	3x400 V ~ Δ*	5.5	7.5	11.6	65	50
NKP 50-125/144/7,5/2	3x400 V ~ Δ*	7.5	10	14	65	50
NKP 50-160/153/7,5/2	3x400 V ~ Δ*	7.5	10	14	65	50
NKP 50-160/169/11/2	3x400 V ~ Δ*	11	15	22.5	65	50
NKP 50-200/200/15/2	3x400 V ~ Δ*	15	20	31	65	50
NKP 50-200/210/18,5/2	3x400 V ~ Δ*	18.5	25	36	65	50
NKP 50-200/219/22/2	3x400 V ~ Δ*	22	30	43	65	50
NKP 50-250/230/22/2	3x400 V ~ Δ*	22	30	43	65	50
NKP 50-250/257/30/2	3x400 V ~ Δ*	30	40	57	65	50

* Star starting is possible / * Возможен запуск звезда

NKM-G NKP-G

STANDARDISED ENBLOC CENTRIFUGAL ELECTRIC PUMPS WITH COUPLING MADE TO DIN-EN 733

СТАНДАРТНЫЕ ЦЕНТРОБЕЖНЫЕ ЭЛЕКТРОНАСОСЫ МОНОБЛОК С СОЕДИНЕНИЕМ, ПО СТАНДАРТУ DIN-EN 733



Enbloc, centrifugal electric pumps with coupling designed for a wide range of applications such as:

- supplying water.
- circulation of hot water for central heating.
- circulation of cold water for air conditioning and refrigerating.
- transfer of liquids in agriculture, horticulture and industries.
- implementation of pumping systems.

Single-stage, cast iron spiral body made to DIN-EN 733 (formerly DIN 24255), cast iron support, flanges in accordance with DIN 2533 and DIN 2532 for DN 200. Impeller in cast iron, encased and dynamically balanced with compensation of the axial thrust by means of balancing holes, operating (on request) with interchangeable consumable rings. AISI 304 stainless steel pump shaft. Seal: standardised mechanical seal made to DIN 24960 in carbon/carborundum with O' rings in EPDM. Closed, asynchronous motor with external ventilation, construction type B3/B5, 2 poles for NKP and 4 poles for NKM.

We recommend using overload protection for the motor, in accordance with current norms. In the case of liquids denser than water, the motors must be proportionally more powerful.

Центробежные насосы моноблок с соединением спроектированы для широкого спектра применений, таких, как:

- водоснабжение.
- циркуляция горячей воды отопления.
- циркуляция холодной воды кондиционирования и охлаждения.
- перекачивание жидкостей в сельском хозяйстве, садоводстве и промышленности.
- реализация насосных станций.

Спиралевидный одноступенчатый корпус насоса из чугуна соответствует стандарту DIN-EN 733 (ex DIN 24255), опоры из чугуна, фланцы соответствуют стандарту DIN 2533 и DIN 2532 для DN 200. Рабочее колесо из чугуна, закрытое и динамически сбалансированное с компенсацией осевого толчка при помощи уравновешивающих отверстий, работающее (по заказу) на заменяемых кольцевых прокладках. Вал насоса сделан из нержавеющей стали AISI 304. Уплотняющая прокладка: стандартная механическая прокладка по стандарту DIN 24960 из графита/карбида кремния, с кольцевыми уплотнениями из EPDM. Асинхронный двигатель закрытого типа с внешней вентиляцией, конструктивная форма B3/B5, двухполюсный для моделей NKP, четырёхполюсный – для моделей NKM. Для защиты трехфазного двигателя рекомендуется использовать дистанционную защиту двигателя, в соответствии с действующими законами и нормами. При наличии жидкостей, превышающих по плотности воду, мощности двигателей должны пропорционально увеличиваться.

Speed of rotation: 1450 - 2900 1/min.

Operating range: from 1 to 500 m³/h with a head of up to 100 metres.

Pumped liquid: clean, without solid or abrasive substances, not viscous, not aggressive, not crystallised and chemically neutral, close to water characteristics.

Liquid temperature range: from -10°C to +140°C.

Maximum ambient temperature: +40°C.

Maximum working pressure: 16 bar - 1600 kPa (for DN 200 max. 10 bar).

Flanging: PN 16 DIN 2533 - PN 10 DIN 2532 for DN 200

Installation: normally horizontal or vertical provided the motor is always above the pump.

Special versions on request: pumps for liquids other than water.

Other voltages and/or frequencies.

Скорость вращения: 1450 - 2900 1/мин.

Рабочий диапазон: от 1 до 500 м³/ч, с напором до 100 метров.

Перекачиваемая жидкость: чистая, не содержащая твердых или абразивных частиц, невязкая, не агрессивная, не кристаллизованная, химически нейтральная, близкая по характеристикам к воде.

Диапазон температуры жидкости: от -10°C до +140°C.

Максимальная температура окружающей среды: +40°C.

Максимальное рабочее давление: 16 бар - 1600 кПа (для DN 200 макс. 10 бар).

Фланцы: PN 16 DIN 2533 - PN 10 DIN 2532 для DN 200

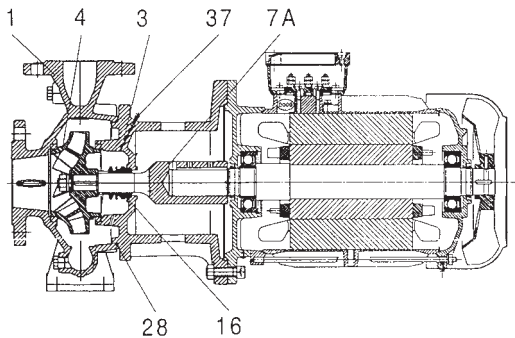
Монтаж: Обычно в горизонтальном или вертикальном положении, если двигатель находится всегда над насосом.

Специальное исполнение по заказу: Насосы для жидкостей, отличных от воды.

Другая частота и/или напряжение.

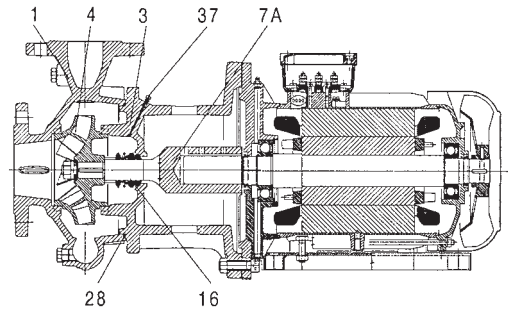
VERSION WITH MOTOR UP TO AND INCLUDING 7,5 KW

ВАРИАНТ С ДВИГАТЕЛЕМ ДО 7,5 КВТ ВКЛЮЧИТЕЛЬНО



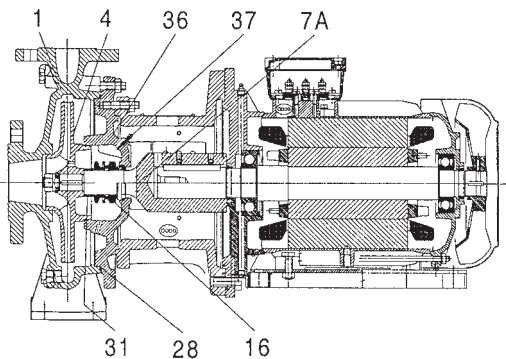
VERSION WITH MOTOR OVER 7,5 KW

ВАРИАНТ С ДВИГАТЕЛЕМ СВЫШЕ 7,5 КВТ



VERSION FOR MODELS: NKM-G 65-315/309/A/BAQE/11/4,
NKM-G100-315/316/A/BAQE/22/4, NKM-G125-250/243/A/BAQE/15/4,
NKM-G 80-200/200/A/BAQE/4/4,
NKM-G 80-250/270/A/BAQE/11/4, NKM-G 80-315/305/A/BAQE/15 /4,
NKM-G 80-315/320/A/BAQE/18,5/4, NKM-G 80-315/334/A/BAQE/22/4
NKM-G100-250/250/A/BAQE/11/4, NKM-G150-200/218/A/BAQE/11/4

ВАРИАНТ ДЛЯ МОДЕЛЕЙ: NKM-G 65-315/309/A/BAQE/11/4,
NKM-G100-315/316/A/BAQE/22/4, NKM-G125-250/243/A/BAQE/15/4,
NKM-G 80-200/200/A/BAQE/4/4,
NKM-G 80-250/270/A/BAQE/11/4, NKM-G 80-315/305/A/BAQE/15 /4,
NKM-G 80-315/320/A/BAQE/18,5/4, NKM-G 80-315/334/A/BAQE/22/4
NKM-G100-250/250/A/BAQE/11/4, NKM-G150-200/218/A/BAQE/11/4



N.	PARTS	MATERIALS (STANDARD VERSION)
1	PUMP BODY	250 UNI ISO 185 CAST IRON
3	SUPPORT	250 UNI ISO 185 CAST IRON
4	IMPELLER	250 UNI ISO 185 CAST IRON
7A	PUMP SHAFT	AISI 304 - UNI 6900/71 STAINLESS STEEL
16	MECHANICAL SEAL	CARBON/CARBORUNDUM - EPDM
28	O RING	VITON
31	SPACER SEAL	AISI 304 - UNI 6900/71 STAINLESS STEEL
36	SEAL HOLDER DISK	250 UNI ISO 185 CAST IRON
37	BLEED COCK	AISI 304 - UNI 6900/71 STAINLESS STEEL

N.	PARTS	MATERIALS (STANDARD VERSION)
4	IMPELLER	BRONZE GCuSn5Zn5Pb5 UNI 7013/8a-72
16	MECHANICAL SEAL	CARBON/CARBORUNDUM - PTFE CARBORUNDUM/CARBORUNDUM - VITON CARBON/ CARBORUNDUM - VITON

№	ДЕТАЛИ	МАТЕРИАЛЫ (СЕРИЙНЫЙ ВАРИАНТ)
1	КОРПУС НАСОСА	ЧУГУН 250 UNI ISO 185
3	ОПОРА	ЧУГУН 250 UNI ISO 185
4	РАБОЧЕЕ КОЛЕСО	ЧУГУН 250 UNI ISO 185
7A	ВАЛ НАСОСА	НЕРЖ. СТАЛЬ AISI 304 - UNI 6900/71
16	МЕХАНИЧЕСКАЯ ПРОКЛАДКА	ГРАФИТ/КАРБИД КРЕМНИЯ - EPDM
28	КОЛЬЦЕВАЯ ПРОКЛАДКА	ВИТОН
31	РАСПОРНАЯ УПЛОТНИТЕЛЬНАЯ ДЕТАЛЬ	НЕРЖ. СТАЛЬ AISI 304 - UNI 6900/71
36	ДИСК ПРОКЛАДКИ	ЧУГУН 250 UNI ISO 185
37	ВАНТУЗ	НЕРЖ. СТАЛЬ AISI 304 - UNI 6900/71

№	ДЕТАЛИ	МАТЕРИАЛЫ (СЕРИЙНЫЙ ВАРИАНТ)
4	РАБОЧЕЕ КОЛЕСО	БРОНЗА GCUSN5ZN5PB5 UNI 7013/8a-72
16	МЕХАНИЧЕСКАЯ ПРОКЛАДКА	ГРАФИТ/КАРБИД КРЕМНИЯ - PTFE КАРБИД КРЕМНИЯ / КАРБИД КРЕМНИЯ - ВИТОН ГРАФИТ/КАРБИД КРЕМНИЯ - ВИТОН

NKM-G

STANDARDISED ENBLOC CENTRIFUGAL ELECTRIC PUMPS WITH COUPLING MADE TO DIN-EN 733

СТАНДАРТНЫЕ ЦЕНТРОБЕЖНЫЕ ЭЛЕКТРОНАСОСЫ
МОНОБЛОК С СОЕДИНЕНИЕМ, ПО СТАНДАРТУ DIN-EN 733



CAST IRON IMPELLER / РАБОЧЕЕ КОЛЕСО ИЗ ЧУГУНА

MODEL / МОДЕЛЬ	PRICE / ЦЕНА €	CODE / КОД	VOLUME m ³ ОБЪЕМ м ³	WEIGHT Kg ВЕС кг
NKM-G 32-125.1/140/A/BAQE/0.25/4		1D1K11BX3	0,1726	19
NKM-G 32-125/142/A/BAQE/0.37/4		1D1111B13	0,1726	30,2
NKM-G 32-160.1 169/A/BAQE/0.37/4		1D1L11B13	0,1726	43
NKM-G 32-160/169/A/BAQE/0,55/4		1D1211B23	0,1726	44,5
NKM-G 32-200.1 200/A/BAQE/0,55/4		1D1M11B23	0,1726	46
NKM-G 32-200/200/A/BAQE/0,75/4		1D1311B33	0,1726	48,5
NKM-G 32-200/219/A/BAQE/1,1/4		1D1311B43	0,1726	51
NKM-G 40-125/115/A/BAQE/0.25/4		1D2111BX3	0,1726	33
NKM-G 40-125/130/A/BAQE/0.37/4		1D2111B13	0,1726	35,3
NKM-G 40-125/142/A/BAQE/0.55/4		1D2111B23	0,1726	48
NKM-G 40-160/153/A/BAQE/0.55/4		1D2211B23	0,1726	49
NKM-G 40-160/166/A/BAQE/0.75/4		1D2211B33	0,1726	50
NKM-G 40-200/200/A/BAQE/1,1/4		1D2311B43	0,1726	53
NKM-G 40-200/219/A/BAQE/1,5/4		1D2311B53	0,1726	55,7
NKM-G 40-250/245/A/BAQE/2,2/4		1D2411B63	0,1726	78
NKM-G 40-250/260/A/BAQE/3/4		1D2411B74	0,1726	74,3
NKM-G 50-125/130/A/BAQE/0.55/4		1D3111B23	0,1726	42
NKM-G 50-125/141/A/BAQE/0.75/4		1D3111B33	0,1726	43,6
NKM-G 50-160/161/A/BAQE/1.1/4		1D3211B43	0,1726	52,3
NKM-G 50-160/177/A/BAQE/1,5/4		1D3211B53	0,1726	49
NKM-G 50-200/210/A/BAQE/2,2/4		1D3311B63	0,1726	74
NKM-G 50-200/219/A/BAQE/3/4		1D3311B74	0,1726	66,8
NKM-G 50-250/263/A/BAQE/4/4		1D3411B84	0,1726	90
NKM-G 65-125/130/A/BAQE/0.75/4		1D4111B33	0,1726	57
NKM-G 65-125/144/A/BAQE/1.1/4		1D4111B43	0,1726	63
NKM-G 65-160/153/A/BAQE/1,1/4		1D4211B43	0,1726	56,5
NKM-G 65-160/165/A/BAQE/1,5/4		1D4211B53	0,1726	53
NKM-G 65-160/177/A/BAQE/2,2/4		1D4211B63	0,1726	61,3
NKM-G 65-200/210/A/BAQE/3/4		1D4311B74	0,1726	74,9
NKM-G 65-200/219/A/BAQE/4/4		1D4311B84	0,1726	80,1
NKM-G 65-250/263/A/BAQE/5,5/4		1D4411B94	0,3563	146
NKM-G 65-315/279/A/BAQE/7,5/4		1D4511BA4	0,3563	161,6
NKM-G 65-315/309/A/BAQE/11/4		1D4511BB4	0,3563	194
NKM-G 80-160/153-136/A/BAQE/1.5/4		1D5211B53	0,1726	62,2
NKM-G 80-160/163/A/BAQE/2,2/4		1D5211B63	0,3813	71
NKM-G 80-160/177/A/BAQE/3/4		1D5211B74	0,3813	74
NKM-G 80-200/200/A/BAQE/4/4		1D5311B84	0,3563	144,4
NKM-G 80-200/222/A/BAQE/5,5/4		1D5311B94	0,3563	120
NKM-G 80-250/240/A/BAQE/7,5/4		1D5411BA4	0,3563	170
NKM-G 80-250/270/A/BAQE/11/4		1D5411BB4	0,3563	255
NKM-G 80-315/305/A/BAQE/15/4		1D5511BC4	0,4936	227
NKM-G 80-315/320/A/BAQE/18,5/4		1D5511BD4	0,4936	244
NKM-G 80-315/334/A/BAQE/22/4		1D5511BE4	0,4936	257,3
NKM-G100-200/200/A/BAQE/5.5/4		1D6311B94	0,3563	135
NKM-G100-200/214/A/BAQE/7.5/4		1D6311BA4	0,3563	140
NKM-G100-250/250/A/BAQE/11/4		1D6411BB4	0,3563	267
NKM-G100-250/270/A/BAQE/15/4		1D6411BC4	0,4936	295
NKM-G100-315/300/A/BAQE/18.5/4		1D6511BD4	0,4936	313
NKM-G100-315/316/A/BAQE/22/4		1D6511BE4	0,4936	325
NKM-G125-250/243/A/BAQE/15/4		1D7411BC4	0,4963	240
NKM-G125-250/256/A/BAQE/18,5/4		1D7411BD4	0,4936	258
NKM-G125-250/266/A/BAQE/22/4		1D7411BE4	0,4936	270,4
NKM-G150-200/218/A/BAQE/11/4		1D8311BB4	0,6611	-

BRONZE IMPELLER / РАБОЧЕЕ КОЛЕСО ИЗ БРОНЗЫ

PRICE / ЦЕНА €	CODE / КОД	VOLUME m ³ ОБЪЕМ м ³	WEIGHT Kg ВЕС кг
	1D1K21BX3	0,1726	19
	1D1121B13	0,1726	30,2
	1D1L21B13	0,1726	43
	1D1221B23	0,1726	44,5
	1D1M21B23	0,1726	46
	1D1321B33	0,1726	48,5
	1D1321B43	0,1726	51
	1D2121BX3	0,1726	33
	1D2121B13	0,1726	35,3
	1D2121B23	0,1726	48
	1D2221B23	0,1726	49
	1D2221B33	0,1726	50
	1D2321B43	0,1726	53
	1D2321B53	0,1726	55,7
	1D2421B63	0,1726	78
	1D2421B74	0,1726	74,3
	1D3121B23	0,1726	42
	1D3121B33	0,1726	43,6
	1D3221B43	0,1726	52,3
	1D3221B53	0,1726	49
	1D3321B63	0,1726	74
	1D3321B74	0,1726	66,8
	1D3421B84	0,1726	90
	1D4121B33	0,1726	57
	1D4121B43	0,1726	63
	1D4221B43	0,1726	56,5
	1D4221B53	0,1726	53
	1D4221B63	0,1726	61,3
	1D4321B74	0,1726	74,9
	1D4321B84	0,1726	80,1
	1D4421B94	0,3563	146
	1D4521BA4	0,3563	161,6
	1D4521BB4	0,3563	194
	1D5221B53	0,1726	62,2
	1D5221B63	0,3813	71
	1D5221B74	0,3813	74
	1D5321B84	0,3563	144,4
	1D5321B94	0,3563	120
	1D5421BA4	0,3563	170
	1D5421BB4	0,3563	255
	1D5521BC4	0,4936	227
	1D5521BD4	0,4936	244
	1D5521BE4	0,4936	257,3
	1D6321B94	0,3563	135
	1D6321BA4	0,3563	140
	1D6421BB4	0,3563	267
	1D6421BC4	0,4936	295
	1D6521BD4	0,4936	313
	1D6521BE4	0,4936	325
	1D7421BC4	0,4963	240
	1D7421BD4	0,4936	258
	1D7421BE4	0,4936	270,4
	1D8321BB4	0,6611	-

4
POLES-MOTOR
ДВИГАТЕЛЬ 4
ПОЛЮСА

The price does not include the counterflanges / В цену не включены контрфланцы

* Star starting is possible / Accessories on page 192

* Возможен запуск звезда / Принадлежности на стр. 192

DAB PUMPS reserve the right to make modifications without prior notice
DAB PUMPS оставляет за собой право вносить изменения без предварительного извещения



TECHNICAL DATA / ТЕХНИЧЕСКИЕ ХАРАКТЕРИСТИКИ

4-POLES (1450 1/min)
4 ПОЛЮСА (1450 1/min)

MODEL МОДЕЛЬ	ELECTRICAL DATA / ЭЛЕКТРИЧЕСКИЕ ХАРАКТЕРИСТИКИ						
	MOTOR SIZE ВЕЛИЧИНА ДВИГАТЕЛЯ	VOLTAGE 50 Hz НАПРЯЖЕНИЕ 50 Гц	P2 NOMINAL P2 НОМИНАЛ		In A	Ø	
			kW	HP		DNA	DNM
NKM-G 32-125.1/140/A/BAQE/0.25/4	MEC 71	3x230-400 V ~	0.25	0.33	1.2 - 0.7	50	32
NKM-G 32-125/142/A/BAQE/0.37/4	MEC 71	3x230-400 V ~	0.37	0.5	2-1.18	50	32
NKM-G 32-160.1/169/A/BAQE/0.37/4	MEC 71	3x230-400 V ~	0.37	0.5	2 - 1.18	50	32
NKM-G 32-160/169/A/BAQE/0.55/4	MEC 80	3x230-400 V ~	0.55	0.75	2.8 - 1.6	50	32
NKM-G 32-200.1/200/A/BAQE/0.55/4	MEC 80	3x230-400 V ~	0.55	0.75	2.8 - 1.6	50	32
NKM-G 32-200/200/A/BAQE/0.75/4	MEC 80	3x230-400 V ~	0.75	1	3.8 - 2.2	50	32
NKM-G 32-200/219/A/BAQE/1.1/4	MEC 90 S	3x230-400 V ~	1.1	1.5	5 - 2.9	50	32
NKM-G 40-125/115/A/BAQE/0.25/4	MEC 71	3x230-400 V ~	0.25	0.33	1.2-0.7	65	40
NKM-G 40-125/130/A/BAQE/0.37/4	MEC 71	3x230-400 V ~	0.37	0.5	2-1.18	65	40
NKM-G 40-125/142/A/BAQE/0.55/4	MEC 71	3x230-400 V ~	0.55	0.75	2.9 - 1.7	65	40
NKM-G 40-160/153/A/BAQE/0.55/4	MEC 71	3x230-400 V ~	0.55	0.75	2.9 - 1.7	65	40
NKM-G 40-160/166/A/BAQE/0.75/4	MEC 80	3x230-400 V ~	0.75	1	3.8 - 2.2	65	40
NKM-G 40-200/200/A/BAQE/1.1/4	MEC 90 S	3x230-400 V ~	1.1	1.5	5-2.9	65	40
NKM-G 40-200/219/A/BAQE/1.5/4	MEC 90 L	3x230-400 V ~	1.5	2	6.2-3.6	65	40
NKM-G 40-250/245/A/BAQE/2.2/4	MEC 100 L	3x230-400 V ~	2.2	3	9.2 - 5.3	65	40
NKM-G 40-250/260/A/BAQE/3 /4	MEC 100 L	3x400 V ~ Δ*	3	4	6.7	65	40
NKM-G 50-125/130/A/BAQE/0.55/4	MEC 71	3x230-400 V ~	0.55	0.75	2.9 - 1.7	65	50
NKM-G 50-125/141/A/BAQE/0.75/4	MEC 80	3x230-400 V ~	0.75	1	3.8 - 2.2	65	50
NKM-G 50-160/161/A/BAQE/1.1/4	MEC 90 S	3x230-400 V ~	1.1	1.5	5-2.9	65	50
NKM-G 50-160/177/A/BAQE/1.5/4	MEC 90 L	3x230-400 V ~	1.5	2	6.2-3.6	65	50
NKM-G 50-200/210/A/BAQE/2.2/4	MEC 100 L	3x230-400 V ~	2.2	3	9.2 - 5.3	65	50
NKM-G 50-200/219/A/BAQE/3 /4	MEC 100 L	3x400 V ~ Δ*	3	4	6.7	65	50
NKM-G 50-250/263/A/BAQE/4 /4	MEC 112 M	3x400 V ~ Δ*	4	5.5	8.2	65	50
NKM-G 65-125/130/A/BAQE/0.75/4	MEC 80	3x230-400 V ~	0.75	1	3.8 - 2.2	80	65
NKM-G 65-125/144/A/BAQE/1.1/4	MEC 90 S	3x230-400 V ~	1.1	1.5	5-2.9	80	65
NKM-G 65-160/153/A/BAQE/1.1/4	MEC 90 S	3x230-400 V ~	1.1	1.5	5-2.9	80	65
NKM-G 65-160/165/A/BAQE/1.5/4	MEC 90 L	3x230-400 V ~	1.5	2	6.2 - 3.6	80	65
NKM-G 65-160/177/A/BAQE/2.2/4	MEC 100 L	3x230-400 V ~	2.2	3	9.2 - 5.3	80	65
NKM-G 65-200/210/A/BAQE/3 /4	MEC 100 L	3x400 V ~ Δ*	3	4	6.7	80	65
NKM-G 65-200/219/A/BAQE/4 /4	MEC 112 M	3x400 V ~ Δ*	4	5.5	8.2	80	65
NKM-G 65-250/263/A/BAQE/5.5/4	MEC 132 S	3x400 V ~ Δ*	5.5	7.5	11.3	80	65
NKM-G 65-315/279/A/BAQE/7.5/4	MEC 132 M	3x400 V ~ Δ*	7.5	10	14.7	80	65
NKM-G 65-315/309/A/BAQE/11 /4	MEC 160 M	3x400 V ~ Δ*	11	15	22	80	65
NKM-G 80-160/153-136/A/BAQE/1.5/4	MEC 90 L	3x230-400 V ~	1.5	2	6.2 - 3.6	100	80
NKM-G 80-160/163/A/BAQE/2.2/4	MEC 100 L	3x230-400 V ~	2.2	3	9.2 - 5.3	100	80
NKM-G 80-160/177/A/BAQE/3 /4	MEC 100 L	3x400 V ~ Δ*	3	4	6.7	100	80
NKM-G 80-200/200/A/BAQE/4 /4	MEC 112 M	3x400 V ~ Δ*	4	5.5	8.2	100	80
NKM-G 80-200/222/A/BAQE/5.5/4	MEC 132 S	3x400 V ~ Δ*	5.5	7.5	11.3	100	80
NKM-G 80-250/240/A/BAQE/7.5/4	MEC 132 M	3x400 V ~ Δ*	7.5	10	14.7	100	80
NKM-G 80-250/270/A/BAQE/11 /4	MEC 160 M	3x400 V ~ Δ*	11	15	22	100	80
NKM-G 80-315/305/A/BAQE/15 /4	MEC 160 L	3x400 V ~ Δ*	15	20	29	100	80
NKM-G 80-315/320/A/BAQE/18.5/4	MEC 180 M	3x400 V ~ Δ*	18.5	25	35	100	80
NKM-G 80-315/334/A/BAQE/22 /4	MEC 180 L	3x400 V ~ Δ*	22	30	41	100	80
NKM-G100-200/200/A/BAQE/5.5/4	MEC 132 S	3x400 V ~ Δ*	5.5	7.5	11.3	125	150
NKM-G100-200/214/A/BAQE/7.5/4	MEC 132 M	3x400 V ~ Δ*	7.5	10	14.7	125	150
NKM-G100-250/250/A/BAQE/11 /4	MEC 160 M	3x400 V ~ Δ*	11	15	22	125	150
NKM-G100-250/270/A/BAQE/15 /4	MEC 160 L	3x400 V ~ Δ*	15	20	29	125	150
NKM-G100-315/300/A/BAQE/18.5/4	MEC 180 M	3x400 V ~ Δ*	18.5	25	35	125	150
NKM-G100-315/316/A/BAQE/22 /4	MEC 180 L	3x400 V ~ Δ*	22	30	41	125	150
NKM-G125-250/243/A/BAQE/15 /4	MEC 160 L	3x400 V ~ Δ*	15	20	22	150	125
NKM-G125-250/256/A/BAQE/18.5/4	MEC 180 M	3x400 V ~ Δ*	18.5	25	35	150	125
NKM-G125-250/266/A/BAQE/22 /4	MEC 180 L	3x400 V ~ Δ*	22	30	41	150	125
NKM-G150-200/218/A/BAQE/11 /4	MEC 160 M	3x400 V ~ Δ*	11	15	22	150	125

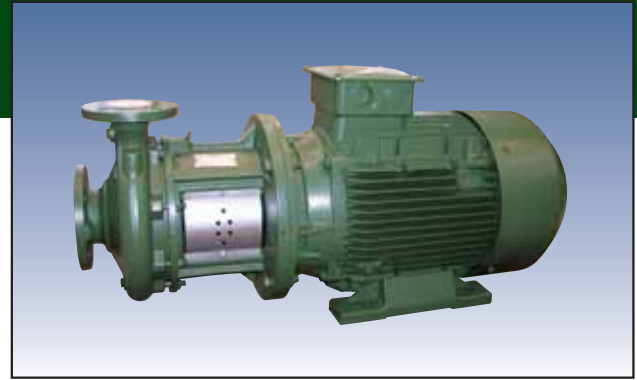
* Star (Δ) starting is possible

* Возможен запуск звезда (Δ)

NKP-G

STANDARDISED ENBLOC CENTRIFUGAL ELECTRIC PUMPS WITH COUPLING MADE TO DIN-EN 733

СТАНДАРТНЫЕ ЦЕНТРОБЕЖНЫЕ ЭЛЕКТРОНАСОСЫ МОНОБЛОК С СОЕДИНЕНИЕМ, ПО СТАНДАРТУ DIN-EN 733



CAST IRON IMPELLER / РАБОЧЕЕ КОЛЕСО ИЗ ЧУГУНА

MODEL / МОДЕЛЬ	PRICE / ЦЕНА €	CODE / КОД	VOLUME m³ ОБЪЕМ м³	WEIGHT Kg ВЕС кг
NKP-G 32-125.1/102/A/BAQE /0.75/2		1D1K11B31	0,1726	44,4
NKP-G 32-125.1/115/A/BAQE /1.1/2		1D1K11B41	0,1726	45,9
NKP-G 32-125.1/125/A/BAQE /1.5/2		1D1K11B51	0,1726	47,3
NKP-G 32-125.1/140/A/BAQE/2.2/2		1D1K11B61	0,1726	49,3
NKP-G 32-125/110/A/BAQE / 1.1 /2		1D1111B41	0,1726	35,8
NKP-G 32-125/120/A/BAQE / 1.5 /2		1D1111B51	0,1726	36,8
NKP-G 32-125/130/A/BAQE / 2.2 /2		1D1111B61	0,1726	43,3
NKP-G 32-125/142/A/BAQE / 3 /2		1D1111B72	0,1726	52,7
NKP-G 32-160.1 155/A/BAQE/2.2/2		1D1L11B61	0,1726	61
NKP-G 32-160.1 166/A/BAQE /3 /2		1D1L11B72	0,1726	69
NKP-G 32-160/151 /A/BAQE /3 /2		1D1211B72	0,1726	70
NKP-G 32-160/163 /A/BAQE /4 /2		1D1211B82	0,1726	80
NKP-G 32-160/177 /A/BAQE /5,5/2		1D1211B92	0,1901	104
NKP-G 32-200.1 188/A/BAQE /4 /2		1D1M11B82	0,1901	75
NKP-G 32-200.1 205/A/BAQE /5,5/2		1D1M11B92	0,1901	86
NKP-G 32-200/190/A/BAQE / 5.5 /2		1D1311B92	0,1901	87,7
NKP-G 32-200/210/A/BAQE / 7.5 /2		1D1311BA2	0,1901	91,1
NKP-G 40-125/107/A/BAQE / 1.5 /2		1D2111B51	0,1726	41,6
NKP-G 40-125/120/A/BAQE / 2.2 /2		1D2111B61	0,1726	57
NKP-G 40-125/130/A/BAQE / 3 /2		1D2111B72	0,1726	68
NKP-G 40-125/139/A/BAQE / 4 /2		1D2111B82	0,1726	81
NKP-G 40-160/158/A/BAQE / 5,5 /2		1D2211B92	0,1901	81,5
NKP-G 40-160/172/A/BAQE / 7,5 /2		1D2211BA2	0,1901	88,7
NKP-G 40-200/210/A/BAQE /11 /2		1D2311BB2	0,3563	122,1
NKP-G 40-250/230/A/BAQE /15 /2		1D2411BC2	0,3563	137
NKP-G 40-250/245/A/BAQE /18.5 /2		1D2411BD2	0,3563	176,3
NKP-G 40-250/260/A/BAQE/22 /2		1D2411BE2	0,3563	190
NKP-G 50-125/115/A/BAQE / 3 /2		1D3111B72	0,1726	71
NKP-G 50-125/125/A/BAQE / 4 /2		1D3111B82	0,1726	84
NKP-G 50-125/135/A/BAQE / 5,5 /2		1D3111B92	0,1901	83,4
NKP-G 50-125/144/A/BAQE / 7,5 /2		1D3111BA2	0,1901	86,4
NKP-G 50-160/153/A/BAQE / 7.5 /2		1D3211BA2	0,3563	88,2
NKP-G 50-160/169/A/BAQE /11 /2		1D3211BB2	0,3563	119
NKP-G 50-200/200/A/BAQE /15 /2		1D3311BC2	0,3563	133,5
NKP-G 50-200/210/A/BAQE /18,5 /2		1D3311BD2	0,3563	170,1
NKP-G 50-200/219/A/BAQE/22 /2		1D3311BE2	0,3563	184,4
NKP-G 50-250/230/A/BAQE/22 /2		1D3411BE2	0,3563	248
NKP-G 50-250/257/A/BAQE /30 /2		1D3411BF2	0,3563	240
NKP-G 65-125/120-110/A/BAQE /4/2		1D4111B82	0,3563	89
NKP-G 65-125/127/A/BAQE / 5,5 /2		1D4111B92	0,3563	115
NKP-G 65-125/137/A/BAQE / 7,5 /2		1D4111BA2	0,3563	90,7
NKP-G 65-160/157/A/BAQE /11 /2		1D4211BB2	0,3563	121,5
NKP-G 65-160/173/A/BAQE /15 /2		1D4211BC2	0,3563	128
NKP-G 65-200/190/A/BAQE /18,5 /2		1D4311BD2	0,3563	238
NKP-G 65-200/200/A/BAQE/22 /2		1D4311BE2	0,3563	188,1
NKP-G 65-200/219/A/BAQE /30 /2		1D4311BF2	0,4936	238
NKP-G 80-160/147-127/A/BAQE /11 /2		1D5211BB2	0,3563	136,8
NKP-G 80-160/153/A/BAQE /15 /2		1D5211BC2	0,3563	136
NKP-G 80-160/163/A/BAQE /18,5 /2		1D5211BD2	0,3563	172,4
NKP-G 80-160/169/A/BAQE/22 /2		1D5211BE2	0,4963	187
NKP-G 80-200/190/A/BAQE /30 /2		1D5311BF2	0,4936	255,2

BRONZE IMPELLER / РАБОЧЕЕ КОЛЕСО ИЗ БРОНЗЫ

PRICE / ЦЕНА €	CODE / КОД	VOLUME m³ ОБЪЕМ м³	WEIGHT Kg ВЕС кг
	1D1K21B31	0,1726	44,4
	1D1K21B41	0,1726	45,9
	1D1K21B51	0,1726	47,3
	1D1K21B61	0,1726	49,3
	1D1121B41	0,1726	35,8
	1D1121B51	0,1726	36,8
	1D1121B61	0,1726	43,3
	1D1121B72	0,1726	52,7
	1D1L21B61	0,1726	61
	1D1L21B72	0,1726	69
	1D1221B72	0,1726	70
	1D1221B82	0,1726	80
	1D1221B92	0,1901	104
	1D1M21B82	0,1901	75
	1D1M21B92	0,1901	86
	1D1321B92	0,1901	87,7
	1D1321BA2	0,1901	91,1
	1D2121B51	0,1726	41,6
	1D2121B61	0,1726	57
	1D2121B72	0,1726	68
	1D2121B82	0,1726	81
	1D2221B92	0,1901	81,5
	1D2221BA2	0,1901	88,7
	1D2321BB2	0,3563	122,1
	1D2421BC2	0,3563	137
	1D2421BD2	0,3563	176,3
	1D2421BE2	0,3563	190
	1D3121B72	0,1726	71
	1D3121B82	0,1726	84
	1D3121B92	0,1901	83,4
	1D3121BA2	0,1901	86,4
	1D3221BA2	0,3563	88,2
	1D3221BB2	0,3563	119
	1D3321BC2	0,3563	133,5
	1D3321BD2	0,3563	170,1
	1D3321BE2	0,3563	184,4
	1D3421BE2	0,3563	248
	1D3421BF2	0,3563	240
	1D4121B82	0,3563	89
	1D4121B92	0,3563	115
	1D4121BA2	0,3563	90,7
	1D4221BB2	0,3563	121,5
	1D4221BC2	0,3563	128
	1D4321BD2	0,3563	238
	1D4321BE2	0,3563	188,1
	1D4321BF2	0,4936	238
	1D5221BB2	0,3563	136,8
	1D5221BC2	0,3563	136
	1D5221BD2	0,3563	172,4
	1D5221BE2	0,4963	187
	1D5321BF2	0,4936	255,2

2
POLES-MOTOR
ДВИГАТЕЛЬ 2
ПОЛЮСА

The price does not include the counterflanges / В цену не включены контрфланцы

* Star starting is possible / Accessories on page 192

* Возможен запуск звезда / Принадлежности на стр. 192

DAB PUMPS reserve the right to make modifications without prior notice
DAB PUMPS оставляет за собой право вносить изменения без предварительного извещения



TECHNICAL DATA / ТЕХНИЧЕСКИЕ ХАРАКТЕРИСТИКИ

2-POLES (2900 1/min)
2 ПОЛЮСА (2900 1/min)

MODEL МОДЕЛЬ	ELECTRICAL DATA / ЭЛЕКТРИЧЕСКИЕ ХАРАКТЕРИСТИКИ						
	MOTOR SIZE ВЕЛИЧИНА ДВИГАТЕЛЯ	VOLTAGE 50 Hz НАПРЯЖЕНИЕ 50 Гц	P2 NOMINAL P2 НОМИНАЛ		In A	Ø	
			kW	HP		DNA	DNM
NKP-G 32-125.1/102/A/BAQE /0,75/2	MEC 80	3x230-400 V ~	0,75	1	3.2 - 1.9	50	32
NKP-G 32-125.1/115/A/BAQE /1,1/2	MEC 80	3x230-400 V ~	1,1	1.5	4.5 - 2.6	50	32
NKP-G 32-125.1/125/A/BAQE /1,5/2	MEC 90 S	3x230-400 V ~	1,5	2	5.9 - 3.4	50	32
NKP-G 32-125.1/140/A/BAQE/2,2/2	MEC 90 L	3x230-400 V ~	2,2	3	8.5 - 4.9	50	32
NKP-G 32-125.1/110/A/BAQE /1,1 /2	MEC 80	3x230-400 V ~	1,1	1.5	4.5 - 2.6	50	32
NKP-G 32-125.1/120/A/BAQE /1,5 /2	MEC 90 S	3x230-400 V ~	1,5	2	5.9 - 3.4	50	32
NKP-G 32-125.1/130/A/BAQE /2,2 /2	MEC 90 L	3x230-400 V ~	2,2	3	8.5 - 4.9	50	32
NKP-G 32-125.1/142/A/BAQE /3 /2	MEC 100 L	3x400 V ~ Δ*	3,0	4	6.4	50	32
NKP-G 32-160.1 155/A/BAQE/2,2/2	MEC 90 L	3x230-400 V ~	2,2	3	5.5 - 4.9	50	32
NKP-G 32-160.1 166/A/BAQE /3 /2	MEC 100 L	3x400 V ~ Δ*	3,0	4	6.4	50	32
NKP-G 32-160/151 /A/BAQE/3 /2	MEC 100 L	3x400 V ~ Δ*	3,0	4	6.4	50	32
NKP-G 32-160/163 /A/BAQE/4 /2	MEC 112 M	3x400 V ~ Δ*	4,0	5.5	8.5	50	32
NKP-G 32-160/177 /A/BAQE/5,5/2	MEC 132 S	3x400 V ~ Δ*	5,5	7.5	10.6	50	32
NKP-G 32-200.1 188/A/BAQE /4 /2	MEC 112 M	3x400 V ~ Δ*	4,0	5.5	8.5	50	32
NKP-G 32-200.1 205/A/BAQE /5,5/2	MEC 132 S	3x400 V ~ Δ*	5,5	7.5	10.6	50	32
NKP-G 32-200/190/A/BAQE /5,5 /2	MEC 132 S	3x400 V ~ Δ*	5,5	7.5	10.6	50	32
NKP-G 32-200/210/A/BAQE /7,5 /2	MEC 132 S	3x400 V ~ Δ*	7,5	10	14.1	50	32
NKP-G 40-125/107/A/BAQE /1,5 /2	MEC 90 S	3x230-400 V ~	1,5	2	5.9 - 3.4	65	40
NKP-G 40-125/120/A/BAQE /2,2 /2	MEC 90 L	3x230-400 V ~	2,2	3	8.5 - 4.9	65	40
NKP-G 40-125/130/A/BAQE /3 /2	MEC 100 L	3x400 V ~ Δ*	3,0	4	6.4	65	40
NKP-G 40-125/139/A/BAQE /4 /2	MEC 112	3x400 V ~ Δ*	4,0	5.5	8.5	65	40
NKP-G 40-160/158/A/BAQE /5,5/2	MEC 132 S	3x400 V ~ Δ*	5,5	7.5	10.6	65	40
NKP-G 40-160/172/A/BAQE /7,5/2	MEC 132 S	3x400 V ~ Δ*	7,5	10	14.1	65	40
NKP-G 40-200/210/A/BAQE /11 /2	MEC 160 M	3x400 V ~ Δ*	11,0	15	20.4	65	40
NKP-G 40-250/230/A/BAQE /15 /2	MEC 160 M	3x400 V ~ Δ*	15,0	20	27.5	65	40
NKP-G 40-250/245/A/BAQE /18,5 /2	MEC 160 L	3x400 V ~ Δ*	18,5	25	33.5	65	40
NKP-G 40-250/260/A/BAQE/22 /2	MEC 180 M	3x400 V ~ Δ*	22,0	30	39.5	65	40
NKP-G 50-125/115/A/BAQE /3 /2	MEC 100 L	3x400 V ~ Δ*	3,0	4	6.4	65	50
NKP-G 50-125/125/A/BAQE /4 /2	MEC 112	3x400 V ~ Δ*	4,0	5.5	8.5	65	50
NKP-G 50-125/135/A/BAQE /5,5 /2	MEC 132 S	3x400 V ~ Δ*	5,5	7.5	10.6	65	50
NKP-G 50-125/144/A/BAQE /7,5 /2	MEC 132 S	3x400 V ~ Δ*	7,5	10	14.1	65	50
NKP-G 50-160/153/A/BAQE /7,5 /2	MEC 132 S	3x400 V ~ Δ*	7,5	10	14.1	65	50
NKP-G 50-160/169/A/BAQE /11 /2	MEC 160 M	3x400 V ~ Δ*	11,0	15	20.4	65	50
NKP-G 50-200/200/A/BAQE /15 /2	MEC 160 M	3x400 V ~ Δ*	15,0	20	27.5	65	50
NKP-G 50-200/210/A/BAQE /18,5 /2	MEC 160 L	3x400 V ~ Δ*	18,5	25	33.5	65	50
NKP-G 50-200/219/A/BAQE/22 /2	MEC 180 M	3x400 V ~ Δ*	22,0	30	39.5	65	50
NKP-G 50-250/230/A/BAQE/22 /2	MEC 180 M	3x400 V ~ Δ*	22,0	30	39.5	65	50
NKP-G 50-250/257/A/BAQE /30 /2	MEC 200 L	3x400 V ~ Δ*	30,0	40	52.5	65	50
NKP-G 65-125/120-110/A/BAQE /4/2	MEC 112	3x400 V ~ Δ*	4,0	5.5	8.5	80	65
NKP-G 65-125/127/A/BAQE /5,5 /2	MEC 132 S	3x400 V ~ Δ*	5,5	7.5	10.6	80	65
NKP-G 65-125/137/A/BAQE /7,5 /2	MEC 132 S	3x400 V ~ Δ*	7,5	10	14.1	80	65
NKP-G 65-160/157/A/BAQE /11 /2	MEC 160 M	3x400 V ~ Δ*	11,0	15	20.4	80	65
NKP-G 65-160/173/A/BAQE /15 /2	MEC 160 M	3x400 V ~ Δ*	15,0	20	27.5	80	65
NKP-G 65-200/190/A/BAQE /18,5 /2	MEC 160 L	3x400 V ~ Δ*	18,5	25	33.5	80	65
NKP-G 65-200/200/A/BAQE/22 /2	MEC 180 M	3x400 V ~ Δ*	22,0	30	39.5	80	65
NKP-G 65-200/219/A/BAQE /30 /2	MEC 200 L	3x400 V ~ Δ*	30,0	40	52.5	80	65
NKP-G 80-160/147-127/A/BAQE /11 /2	MEC 160 M	3x400 V ~ Δ*	11,0	15	20.4	100	80
NKP-G 80-160/153/A/BAQE /15 /2	MEC 160 M	3x400 V ~ Δ*	15,0	20	27.5	100	80
NKP-G 80-160/163/A/BAQE /18,5 /2	MEC 160 L	3x400 V ~ Δ*	18,5	25	33.5	100	80
NKP-G 80-160/169/A/BAQE/22 /2	MEC 180 M	3x400 V ~ Δ*	22,0	30	39.5	100	80
NKP-G 80-200/190/A/BAQE /30 /2	MEC 200 L	3x400 V ~ Δ*	30,0	40	52.5	100	80

* Star (Δ) starting is possible

* Возможен запуск звезда (Δ)

NKM-GE/NKP-GE

ELECTRONIC ENBLOC PUMPS WITH DIN-EN 733 COUPLING, CONSTANT DIFFERENTIAL PRESSURE, COMPLETE WITH DIFFERENTIAL PRESSURE SENSOR

ЭЛЕКТРОННЫЕ НАСОСЫ МОНОБЛОК С СОЕДИНЕНИЕМ, ПО СТАНДАРТУ DIN-EN 733, С ПОСТОЯННЫМ ДИФФЕРЕНЦИАЛЬНЫМ ДАВЛЕНИЕМ, С ДИФФЕРЕНЦИАЛЬНЫМ ДАТЧИКОМ ДАВЛЕНИЯ



Enbloc centrifugal electric pumps with coupling designed for a wide range of applications such as:

- Water supply.
- Circulation of hot water for central heating.
- Circulation of cold water for air conditioning and refrigerating.
- Transfer of liquids in agriculture, horticulture and industries.
- Implementation of pumping systems.
- Particularly versatile, it offers performance features that automatically adapt to various system requirements whilst keeping differential pressures constant.

Single-stage, cast iron spiral body made to DIN-EN 733 (formerly DIN 24255), cast iron support, flanges in accordance with DIN 2533 and DIN 2532 for DN 200. Cast iron impeller, encased and dynamically balanced with compensation of the axial thrust by means of balancing holes, operating (on request) with interchangeable consumable rings. AISI 304 stainless steel pump shaft. Seal: standardised mechanical seal made to DIN 24960 in carbon / carborundum with O' rings in EPDM.

Closed, asynchronous motor with external ventilation, construction type B3/B5, 2 poles for NKP-GE and 4 poles for NKM-GE. Rotor mounted on oversized ball bearings to ensure silent running and long life. We recommend using overload protection for the motor, in accordance with current norms. In the case of liquids denser than water, the motors must be proportionally more powerful.

Центробежные насосы моноблок с соединением спроектированы для широкого спектра применений, таких, как:

- Циркуляция горячей воды отопления.
- Циркуляция холодной воды кондиционирования.
- Циркуляция холодной воды охлаждения.

Очень гибкий в применении насос гарантирует эксплуатационные характеристики, способные автоматически адаптироваться к различным требованиям установки, сохраняя постоянное дифференциальное давление.

Винтовой одноступенчатый корпус насоса из чугуна соответствует стандарту DIN-EN 733 (бывший ранее DIN 24255), опоры из чугуна, фланцы соответствуют стандарту DIN 2533 и DIN 2532 для DN 200. Рабочее колесо из чугуна, закрытое и динамически сбалансированное с компенсацией осевого толчка при помощи уравновешивающих отверстий, работающее (по заказу) на заменяемых кольцевых прокладках. Вал насоса сделан из нержавеющей стали AISI 304.

Уплотнительное кольцо: стандартная механическая прокладка по стандарту DIN 24960 из графита/карбида кремния, с кольцевыми уплотнениями из EPDM.

Асинхронный двигатель закрытого типа с внешней вентиляцией, конструктивная форма B3/B5, двухполюсный для моделей NKP-GE, четырехполюсный – для моделей NKM-GE. Ротор монтируется на шарикоподшипники большего размера, гарантирующие бесшумную работу и долгий срок службы. Для защиты трехфазного двигателя рекомендуется использовать дистанционную защиту двигателя, в соответствии с действующими законами и нормами. При наличии

Built to IEC 2-3 standards

Protection level: IP 55

Insulation level: F

Standard voltage: single-phase 208/240 V - 50-60 Hz
three-phase 380/480 V - 50-60 Hz

Speed of rotation: 1450 - 2900 1/min.

Operating range: from 1 to 210 m³/h with head up to 60 metres.

Pumped liquid: clean, without solid or abrasive substances, not viscous, not aggressive, not crystallised and chemically neutral, close to water characteristics.

Liquid temperature range: from -10°C to +140°C.

Maximum ambient temperature: +40°C.

Maximum working pressure: 16 bar - 1600 kPa (for DN 200 max. 10 bar).

Flanging: PN 16 DIN 2533

Installation: normally horizontal or vertical provided the motor is always above the pump.

Special versions on request: pumps for liquids other than water.

Other voltages and/or frequencies.

жидкостей, превышающих по плотности воду, мощности двигателей должны пропорционально увеличиваться.

Конструкция по стандарту: CEI 2-3

Степень защиты: IP 55

Класс изоляции: F

Серийное напряжение: однофазный 208/240 В / 50-60 Гц
трехфазный 380/480 В - 50-60 Гц

Скорость вращения: 1450 - 2900 1/мин.

Рабочий диапазон: от 1 до 210 м³/ч, с напором до 60 метров.

Перекачиваемая жидкость: чистая, не содержащая твердых или абразивных частиц, невязкая, не агрессивная, не кристаллизованная, химически нейтральная, близкая по характеристикам к воде.

Диапазон температуры жидкости: от -10°C до +140°C.

Максимальная температура окружающей среды: +40°C.

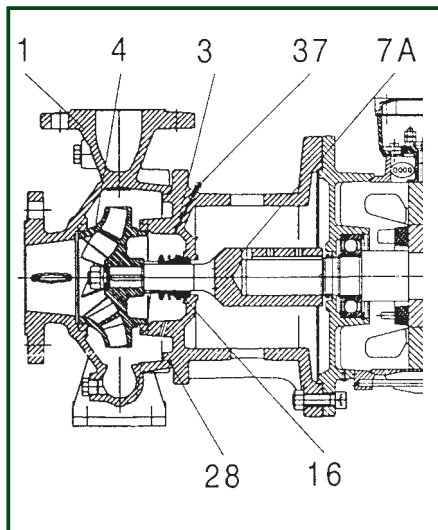
Максимальное рабочее давление: 16 бар - 1600 кПа (для DN 200 макс. 10 бар).

Фланцы: PN 16 DIN 2533

Монтаж: Обычно в горизонтальном или вертикальном положении, если двигатель находится всегда над насосом.

Специальное исполнение по заказу: Насосы для жидкостей, отличных от воды.

Другая частота и/или напряжения.



N.	PARTS	ДЕТАЛИ	MATERIALS (STANDARD VERSION)	МАТЕРИАЛЫ (СЕРИЙНЫЙ ВАРИАНТ)
1	PUMP BODY	КОРПУС НАСОСА	250 UNI ISO 185 CAST IRON	ЧУГУН 250 UNI ISO 185
3	SUPPORT	ОПОРА	250 UNI ISO 185 CAST IRON	ЧУГУН 250 UNI ISO 185
4	IMPELLER	РАБОЧЕЕ КОЛЕСО	250 UNI ISO 185 CAST IRON	ЧУГУН 250 UNI ISO 185
7A	PUMP SHAFT	ВАЛ НАСОСА	AISI 304 - UNI 6900/71 STAINLESS STEEL	НЕРЖ. СТАЛЬ AISI 304 - UNI 6900/71
16	MECHANICAL SEAL	МЕХАНИЧЕСКАЯ ПРОКЛАДКА	CARBON/CARBORUNDUM - EPDM	ГРАФИТ/КАРБИД КРЕМНИЯ - EPDM
28	ORING	КОЛЬЦЕВАЯ ПРОКЛАДКА	VITON	ВИТОН
37	BLEED COCK	ВАНТУЗ	AISI 304 - UNI 6900/71 STAINLESS STEEL	НЕРЖ. СТАЛЬ AISI 304 - UNI 6900/71

N.	PARTS	ДЕТАЛИ	MATERIALS (STANDARD VERSION)	МАТЕРИАЛЫ (СЕРИЙНЫЙ ВАРИАНТ)
4	IMPELLER	РАБОЧЕЕ КОЛЕСО	BRONZE GCuSn5Zn5Pb5 UNI 7013/8a-72	БРОНЗА GCUSN5ZN5PB5 UNI 7013/8a-72
16	MECHANICAL SEAL	МЕХАНИЧЕСКАЯ ПРОКЛАДКА	CARBON/CARBORUNDUM - PTFE CARBORUNDUM/CARBORUNDUM - VITON CARBON/ CARBORUNDUM - VITON	ГРАФИТ/КАРБИД КРЕМНИЯ - PTFE КАРБИД КРЕМНИЯ / КАРБИД КРЕМНИЯ - ВИТОН ГРАФИТ/КАРБИД КРЕМНИЯ - ВИТОН

NKM-GE/NKP-GE

ELECTRONIC ENBLOC PUMPS WITH DIN-EN 733 COUPLING, CONSTANT DIFFERENTIAL PRESSURE, COMPLETE WITH DIFFERENTIAL PRESSURE SENSOR

ЭЛЕКТРОННЫЕ НАСОСЫ МОНОБЛОК С СОЕДИНЕНИЕМ, ПО СТАНДАРТУ DIN-EN 733, С ПОСТОЯННЫМ ДИФФЕРЕНЦИАЛЬНЫМ ДАВЛЕНИЕМ, С ДИФФЕРЕНЦИАЛЬНЫМ ДАТЧИКОМ ДАВЛЕНИЯ



**4 POLES-MOTOR
ДВИГАТЕЛЬ 4 ПОЛЮСА**

**CAST IRON
IMPELLER**

**2 POLES-MOTOR
ДВИГАТЕЛЬ 2 ПОЛЮСА**

**РАБОЧЕЕ КОЛЕСО
ИЗ ЧУГУНА**

MODEL / МОДЕЛЬ	PRICE ЦЕНА €	CODE КОД	VOLUME m ³ ОБЪЕМ м ³	WEIGHT Kg ВЕС кг
NKM-GE 32-125.1/140/A/BAQE / 0.25/4		1D1K11BX6	0,11	19
NKM-GE 32-125/142/A/BAQE / 0.37/4		1D1111B16	0,11	30,2
NKM-GE 32-160.1 169/A/BAQE / 0.37/4		1D1L11B16	0,11	43
NKM-GE 32-160/169/A/BAQE / 0,55/4		1D1211B26	0,11	44,5
NKM-GE 32-200.1 200/A/BAQE / 0,55/4		1D1M11B26	0,11	46
NKM-GE 32-200/200/A/BAQE / 0,75/4		1D1311B36	0,11	48,5
NKM-GE 32-200/219/A/BAQE / 1,1 /4		1D1311B46	0,11	51
NKM-GE 40-125/115/A/BAQE / 0.25/4		1D2111BX6	0,11	33
NKM-GE 40-125/130/A/BAQE / 0.37/4		1D2111B16	0,11	35,3
NKM-GE 40-125/142/A/BAQE / 0.55/4		1D2111B26	0,11	48
NKM-GE 40-160/153/A/BAQE / 0.55/4		1D2211B26	0,11	49
NKM-GE 40-160/166/A/BAQE / 0.75/4		1D2211B36	0,11	50
NKM-GE 40-200/200/A/BAQE / 1,1 /4		1D2311B46	0,11	53
NKM-GE 40-200/219/A/BAQE / 1,5 /4		1D2311B56	0,11	55,7
NKM-GE 40-250/245/A/BAQE / 2,2 /4		1D2411B66	0,152	78
NKM-GE 40-250/260/A/BAQE / 3 /4		1D2411B76	0,152	74,3
NKM-GE 50-125/130/A/BAQE / 0.55/4		1D3111B26	0,11	42
NKM-GE 50-125/141/A/BAQE / 0.75/4		1D3111B36	0,11	43,6
NKM-GE 50-160/161/A/BAQE / 1.1 /4		1D3211B46	0,11	52,3
NKM-GE 50-160/177/A/BAQE / 1,5 /4		1D3211B56	0,11	49
NKM-GE 50-200/210/A/BAQE / 2,2 /4		1D3311B66	0,152	74
NKM-GE 50-200/219/A/BAQE / 3 /4		1D3311B76	0,152	66,8
NKM-GE 50-250/263/A/BAQE / 4 /4		1D3411B86	0,152	90
NKM-GE 65-125/130/A/BAQE / 0.75/4		1D4111B36	0,11	57
NKM-GE 65-125/144/A/BAQE / 1.1 /4		1D4111B46	0,11	63
NKM-GE 65-160/153/A/BAQE / 1,1 /4		1D4211B46	0,15	56,5
NKM-GE 65-160/165/A/BAQE / 1,5 /4		1D4211B56	0,15	53
NKM-GE 65-160/177/A/BAQE / 2,2 /4		1D4211B66	0,15	61,3
NKM-GE 65-200/210/A/BAQE / 3 /4		1D4311B76	0,15	74,9
NKM-GE 65-200/219/A/BAQE / 4 /4		1D4311B86	0,15	80,1
NKM-GE 65-250/263/A/BAQE / 5,5 /4		1D4411B96	0,35	146
NKM-GE 65-315/279/A/BAQE / 7,5 /4		1D4511BA6	0,35	161,6

* Star starting is possible / Accessories on page 192

* Возможен запуск звезда Принадлежности на стр. 192

Products available while stocks last: contact our sales organization for details of replacement models. / Продукция доступна до завершения запасов: просим обращаться в нашу торговую сеть для получения заменяющих моделей.

DAB PUMPS reserve the right to make modifications without prior notice
DAB PUMPS оставляет за собой право вносить изменения без предварительного извещения



MODEL / МОДЕЛЬ	PRICE ЦЕНА €	CODE КОД	VOLUME m ³ ОБЪЕМ м ³	WEIGHT Kg ВЕС кг
NKM-GE 80-160/153-136/A/BAQE / 1.5/4		1D5211B56	0,15	194
NKM-GE 80-160/163/A/BAQE / 2,2 /4		1D5211B66	0,15	62,2
NKM-GE 80-160/177/A/BAQE / 3 /4		1D5211B76	0,15	71
NKM-GE 80-200/200/A/BAQE / 4 /4		1D5311B86	0,35	74
NKM-GE 80-200/222/A/BAQE / 5,5 /4		1D5311B96	0,35	144,4
NKM-GE 80-250/240/A/BAQE / 7,5 /4		1D5411BA6	0,35	120
NKM-GE100-200/200/A/BAQE / 5.5 /4		1D6311B96	0,35	170
NKM-GE100-200/214/A/BAQE / 7.5 /4		1D6311BA6	0,35	255
NKP-GE 32-125.1/102/A/BAQE/0.75/2		1D1K11B35	0,11	19
NKP-GE 32-125.1/115/A/BAQE/1.1/2		1D1K11B45	0,11	30,2
NKP-GE 32-125.1/125/A/BAQE/1.5/2		1D1K11B55	0,11	43
NKP-GE 32-125.1/140/A/BAQE/2.2/2		1D1K11B65	0,11	44,5
NKP-GE 32-125/110/A/BAQE/ 1.1 /2		1D1111B45	0,11	46
NKP-GE 32-125/120/A/BAQE/ 1.5 /2		1D1111B55	0,11	48,5
NKP-GE 32-125/130/A/BAQE/ 2.2 /2		1D1111B65	0,11	51
NKP-GE 32-125/142/A/BAQE/ 3 /2		1D1111B75	0,15	33
NKP-GE 32-160.1 155/A/BAQE/2.2/2		1D1L11B65	0,11	35,3
NKP-GE 32-160.1 166/A/BAQE/3 /2		1D1L11B75	0,15	48
NKP-GE 32-160/151/A/BAQE/3 /2		1D1211B75	0,15	49
NKP-GE 32-160/163/A/BAQE/4 /2		1D1211B85	0,15	50
NKP-GE 32-160/177/A/BAQE/5,5/2		1D1211B95	0,18	53
NKP-GE 32-200.1 188/A/BAQE/4 /2		1D1M11B85	0,15	55,7
NKP-GE 32-200.1 205/A/BAQE/5,5/2		1D1M11B95	0,18	78
NKP-GE 32-200/190/A/BAQE/ 5.5 /2		1D1311B95	0,18	74,3
NKP-GE 32-200/210/A/BAQE/ 7.5 /2		1D1311BA5	0,18	42
NKP-GE 40-125/107/A/BAQE/ 1.5 /2		1D2111B55	0,11	43,6
NKP-GE 40-125/120/A/BAQE/ 2.2 /2		1D2111B65	0,11	52,3
NKP-GE 40-125/130/A/BAQE/ 3 /2		1D2111B75	0,15	49
NKP-GE 40-125/139/A/BAQE/ 4 /2		1D2111B85	0,15	74
NKP-GE 40-160/158/A/BAQE/ 5,5 /2		1D2211B95	0,18	66,8
NKP-GE 40-160/172/A/BAQE/ 7,5 /2		1D2211BA5	0,18	90
NKP-GE 50-125/115/A/BAQE/ 3 /2		1D3111B75	0,15	57
NKP-GE 50-125/125/A/BAQE/ 4 /2		1D3111B85	0,15	63
NKP-GE 50-125/135/A/BAQE/ 5,5 /2		1D3111B95	0,18	46,5
NKP-GE 50-125/144/A/BAQE/ 7,5 /2		1D3111BA5	0,18	53
NKP-GE 50-160/153/A/BAQE/ 7.5 /2		1D3211BA5	0,35	61,3
NKP-GE 65-125/120-110/A/BAQE/4/2		1D4111B85	0,15	74,9
NKP-GE 65-125/127/A/BAQE/ 5,5 /2		1D4111B95	0,18	80,1
NKP-GE 65-125/137/A/BAQE/ 7,5 /2		1D4111BA5	0,18	146

The price does not include the counterflanges / В цену не включены контрфланцы

4 POLES-MOTOR
ДВИГАТЕЛЬ 4 ПОЛЮСА

BRONZE
IMPELLER

2 POLES-MOTOR
ДВИГАТЕЛЬ 2 ПОЛЮСА

РАБОЧЕЕ КОЛЕСО
ИЗ БРОНЗЫ

MODEL / МОДЕЛЬ	PRICE ЦЕНА €	CODE КОД	VOLUME m ³ ОБЪЕМ м ³	WEIGHT Kg ВЕС кг
NKM-GE 32-125.1/140/B/BAQE / 0.25/4		1D1K21BX6	0,11	19
NKM-GE 32-125/142/B/BAQE / 0.37/4		1D1121B16	0,11	30,2
NKM-GE 32-160.1 169/B/BAQE / 0.37/4		1D1L21B16	0,11	43
NKM-GE 32-160/169/B/BAQE / 0,55/4		1D1221B26	0,11	44,5
NKM-GE 32-200.1 200/B/BAQE / 0,55/4		1D1M21B26	0,11	46
NKM-GE 32-200/200/B/BAQE / 0,75/4		1D1321B36	0,11	48,5
NKM-GE 32-200/219/B/BAQE / 1,1 /4		1D1321B46	0,11	51
NKM-GE 40-125/115/B/BAQE / 0.25/4		1D2121BX6	0,11	33
NKM-GE 40-125/130/B/BAQE / 0.37/4		1D2121B16	0,11	35,3
NKM-GE 40-125/142/B/BAQE / 0.55/4		1D2121B26	0,11	48
NKM-GE 40-160/153/B/BAQE / 0.55/4		1D2221B26	0,11	49
NKM-GE 40-160/166/B/BAQE / 0.75/4		1D2221B36	0,11	50
NKM-GE 40-200/200/B/BAQE / 1,1 /4		1D2321B46	0,11	53
NKM-GE 40-200/219/B/BAQE / 1,5 /4		1D2321B56	0,11	55,7
NKM-GE 40-250/245/B/BAQE / 2,2 /4		1D2421B66	0,152	78
NKM-GE 40-250/260/B/BAQE / 3 /4		1D2421B76	0,152	74,3
NKM-GE 50-125/130/B/BAQE / 0.55/4		1D3121B26	0,11	42
NKM-GE 50-125/141/B/BAQE / 0.75/4		1D3121B36	0,11	43,6
NKM-GE 50-160/161/B/BAQE / 1.1 /4		1D3221B46	0,11	52,3
NKM-GE 50-160/177/B/BAQE / 1,5 /4		1D3221B56	0,11	49
NKM-GE 50-200/210/B/BAQE / 2,2 /4		1D3321B66	0,152	74
NKM-GE 50-200/219/B/BAQE / 3 /4		1D3321B76	0,152	66,8
NKM-GE 50-250/263/B/BAQE / 4 /4		1D3421B86	0,152	90
NKM-GE 65-125/130/B/BAQE / 0.75/4		1D4121B36	0,11	57
NKM-GE 65-125/144/B/BAQE / 1.1 /4		1D4121B46	0,11	63
NKM-GE 65-160/153/B/BAQE / 1,1 /4		1D4221B46	0,15	56,5
NKM-GE 65-160/165/B/BAQE / 1,5 /4		1D4221B56	0,15	53
NKM-GE 65-160/177/B/BAQE / 2,2 /4		1D4221B66	0,15	61,3
NKM-GE 65-200/210/B/BAQE / 3 /4		1D4321B76	0,15	74,9
NKM-GE 65-200/219/B/BAQE / 4 /4		1D4321B86	0,15	80,1
NKM-GE 65-250/263/B/BAQE / 5,5 /4		1D4421B96	0,35	146
NKM-GE 65-315/279/B/BAQE / 7,5 /4		1D4521BA6	0,25	161,6

* Star starting is possible / Accessories on page 192

* Возможен запуск звезда / Принадлежности на стр. 192

MODEL / МОДЕЛЬ	PRICE ЦЕНА €	CODE КОД	VOLUME m ³ ОБЪЕМ м ³	WEIGHT Kg ВЕС кг
NKM-GE 80-160/153-136/B/BAQE / 1.5/4		1D5221B56	0,15	194
NKM-GE 80-160/163/B/BAQE / 2,2 /4		1D5221B66	0,15	62,2
NKM-GE 80-160/177/B/BAQE / 3 /4		1D5221B76	0,15	71
NKM-GE 80-200/200/B/BAQE / 4 /4		1D5321B86	0,35	74
NKM-GE 80-200/222/B/BAQE / 5,5 /4		1D5321B96	0,35	144,4
NKM-GE 80-250/240/B/BAQE / 7,5 /4		1D5421BA6	0,35	120
NKM-GE100-200/200/B/BAQE / 5.5 /4		1D6321B96	0,35	170
NKM-GE100-200/214/B/BAQE / 7.5 /4		1D6321BA6	0,35	255
NKP-GE 32-125.1/102/B/BAQE/0.75/2		1D1K21B35	0,11	19
NKP-GE 32-125.1/115/B/BAQE/1.1/2		1D1K21B45	0,11	30,2
NKP-GE 32-125.1/125/B/BAQE/1.5/2		1D1K21B55	0,11	43
NKP-GE 32-125.1/140/B/BAQE/2.2/2		1D1K21B65	0,11	44,5
NKP-GE 32-125/110/B/BAQE/ 1.1 /2		1D1121B45	0,11	46
NKP-GE 32-125/120/B/BAQE/ 1.5 /2		1D1121B55	0,11	48,5
NKP-GE 32-125/130/B/BAQE/ 2.2 /2		1D1121B65	0,11	51
NKP-GE 32-125/142/B/BAQE/ 3 /2		1D1121B75	0,15	33
NKP-GE 32-160.1 155/B/BAQE/2.2/2		1D1L21B65	0,11	35,3
NKP-GE 32-160.1 166/B/BAQE/3 /2		1D1L21B75	0,15	48
NKP-GE 32-160/151/B/BAQE/3 /2		1D1221B75	0,15	49
NKP-GE 32-160/163/B/BAQE/4 /2		1D1221B85	0,15	50
NKP-GE 32-160/177/B/BAQE/5,5/2		1D1221B95	0,18	53
NKP-GE 32-200.1 188/B/BAQE/4 /2		1D1M21B85	0,15	55,7
NKP-GE 32-200.1 205/B/BAQE/5,5/2		1D1M21B95	0,18	78
NKP-GE 32-200/190/B/BAQE/ 5.5 /2		1D1321B95	0,18	74,3
NKP-GE 32-200/210/B/BAQE/ 7.5 /2		1D1321BA5	0,18	42
NKP-GE 40-125/107/B/BAQE/ 1.5 /2		1D2121B55	0,11	43,6
NKP-GE 40-125/120/B/BAQE/ 2.2 /2		1D2121B65	0,11	52,3
NKP-GE 40-125/130/B/BAQE/ 3 /2		1D2121B75	0,15	49
NKP-GE 40-125/139/B/BAQE/ 4 /2		1D2121B85	0,15	74
NKP-GE 40-160/158/B/BAQE/ 5,5 /2		1D2221B95	0,18	66,8
NKP-GE 40-160/172/B/BAQE/ 7,5 /2		1D2221BA5	0,18	90
NKP-GE 50-125/115/B/BAQE/ 3 /2		1D3121B75	0,15	57
NKP-GE 50-125/125/B/BAQE/ 4 /2		1D3121B85	0,15	63
NKP-GE 50-125/135/B/BAQE/ 5,5 /2		1D3121B95	0,18	56,5
NKP-GE 50-125/144/B/BAQE/ 7,5 /2		1D3121BA5	0,18	53
NKP-GE 50-160/153/B/BAQE/ 7.5 /2		1D3221BA5	0,35	61,3
NKP-GE 65-125/120-110/B/BAQE/4/2		1D4121B85	0,15	74,9
NKP-GE 65-125/127/B/BAQE/ 5,5 /2		1D4121B95	0,18	80,1
NKP-GE 65-125/137/B/BAQE/ 7,5 /2		1D4121BA5	0,18	146

The price does not include the counterflanges / В цену не включены контрфланцы

Prodotti disponibili fino ad esaurimento scorte: contattare la nostra rete di vendita per modelli sostitutivi. / Продукция доступна до завершения запасов: просим обращаться в нашу торговую сеть для получения заменяющих моделей.

DAB PUMPS reserve the right to make modifications without prior notice
DAB PUMPS оставляет за собой право вносить изменения без предварительного извещения



SPECIAL VERSIONS СПЕЦИАЛЬНЫЕ МОДЕЛИ

NKM-G NKP-G STANDARDISED CENTRIFUGAL PUMPS IN ACCORDANCE WITH DIN-EN 733 NKM-G NKP-G СТАНДАРТНЫЕ ЦЕНТРОБЕЖНЫЕ ЭЛЕКТРОНАСОСЫ С СОЕДИНЕНИЕМ, ПО СТАНДАРТУ DIN-EN 733

MODEL / МОДЕЛЬ	PRICE * / ЦЕНА *	PRICE * / ЦЕНА *	PRICE * / ЦЕНА *
	€ Seal BQQE ⁽¹⁾ / Прокладка BQQE ⁽¹⁾	€ Seal BQQV ⁽²⁾ / Прокладка BQQV ⁽²⁾	€ Seal BAQV ⁽³⁾ / Прокладка BAQV ⁽³⁾
NKM-G/NKP-G 32/125.1			
NKM-G/NKP-G 32/160.1			
NKM-G/NKP-G 32/200.1			
NKM-G/NKP-G 32/125			
NKM-G/NKP-G 32/160			
NKM-G/NKP-G 32/200			
NKM-G/NKP-G 40/125			
NKM-G/NKP-G 40/160			
NKM-G/NKP-G 40/200			
NKM-G/NKP-G 40/250			
NKM-G/NKP-G 50/125			
NKM-G/NKP-G 50/160			
NKM-G/NKP-G 50/200			
NKM-G/NKP-G 50/250			
NKM-G/NKP-G 65/125			
NKM-G/NKP-G 65/160			
NKM-G/NKP-G 65/200			
NKM-G 65/250			
NKM-G 65/315			
NKM-G/NKP-G 80/160			
NKM-G/NKP-G 80/200			
NKM-G 80/250			
NKM-G 80/315			
NKM-G 100/200			
NKM-G 100/250			
NKM-G 100/315			
NKM-G 125/250			
NKM-G 150/200			

VERSIONS WITH SPECIAL MECHANICAL SEALS СПЕЦИАЛЬНЫЕ МЕХАНИЧЕСКИЕ ПРОКЛАДКИ

⁽¹⁾ Ref. Technical catalogue mechanical seal "E version" = Silicon carbide/silicon carbide/EPDM

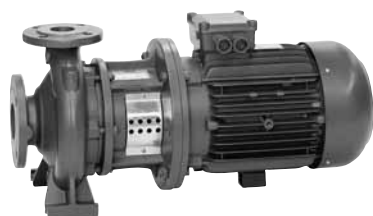
⁽²⁾ Ref. Technical catalogue mechanical seal "C version" = with rubber bellows: silicon carbide/silicon carbide/Viton

⁽³⁾ Ref. Technical catalogue mechanical seal "D version" = with rubber bellows: carbon/silicon carbide/Viton

⁽¹⁾ См. технический каталог Прокладка "Модель BQQE" = прокладка с гармошкой из резины: Карбид кремния / Карбид кремния / EPDM

⁽²⁾ См. технический каталог Прокладка "Модель BQQV" = с с гармошкой из резины: Карбид кремния / Карбид кремния / Витон

⁽³⁾ См. технический каталог Прокладка "Модель BAQV" = с с гармошкой из резины: Графит / Карбид кремния / Витон



* The price is to be added to the price list of electric pumps in the standard version.
* Цену следует добавить к стоимости стандартных электронасосов.

TECHNICAL DATA / ТЕХНИЧЕСКИЕ ХАРАКТЕРИСТИКИ

4-POLES (1450 1/min)
4 ПОЛЮСА (1450 1/min)

MODEL МОДЕЛЬ	ELECTRICAL DATA / ЭЛЕКТРИЧЕСКИЕ ХАРАКТЕРИСТИКИ						
	MOTOR SIZE ВЕЛИЧИНА ДВИГАТЕЛЯ	VOLTAGE 50 Hz НАПРЯЖЕНИЕ 50 Гц	P2 NOMINAL P2 НОМИНАЛ		In A	Ø	
			KW	HP		DNA	DNM
NKM-GE 32-125.1/140/A/BAQE / 0.25/4	MEC 71	3x230-400 V ~	0.25	0.33	1.2 - 0.7	50	32
NKM-GE 32-125/142/A/BAQE / 0.37/4	MEC 71	3x230-400 V ~	0.37	0.5	2-1.18	50	32
NKM-GE 32-160.1 169/A/BAQE / 0.37/4	MEC 71	3x230-400 V ~	0.37	0.5	2 - 1.18	50	32
NKM-GE 32-160/169/A/BAQE / 0.55/4	MEC 80	3x230-400 V ~	0.55	0.75	2.8 - 1.6	50	32
NKM-GE 32-200.1 200/A/BAQE / 0.75/4	MEC 80	3x230-400 V ~	0.55	0.75	2.8 - 1.6	50	32
NKM-GE 32-200/200/A/BAQE / 0.75/4	MEC 80	3x230-400 V ~	0.75	1	3.8 - 2.2	50	32
NKM-GE 32-200/219/A/BAQE / 1.1/4	MEC 90 S	3x230-400 V ~	1.1	1.5	5 - 2.9	50	32
NKM-GE 40-125/115/A/BAQE / 0.25/4	MEC 71	3x230-400 V ~	0.25	0.33	1.2-0.7	65	40
NKM-GE 40-125/130/A/BAQE / 0.37/4	MEC 71	3x230-400 V ~	0.37	0.5	2-1.18	65	40
NKM-GE 40-125/142/A/BAQE / 0.55/4	MEC 71	3x230-400 V ~	0.55	0.75	2.9 - 1.7	65	40
NKM-GE 40-160/153/A/BAQE / 0.55/4	MEC 71	3x230-400 V ~	0.55	0.75	2.9 - 1.7	65	40
NKM-GE 40-160/166/A/BAQE / 0.75/4	MEC 80	3x230-400 V ~	0.75	1	3.8 - 2.2	65	40
NKM-GE 40-200/200/A/BAQE / 1.1/4	MEC 90 S	3x230-400 V ~	1.1	1.5	5-2.9	65	40
NKM-GE 40-200/219/A/BAQE / 1.5/4	MEC 90 L	3x230-400 V ~	1.5	2	6.2-3.6	65	40
NKM-GE 40-250/245/A/BAQE / 2.2/4	MEC 100 L	3x230-400 V ~	2.2	3	9.2 - 5.3	65	40
NKM-GE 40-250/260/A/BAQE / 3 /4	MEC 100 L	3x400 V ~ Δ*	3	4	6.7	65	40
NKM-GE 50-125/130/A/BAQE / 0.55/4	MEC 71	3x230-400 V ~	0.55	0.75	2.9 - 1.7	65	50
NKM-GE 50-125/141/A/BAQE / 0.75/4	MEC 80	3x230-400 V ~	0.75	1	3.8 - 2.2	65	50
NKM-GE 50-160/161/A/BAQE / 1.1/4	MEC 90 S	3x230-400 V ~	1.1	1.5	5-2.9	65	50
NKM-GE 50-160/177/A/BAQE / 1.5/4	MEC 90 L	3x230-400 V ~	1.5	2	6.2-3.6	65	50
NKM-GE 50-200/210/A/BAQE / 2.2/4	MEC 100 L	3x230-400 V ~	2.2	3	9.2 - 5.3	65	50
NKM-GE 50-200/219/A/BAQE / 3 /4	MEC 100 L	3x400 V ~ Δ*	3	4	6.7	65	50
NKM-GE 50-250/263/A/BAQE / 4 /4	MEC 112 M	3x400 V ~ Δ*	4	5.5	8.2	65	50
NKM-GE 65-125/130/A/BAQE / 0.75/4	MEC 80	3x230-400 V ~	0.75	1	3.8 - 2.2	80	65
NKM-GE 65-125/144/A/BAQE / 1.1/4	MEC 90 S	3x230-400 V ~	1.1	1.5	5-2.9	80	65
NKM-GE 65-160/153/A/BAQE / 1.1/4	MEC 90 S	3x230-400 V ~	1.1	1.5	5-2.9	80	65
NKM-GE 65-160/165/A/BAQE / 1.5/4	MEC 90 L	3x230-400 V ~	1.5	2	6.2 - 3.6	80	65
NKM-GE 65-160/177/A/BAQE / 2.2/4	MEC 100 L	3x230-400 V ~	2.2	3	9.2 - 5.3	80	65
NKM-GE 65-200/210/A/BAQE / 3 /4	MEC 100 L	3x400 V ~ Δ*	3	4	6.7	80	65
NKM-GE 65-200/219/A/BAQE / 4 /4	MEC 112 M	3x400 V ~ Δ*	4	5.5	8.2	80	65
NKM-GE 65-250/263/A/BAQE / 5.5/4	MEC 132 S	3x400 V ~ Δ*	5.5	7.5	11.3	80	65
NKM-GE 65-315/279/A/BAQE / 7.5/4	MEC 132 M	3x400 V ~ Δ*	7.5	10	14.7	80	65
NKM-GE 80-160/153-136/A/BAQE / 1.5/4	MEC 160 M	3x400 V ~ Δ*	1.5	2	22	80	65
NKM-GE 80-160/163/A/BAQE / 2.2/4	MEC 90 L	3x230-400 V ~	2.2	3	6.2 - 3.6	100	80
NKM-GE 80-160/177/A/BAQE / 3 /4	MEC 100 L	3x230-400 V ~	3	4	9.2 - 5.3	100	80
NKM-GE 80-200/200/A/BAQE / 4 /4	MEC 100 L	3x400 V ~ Δ*	4	5.5	6.7	100	80
NKM-GE 80-200/222/A/BAQE / 5.5/4	MEC 112 M	3x400 V ~ Δ*	5.5	7.5	8.2	100	80
NKM-GE 80-250/240/A/BAQE / 7.5/4	MEC 132 S	3x400 V ~ Δ*	7.5	10	11.3	100	80
NKM-GE 100-200/200/A/BAQE / 5.5/4	MEC 132 M	3x400 V ~ Δ*	5.5	7.5	14.7	100	80
NKM-GE 100-200/214/A/BAQE / 7.5/4	MEC 160 M	3x400 V ~ Δ*	7.5	10	22	100	80

Star starting is possible. / Возможен запуск звезда.

TECHNICAL DATA / ТЕХНИЧЕСКИЕ ХАРАКТЕРИСТИКИ

2-POLES (2900 1/min)
2 ПОЛЮСА (2900 1/min)

MODEL	ELECTRICAL DATA / ЭЛЕКТРИЧЕСКИЕ ХАРАКТЕРИСТИКИ						
	MOTOR SIZE ВЕЛИЧИНА ДВИГАТЕЛЯ	VOLTAGE 50 Hz НАПРЯЖЕНИЕ 50 Гц	P2 NOMINAL P2 НОМИНАЛ		In A	Ø	
			kW	HP		DNA	DNM
NKP-GE 32-125.1/102/A/BAQE/0.75/2	MEC 71	3x230-400 V ~	0.75	1	1.2 - 0.7	50	32
NKP-GE 32-125.1/115/A/BAQE/1.1/2	MEC 71	3x230-400 V ~	1.1	1.5	2-1.18	50	32
NKP-GE 32-125.1/125/A/BAQE/1.5/2	MEC 71	3x230-400 V ~	1.5	2	2 - 1.18	50	32
NKP-GE 32-125.1/140/A/BAQE/2.2/2	MEC 80	3x230-400 V ~	2.2	3	2.8 - 1.6	50	32
NKP-GE 32-125.1/110/A/BAQE/1.1 /2	MEC 80	3x230-400 V ~	1.1	1.5	2.8 - 1.6	50	32
NKP-GE 32-125/120/A/BAQE/1.5 /2	MEC 80	3x230-400 V ~	1.5	2	3.8 - 2.2	50	32
NKP-GE 32-125/130/A/BAQE/2.2 /2	MEC 90 S	3x230-400 V ~	2.2	3	5 - 2.9	50	32
NKP-GE 32-125/142/A/BAQE/3 /2	MEC 100	3x230-400 V ~	3	4	1.2-0.7	65	40
NKP-GE 32-160.1/155/A/BAQE/2.2/2	MEC 90 L	3x230-400 V ~	2.2	3	2-1.18	65	40
NKP-GE 32-160.1/166/A/BAQE/3 /2	MEC 100	3x230-400 V ~	3	4	2.9 - 1.7	65	40
NKP-GE 32-160/151/A/BAQE/3 /2	MEC 100	3x230-400 V ~	3	4	2.9 - 1.7	65	40
NKP-GE 32-160/163/A/BAQE/4 /2	MEC 80	3x230-400 V ~	4	6.5	3.8 - 2.2	65	40
NKP-GE 32-160/177/A/BAQE/5,5/2	MEC 90 S	3x230-400 V ~	5.5	6.8	5-2.9	65	40
NKP-GE 32-200.1/188/A/BAQE/4 /2	MEC 90 L	3x230-400 V ~	4	5.5	6.2-3.6	65	40
NKP-GE 32-200.1/205/A/BAQE/5,5/2	MEC 100 L	3x230-400 V ~	5.5	7.5	9.2 - 5.3	65	40
NKP-GE 32-200/190/A/BAQE/5.5 /2	MEC 100 L	3x400 V ~ Δ*	5.5	7.5	6.7	65	40
NKP-GE 32-200/210/A/BAQE/7.5 /2	MEC 71	3x230-400 V ~	7.5	10	2.9 - 1.7	65	50
NKP-GE 40-125/107/A/BAQE/1.5 /2	MEC 80	3x230-400 V ~	7.5	2	3.8 - 2.2	65	40
NKP-GE 40-125/120/A/BAQE/2.2 /2	MEC 90 S	3x230-400 V ~	2.2	3	5-2.9	65	50
NKP-GE 40-125/130/A/BAQE/3 /2	MEC 90 L	3x230-400 V ~	3	4	6.2-3.6	65	50
NKP-GE 40-125/139/A/BAQE/4 /2	MEC 100 L	3x230-400 V ~	4	5.5	9.2 - 5.3	65	50
NKP-GE 40-160/158/A/BAQE/5,5 /2	MEC 100 L	3x400 V ~ Δ*	5.5	7.5	6.7	65	50
NKP-GE 40-160/172/A/BAQE/7,5 /2	MEC 112 M	3x400 V ~ Δ*	7.5	10	8.2	65	50
NKP-GE 50-125/115/A/BAQE/3 /2	MEC 80	3x230-400 V ~	3	4	3.8 - 2.2	80	50
NKP-GE 50-125/125/A/BAQE/4 /2	MEC 90 S	3x230-400 V ~	4	5.5	5-2.9	80	65
NKP-GE 50-125/135/A/BAQE/5,5 /2	MEC 90 S	3x230-400 V ~	5.5	7.5	5-2.9	80	65
NKP-GE 50-125/144/A/BAQE/7,5 /2	MEC 90 L	3x230-400 V ~	7.5	10	6.2 - 3.6	80	65
NKP-GE 50-160/153/A/BAQE/7,5 /2	MEC 100 L	3x230-400 V ~	7.5	10	9.2 - 5.3	80	65
NKP-GE 65-125/120-110/A/BAQE/4/2	MEC 100 L	3x400 V ~ Δ*	4	5.5	6.7	80	65
NKP-GE 65-125/127/A/BAQE/5,5 /2	MEC 112 M	3x400 V ~ Δ*	5.5	7.5	8.2	80	65
NKP-GE 65-125/137/A/BAQE/7,5 /2	MEC 132 S	3x400 V ~ Δ*	7.5	10	11.3	80	65

ACCESSORIES FOR STANDARDISED PUMPS - SHIMS

ПРИНАДЛЕЖНОСТИ ДЛЯ СТАНДАРТНЫХ НАСОСОВ - УТОЛЩАЮЩИЕ ПРОКЛАДКИ

Available on request separately from the pump. Used to level the pump during installation so as to make up for the difference in centreline heights between the pump and the motor. The kit comprises two shims with dimensions A (width), B (length), H (height) shown in the table. The shims with a height of over 20 mm are supplied complete with screws, nuts and washers in order to fix them to the pump and motor.

Поставляются по заказу отдельно от насоса. Используются для горизонтального монтажа насоса во время монтажа, для компенсации разных высот оси насоса / двигателя.

Комплект включает две утолщающие прокладки с размерами A (ширина), B (длина), H (высота), указанными в таблице. Прокладки с размерами H свыше 20 мм поставляются в комплекте с винтами, гайками и шайбами для крепления насоса/двигателя к самой прокладке.

NKM-G 4 POLE ELECTRIC PUMP ЭЛЕКТРОНАСОСЫ NKM-G 4 ПОЛЮСА

MODEL МОДЕЛЬ	PRICE ЦЕНА €	CODE КОД	For pump type Для насоса типа	P2 kW P2 кВт	DIMENSIONS РАЗМЕРЫ A x B x H mm
KIT SHIM nr 1		147120800	NKM-G 65-315/309/11 /4	11	90 x 335 x 65
KIT SHIM nr 5		147120840	NKM-G 80-250/270/11 /4	11	80 x 290 x 40
KIT SHIM nr 2		147120810	NKM-G 80-315/305/15 /4	15	90 x 335 x 90
KIT SHIM nr 3		147120820	NKM-G 80-315/320/18,5 /4	18,5	100 x 320 x 70
			NKM-G 80-315/334/22 /4	22	
KIT SHIM nr 1		147120800	NKM-G100-250/250/11 /4	11	90 x 335 x 65
			NKM-G100-250/270/15 /4	15	
KIT SHIM nr 3		147120820	NKM-G100-315/300/18,5 /4	18,5	100 x 320 x 70
			NKM-G100-315/316/22 /4	22	
KIT SHIM nr 2		147120810	NKM-G125-250/243/15 /4	15	90 x 335 x 90
KIT SHIM nr 3		147120820	NKM-G125-250/256/18,5 /4	18,5	100 x 320 x 70
			NKM-G125-250/266/22 /4	22	
KIT SHIM nr 4		147120830	NKM-G150-200/218/11 /4	11	80 X 290 X 120

NKP-G 2 POLE ELECTRIC PUMP ЭЛЕКТРОНАСОСЫ NKM-G 2 ПОЛЮСА

MODEL МОДЕЛЬ	PRICE ЦЕНА €	CODE КОД	For pump type Для насоса типа	P2 kW P2 кВт	DIMENSIONS РАЗМЕРЫ A x B x H mm
KIT SHIM nr 6		147120850	NKP-G 32-125/142/3 /2	3	50 x 100 x 20
			NKP-G 32-160/177 /5,5/2	5,5	
			NKP-G 40-125/130/3 /2	3	
			NKP-G 40-125/139/4 /2	4	
			NKP-G 40-160/158/5,5 /2	5,5	
KIT SHIM nr 7		147120860	NKP-G 40-160/172/7,5 /2	7,5	70 x 332 x 20
			NKP-G 40-200/210/11 /2	11	
			NKP-G 40-250/230/15 /2	15	
KIT SHIM nr 6		147120850	NKP-G 40-250/245/18,5 /2	18,5	50 x 100 x 20
			NKP-G 50-125/135/5,5 /2	5,5	
KIT SHIM nr 7		147120860	NKP-G 50-125/144/7,5 /2	7,5	70 x 332 x 20
			NKP-G 50-160/169/11 /2	11	
			NKP-G 50-200/200/15 /2	15	
			NKP-G 50-200/210/18,5 /2	18,5	
			NKP-G 65-160/157/11 /2	11	
			NKP-G 65-160/173/15 /2	15	
			NKP-G 65-200/190/18,5 /2	18,5	
			NKP-G 80-160/147-127/11 /2	11	
			NKP-G 80-160/153/15 /2	15	
KIT SHIM nr 8		147120870	NKP-G 80-200/190/30 /2	30	70 x 125 x 20

COUNTERFLANGE KIT / КОМПЛЕКТ КОНТРОФЛАНЦЕВ

The kit comprises suction and delivery counterflanges with the relative seals, screws and nuts required by the size of the pump to which it refers.

Комплект состоит из контрфланцев всасывания и подачи, с прокладками, винтами и гайками, необходимыми для размера насоса, к которому они прилагаются.

MODEL МОДЕЛЬ	PRICE ЦЕНА €	CODE КОД	Counterflanges and seals Контрфланцы и прокладки	Material Материал	PN	GROSS WEIGHT Kg ВЕС БРУТТО кг	MODEL МОДЕЛЬ	PRICE ЦЕНА €	CODE КОД	Counterflanges and seals Контрфланцы и прокладки	Material Материал	PN	GROSS WEIGHT Kg ВЕС БРУТТО кг
DIN 32		109620520	1 x DN 32 + 1 x DN 50	Threaded РЕЗЬБОВЫЕ STEEL СТАЛЬ	16	5,9	DIN 50		109620420	1 x DN 50 + 1 x DN 65	To knit Для сварки STEEL СТАЛЬ	16	6,6
DIN 40		109620530	1 x DN 40 + 1 x DN 65	Threaded РЕЗЬБОВЫЕ STEEL СТАЛЬ	16	6,6	DIN 65		109620430	1 x DN 65 + 1 x DN 80	To knit Для сварки STEEL СТАЛЬ	16	8,1
DIN 50		109620540	1 x DN 50 + 1 x DN 65	Threaded РЕЗЬБОВЫЕ STEEL СТАЛЬ	16	7,6	DIN 80		109620440	1 x DN 80 + 1 x DN 100	To knit Для сварки STEEL СТАЛЬ	16	10,4
DIN 65		109620550	1 x DN 65 + 1 x DN 80	Threaded РЕЗЬБОВЫЕ STEEL СТАЛЬ	16	8,6	DIN 100		109620450	1 x DN 100 + 1 x DN 125	To knit Для сварки STEEL СТАЛЬ	16	13,13
DIN 32		109620400	1 x DN 32 + 1 x DN 50	To knit Для сварки STEEL СТАЛЬ	16	5,1	DIN 125		109620460	1 x DN 125 + 1 x DN 150	To knit Для сварки STEEL СТАЛЬ	16	16,4
DIN 40		109620410	1 x DN 40 + 1 x DN 65	To knit Для сварки STEEL СТАЛЬ	16	6	DIN 150		109620470	1 x DN 150 + 1 x DN 200	To knit Для сварки STEEL СТАЛЬ	16 (10 x DN 200)	21,5

