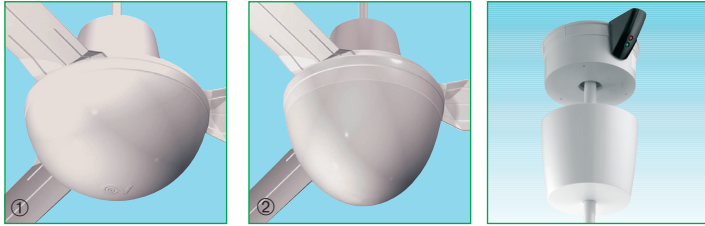




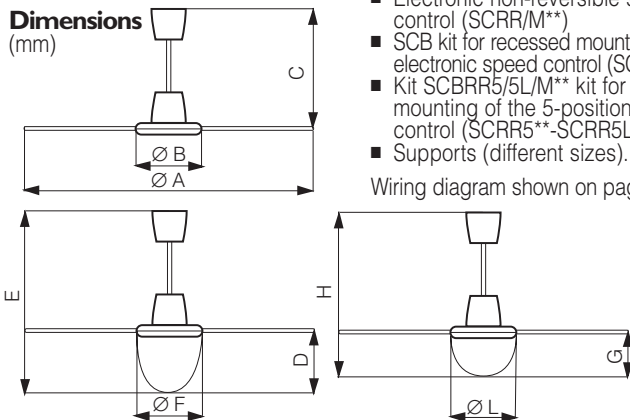
# NORDIK® EVOLUTION R SERIES



## ■ Innovative, eye-catching design

- Available in four sizes (with 90, 120, 140 and 160 blades) and four colour finishes: white, silver, black and briar wood.
- Fan induction motor with external rotor set on ball bearings, for maximum efficiency even at low speed.
- Painted steel laminate blades feature a profile specially designed to ensure silent operation, making the fans perfect for nocturnal operation as well.
- A ceiling fan can cool an area equal to 2.5 times the diameter of the blades (Ø A) in an open room. Minimum installation height from floor: 2.3 m.
- All appliances manufactured to CEI EN 60335-2-23 standards.
- Metal parts finished with scratchproof polyester paint.
- Supplied with 375 mm steel support.

## Dimensions (mm)



## NEW REVERSIBLE CEILING FANS

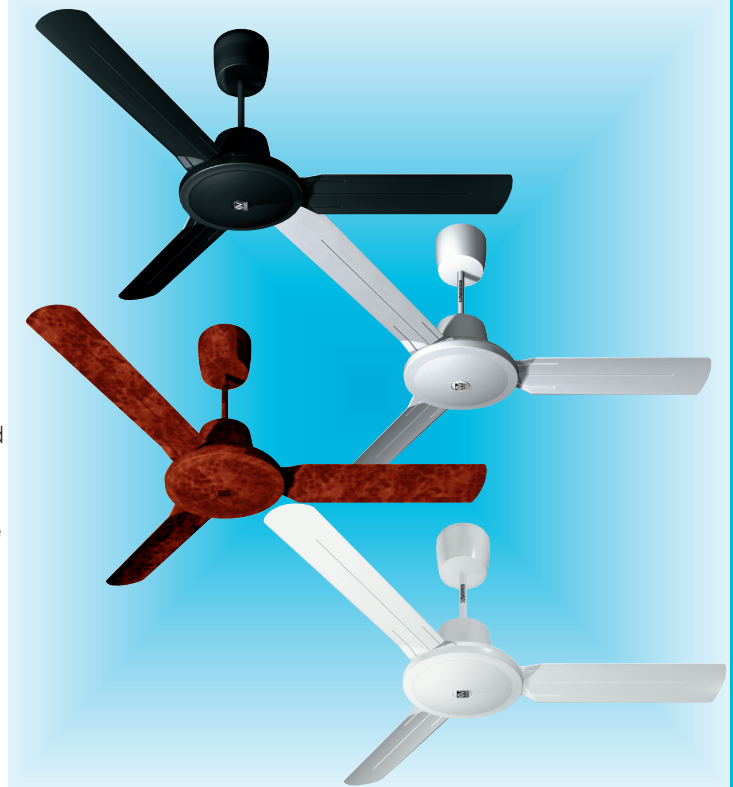
- **Reverse function:** it allows to reverse the air flow direction from floor to ceiling: this means that the flow is no longer direct, but wider and more all-round. It also improves the elimination of heat layer in winter, reducing the difference in temperature between the floor (where the temperature is lower) and the ceiling (where it is higher).

Design: F. Trabucco & Ass.

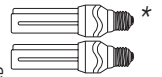
## Accessoires \*\*not available in UK (description technique pages 188/190)

- Evolution Light kit ES\*\*: for energy-saving lamps
- Evolution Light kit: for conventional incandescent lamps
- Infrared ray remote control (Telenordik 5T - Telenordik 5TR)
- 5-position speed control (SCRR5\*\* - SCRR5L\*\*)
- Electronic non-reversible speed control (SCRR/M\*\*)
- SCB kit for recessed mounting of the electronic speed control (SCRR/M\*\*).
- Kit SCBRR5/5L/M\*\* kit for recessed mounting of the 5-position speed control (SCRR5\*\* - SCRR5L\*\*).
- Supports (different sizes).

Wiring diagram shown on page XXVII.

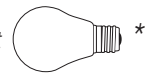


① Evolution Light Kit ES mode for n° 2 energy saving lamps, with Edison E27 attachment; max. power 15 W. Ceiling light in MM satin-finished/opaline transparent methacrylate with light diffuser



## Not suited for use with incandescent lamps

② Evolution Light Kit: for use with conventional incandescent lamps, with Edison E27 attachment; max. power 150 W. Ceiling light made from blown three-layer opaline glass.



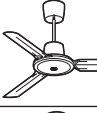
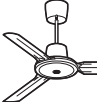


③ The receiver is hidden inside the fan casing, with only the tip in which the sensor is located protruding.

\* not in endowment

**Awards** Product selected for the ADI Design Index 2004  
Product selected for the Grandesign 2004

Evolution	Ø A	Ø B	C	D	E	Ø F	G	H	Ø L
90	980	298	495	229	724	291	145	640	291
120	1284	298	495	229	724	291	145	640	291
140	1488	298	495	229	724	291	145	640	291
160	1590	298	495	229	724	291	145	640	291

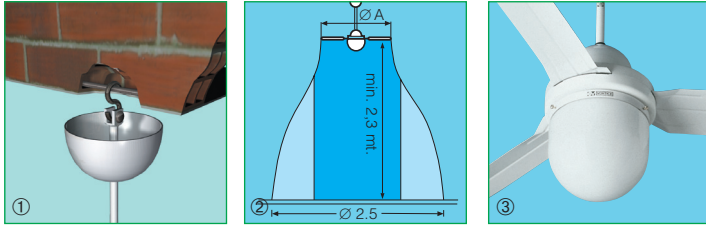
Product	Color	Code	V ~ 50 Hz	W	A	Rpm	m³/h	Approvals	kg	Insulation
	White	Nordik Evolution R 90/36"	61750**	220-240	70	0.34	200	11.592	6.4	cl.I
		Nordik Evolution R 120/48"	61751**	220-240	70	0.34	198	13.810	6.8	cl.I
		Nordik Evolution R 140/56"	61752**	220-240	70	0.35	197	16.586	7.1	cl.I
		Nordik Evolution R 160/60"	61753**	220-240	70	0.34	193	17.011	7.6	cl.I
	Silver	Nordik Evolution R 120/48"	61754**	220-240	70	0.34	198	13.810	6.8	cl.I
		Nordik Evolution R 140/56"	61757**	220-240	70	0.35	197	16.586	7.1	cl.I
	Black	Nordik Evolution R 120/48"	61756**	220-240	70	0.34	198	13.810	6.8	cl.I
		Nordik Evolution R 140/56"	61759**	220-240	70	0.35	197	16.586	7.1	cl.I
	Wood-grain	Nordik Evolution R 120/48"	61755**	220-240	70	0.34	198	13.810	6.8	cl.I
		Nordik Evolution R 140/56"	61758**	220-240	70	0.35	197	16.586	7.1	cl.I

\*\* Not available in UK

Capacity measured in compliance with CEI 107/35.76 standards

Sound pressure and level compliant with ISO 3744.

# NORDIK® DESIGN 1S-1SL SERIES



■ **Pleasant design which adds an attractive touch to bedrooms, living rooms, shops, stores and other public places. The 160/60" model is suitable for recirculating heat in industrial areas.**

- Available in four blade sizes (90, 120, 140 and 160) and in white or black finish.
- Selection of 6 basic models and 5 models with light.
- Induction motor with external rotor for greater power at slow speeds.
- Also suitable for night time operation due to strong coated steel laminate blades with a shape designed to guarantee quiet performance.
- Complies with the CEI EN 60335-2-80 standard.

- Metal parts coated with scratchproof polyester powder.
- Supplied with 37.5 cm ceiling rods.

*Design: F. Trabucco and M. Vecchi*

### Awards

IF 84 Gute Industrieform  
Hannover 1984 – Germany



### Accessories

(description and data on pages 188/190)

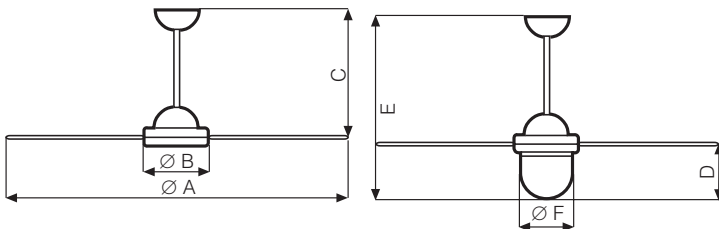
- Infrared remote-control unit (TeleNordik® 5T).
- 5-position speed controller (SCNR5, SCNRL5).
- Wide range of ceilings rods.

Wiring diagrams shown on page XXVII.



- ① Steel ceiling hook for added safety during operation.
- ② In an empty room a ceiling-mounted fan can provide cooling to an area which is 2.5 times the diameter of the blades. Minimum fan-to-floor distance: 2.3 m.
- ③ Light diffuser globe for models with lights. Can be used with bulbs up to 150 W incorporates mirror reflector.

### Dimensions (mm)



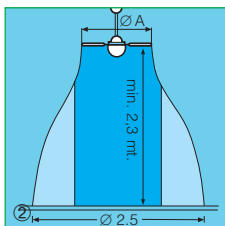
Nordik Design	Ø A	Ø B	C	D	E	Ø F
1S 90	914	230	485	–	–	–
1S 120	1220	230	485	–	–	–
1S 140	1420	230	485	–	–	–
1S 160	1620	230	485	–	–	–
1S L 90	914	230	485	190	670	205
1S L 120	1220	230	485	190	670	205
1S L 140	1420	230	485	190	670	205
1S L 160	1620	230	485	190	670	205

Product	Colour	Code	V ~ 50 Hz	W	A	Rpm	m <sup>3</sup> /h	Approvals	kg	Insulation	
	White	1S 90/36"	61160**	220-240	70	0.32	235	8.730		5	cl.I
		1S 120/48"	61260**	220-240	70	0.33	205	11.820		5.5	cl.I
		1S 140/56"	61360**	220-240	70	0.33	215	13.680		5.6	cl.I
		1S 160/60"	61460**	220-240	70	0.34	215	14.000		6.6	cl.I
	White	1S/L 90/36"	61001**	220-240	220	0.32	235	8.730		6.3	cl.I
		1S/L 120/48"	61101**	220-240	220	0.33	205	11.820		6.5	cl.I
		1S/L 140/56"	61301**	220-240	220	0.33	215	13.680		6.7	cl.I
		1S/L 160/60"	61401**	220-240	220	0.34	215	14.000		7.7	cl.I
	Black	1S/L 120/48"	61104**	220-240	220	0.33	205	11.820		6.5	cl.I
		1S 120/48"	61154**	220-240	70	0.33	205	11.820		5.5	cl.I
		1S 140/56"	61354**	220-240	70	0.33	215	13.680		5.6	cl.I

\*\* Not available in UK Flow rates measured according to CEI 107/35.76 standards.

Conforms with ISO 3744 for noise and pressure levels.

# NORDIK® INTERNATIONAL PLUS-R 140/56" IPX5



- The innovative blades, rod and motor shaft of the Nordik International Plus R IPX5 140/56" are made from galvanised steel to prevent corrosion and are finished in an ice white scratch-proof polyester paint.
- Reversible.
- KEEPS COOL - With its pleasant design and silent running this ceiling-mounted fan can provide cooling to an area which is 2.5 times the diameter of the blades.
- REVERSIBLE - This function draws air from beneath the fan and directs it upwards instead, inducing a more diffused downward air flow around the fan. This avoids unpleasant draughts forming in the direction of the users. (The mixing of the air creates a more diffused, less directional ventilation).
- In larger heated environments (shops, greenhouses, etc.), heat distribution may not always be uniform. This problem can be solved by DESTRATIFYING the air using ceiling fans in a suitable number for the area concerned.
- Air is always DESTRATIFIED, irrespective of what direction of rotation is selected. Only the manner of diffusion changes.
- IPX5 Splashproof protection makes the product ideal for installation in outdoor environments (verandas, balconies, sheds, etc) and in work environments characterised by high levels of humidity (glasshouses etc.) or even high pressure water jets (workshops, etc.).
- The innovative blades, rod and motor shaft of the Nordik International Plus R IPX5 140/56" are made from galvanised steel to prevent corrosion and are finished in an ice white scratch-proof polyester paint.
- Electric induction motor shaft made entirely rotor for trouble-free, silent running
- Casing in impact-resistant, PP plastic resin with anti-UV, anti-yellowing treatment
- Specifications and performance IMQ certified
- Appliance manufactured in conformity to: Safety standards: EN 60335-2-80 (2003) + A1 (2004) and EN 50366 (2003). Splash protection: EN 60529 (1997) + A1 (2000)

Design: F. Trabucco - M. Vecchi

**Accessoires** \*\*not available in UK (description technique pages 188/190)

- 5-position speed control (SCRR5\*\*-SCRR/M\*\*) reversible.

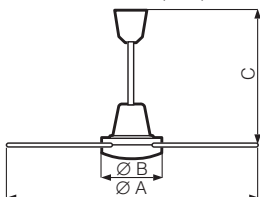
Wiring diagram shown on page XXVII.






① Nordik International Plus-R featuring galvanised steel blades to prevent corrosion.  
 ② Minimum fan-to-floor distance: 2.3 m.

**IPX5:**  
 Fully protected against water splashes. Even directing a jet of water on to the casing from any direction does not cause any damage.

### Dimensions (mm)



Nordik International Plus R-IPX5	Ø A	Ø B	C
140/56"	1422	230	495

Product	Colour	Code	V ~ 50 Hz	W motor	A	Rpm	m <sup>3</sup> /h	Approvals	kg	Insulation
 Nordik International Plus R-IPX5 140/56"	White	61742	220-240	70	0.33	231	13.500		6.2	 cl.I

Capacity measured in compliance with CEI 107/35.76 standards

Sound pressure and level compliant with ISO 3744.

# NORDIK® INTERNATIONAL PLUS



■ **Simple, modern design suitable for any type of room. The model 160/60" is especially suitable for heat recirculation in industrial and commercial applications.**

- Available in 4 blade sizes (90, 120, 140 and 160) in white.
- Induction motor with external rotor for greater power at slow speed.
- Also suitable for night time operation due to strong coated steel laminate blades with a shape designed to guarantee quiet performance.
- Complies with the CEI EN 60335-2-80 standard.
- Metal parts painted with scratchproof polyester powder.
- Supplied with 37.5 cm ceiling rods.

### Accessories

(description and data on pages 188/190)

- Infrared remote-control unit (TeleNordik® 5T).
- 5-position speed controller (SCNR5, SCNRL5).
- Wide range of ceilings rods.
- Plus Light Kit (code 22415).

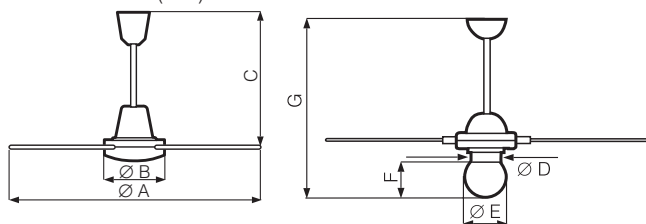
Wiring diagrams shown on page XXVII.



- ① Steel ceiling hook for added safety during operation.
- ② Light diffuser globe (optional kit), made of strong, layered glass with opaque finish, incorporates mirrored reflector. Can be used with bulbs up to 150 W.
- ③ In an empty room a ceiling-mounted fan can provide cooling to an area which is 2.5 times the diameter of the blades. This cooling effect is greater when there are walls tangent to the circumference. Minimum fan-to-floor distance: 2.3 metres.

Design: F. Trabucco and M. Vecchi

### Dimensions (mm)



Nordik International Plus	Ø A	Ø B	C	Ø D	Ø E	F	G
90/36"	914	230	495	130	200	180	776
120/48"	1218	230	495	130	200	180	776
140/56"	1422	230	495	130	200	180	776
160/60"	1524	230	495	130	200	180	776

Product	Colour	Code	V ~ 50 Hz	W motor	A	Rpm	m <sup>3</sup> /h	Approvals	kg	Insulation
Nordik International Plus 90/36"	White	61701	220-240	70	0.32	228	8.550		5.5	cl.I
Nordik International Plus 120/48"		61711	220-240	70	0.33	234	9.900		5.9	cl.I
Nordik International Plus 140/56"		61721	220-240	70	0.33	231	13.500		6.2	cl.I
Nordik International Plus 160/60"	White	61731	220-240	70	0.33	201	14.000		6.7	cl.I

Flow rates measured according to CEI 107/35.76 standards.

Conforms with ISO 3744 for noise and pressure levels.

# NORDIK® DECOR 1S RANGE



■ Refined design ideal for use in homes, pubs, restaurants, etc., where aesthetics matter.

■ Available in 2 blade sizes (90 and 140) and in the white or wood grain finish.

■ Induction motor with external rotor for greater power at slow speeds.

■ Also suitable for night time operation, due to 4 painted steel-sheet blades designed for efficient, silent operation, even at low speeds.

■ Metal parts painted with long-life pigments and finished with transparent, scratchproof lacquer.

■ Brass-finished steel blade connections.

■ Provided with 37.5 cm ceiling rods.

*Design: F. Trabucco and M. Vecchi*

### Accessories

(description and data on pages 188/190)

■ Infrared remote-control unit (TeleNordik® 5T).

■ 5-position speed controller (SCNR5, SCNRL5).

■ Wide range of ceilings rods.

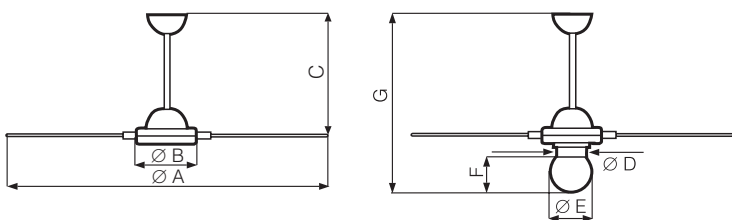
■ Decor Light Kit (Code 22416).

Wiring diagram shown on page XXVII.



- ① Steel ceiling hook for added safety during operation.
- ② Light diffuser globe (optional kit), made of strong, layered glass with opaque finish. Can be used with bulbs up to 150 W.
- ③ In an empty room a ceiling-mounted fan can provide cooling to an area which is 2.5 times the diameter of the blades. This cooling effect is greater when there are walls tangent to the circumference. Minimum fan-to-floor distance: 2.3 metres.

### Dimensions (mm)



Nordik Decor 1S	Ø A	Ø B	C	Ø D	Ø E	F	G
90/36"	914	248	491	130	200	180	756
140/56"	1422	248	491	130	200	180	756

Product	Colour	Code	V ~ 50 Hz	W motor	A	Rpm	m³/h	Approvals	kg	Insulation
Nordik Decor 1S 90/36"	White	61052**	220-240	70	0.32	235	8.520		7.3	cl.I
Nordik Decor 1S 140/56"		61342**	220-240	70	0.33	215	13.470		8	cl.I
Nordik Decor 1S 140/56"	Wood-grain	62000**	220-240	70	0.33	215	13.470		8	cl.I

\*\*Not available in UK Flow rates measured according to CEI 107/35 standards.

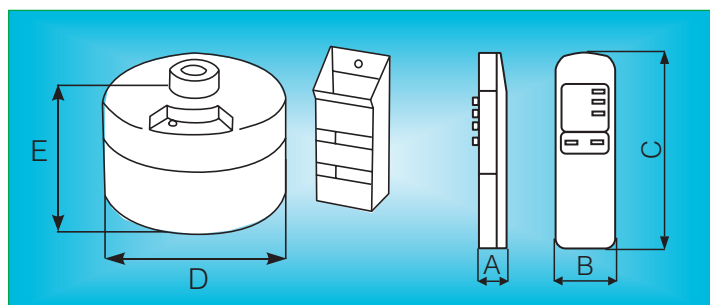
Conforms with ISO 3744 for noise and pressure levels.

## Infrared remote-control system for Vortice® ceiling-mounted fans

- **For all ceiling-mounted fans, with or without light. Can be retro-fitted.**
- Uses infrared transmission to eliminate possible interference with radios or other electrical units.
- Set consists of a receiver, which is fitted to the fan ceiling rod, a transmitter, which sends the desired commands to the fan and a transmitter carrying case which can be fixed to the wall.
- Provided with LED indicators showing operation and "stand-by" status (power on).
- Remote-control range: approximately 13 meters line of sight.
- Fan and remote-control unit are both IMQ approved.
- Easy to install as connections between the fan and fixed speed regulator are not necessary.
- Transmitter can control any TeleNordik receiver.

Product	Telenordik 5T	Telenordik 5TR
Code	22387	22386
Remote control	infra red	infra red
Receiver Volt at 50 Hz	220-240	220-240
Maximum load Watt	100	100
Transmitter battery	2 x AAA 1.5 V	2 x AA 1.5 V
Receiver kg	0.76	0.76
Transmitter kg	0.06	0.06
Insulation	☐ cl.II	☐ cl.II

### Telenordik® 5T

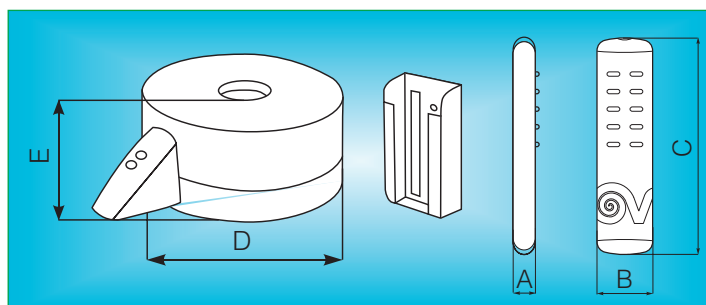


- **Suitable for fans with or without light.**
- 5 selectable speeds, as well as fan and light on/off switch
- "Timer" button to set fan turn-on and turn-off times (approx. 1 hour interval).

#### Dimensions (mm)

Telenordik	A	B	C	D	E
5T	22	42	150	145	90
5 TR	20	43	155	154	62

### Telenordik® 5TR

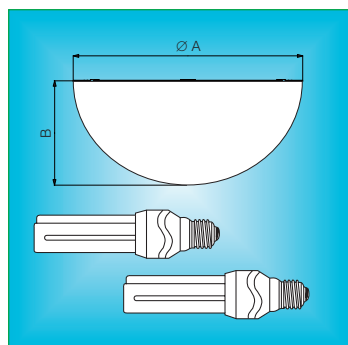


- **New infrared remote control 5 speeds-timer-reverse**

- The receiver is hidden inside the fan casing, with only the tip in which the sensor is located protruding.

### Evolution Light Kit ES

(cod. 22414)



- **Lighting system kit for all Nordik Evolution fans.**
- Model for two energy saving lamps with Edison E27 fittings and maximum power output of 15 W each (equivalent to 75 W each)
- Diffuser globe made of strong laminated glass with opaque finish.  
Lamp max 15W.  
Length=165 mm max.

- **Not suitable for incandescent bulbs**

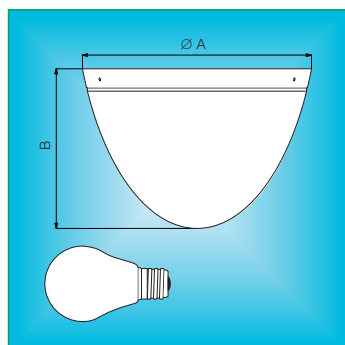
- Weight 1 kg.

#### Dimensions (mm)

	Ø A	B
Evolution Light Kit ES	291	120
Evolution Light Kit	291	203

### Evolution Light Kit

(cod. 22413)



- **Lighting system kit for all Nordik Evolution fans.**
- Model for one traditional incandescent bulb with Edison E27 fitting and maximum power output of 150 W
- Diffuser made of opalescent laminated glass
- Weight 1.6 kg.

### Decor Light Kit

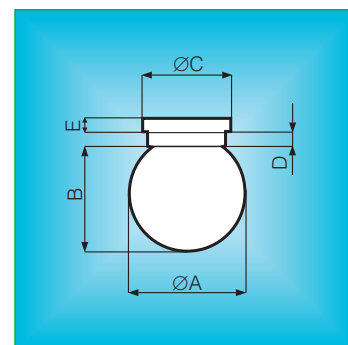
(code 22416)



- **Kit for all the Nordik® Décor models.**
- Brass-finished steel globe-support ceiling rose.
- Diffuser globe made of strong, laminated glass with opaque finish.
- Lamp: max 150W with E27 fitting.
- Weight: 1.8 kg.

### Plus Light Kit

(code 22415)



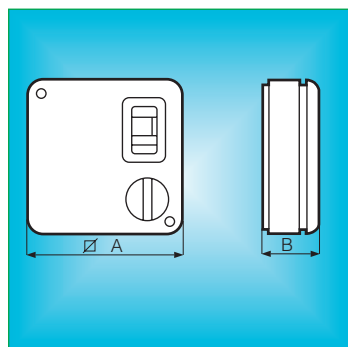
- **Kit for all the Nordik® International Plus models.**
- Lamp: max 150W with E27 fitting.
- Weight: 1.8 kg.

#### Dimensions (mm)

	Ø A	B	Ø C	D	E
Light kit	200	180	130	35	20

## Speed controllers for ceiling-mounted fans Design and Decor

**SCNR5**  
(code 12955)



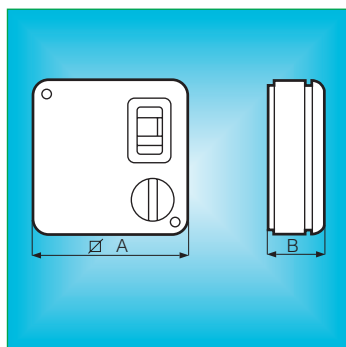
■ **5-position speed controller for ceiling-mounted fans without light.**

- Convertible to flush-mounted using SCB5 Kit.
- 220-240V ~ 50 Hz.
- Maximum load: 100W
- Weight: 0.58 kg.
- Double insulation

**Dimensions (mm)**

	∅ A	B
SCNR5	120	55

**SCNRL5**  
(code 12957)



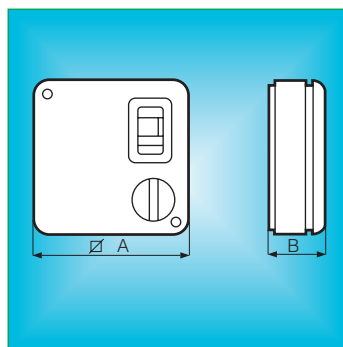
■ **5-position speed controller for ceiling-mounted fans with light.**

- Convertible to flush-mounted using SCB5 Kit.
- 220-240V ~ 50 Hz.
- Maximum load: 250W
- Weight: 0.58 kg.
- Double insulation

**Dimensions (mm)**

	∅ A	B
SCNRL5	120	55

**SCNR/M / C 2.5**  
(code 12982 / 12967)



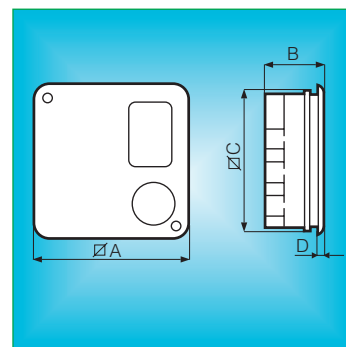
■ **Electronic, reversible speed controller for use with up to 6 ceiling-mounted fans.**

- Convertible to flush-mounted using SCB5 Kit.
- 220-240V ~ 50 Hz.
- Maximum load: 450W (2.5 A)
- Weight: 0.2 kg.
- Double insulation

**Dimensions (mm)**

	∅ A	B
SCNR/M / C 2.5	120	43

**SCB5 Kit**  
(code 22483)



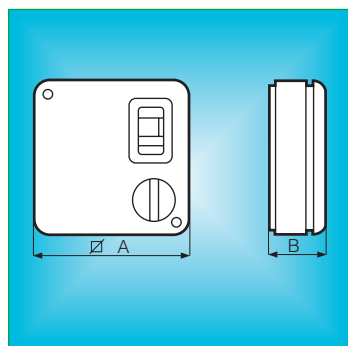
■ **Kit to convert SCNR5 and SCNRL5 5-position controllers from surface to flush-mounted.**

**Dimensions (mm)**

	∅ A	B	∅ C	D
SCB5	142	59.5	135	4.5

## Speed controllers for ceiling-mounted fans Evolution Reversible and International Plus-R IPX5

**SCRR5**  
(cod. 12963)



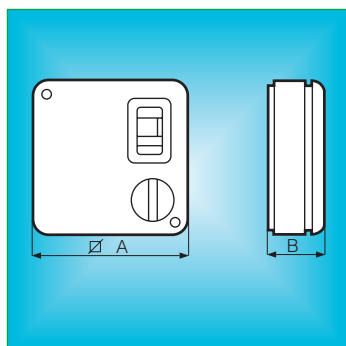
■ **5-position speed controller for ceiling-mounted fans without light.**

- Convertible to flush-mounted using SCBBRR5/5L/M.
- 220-240V ~ 50 Hz.
- Maximum load: 100W
- Weight: 0.58 kg.
- Double insulation

**Dimensions (mm)**

	∅ A	B
SCRR5	120	55

**SCRR5L**  
(cod. 12964)



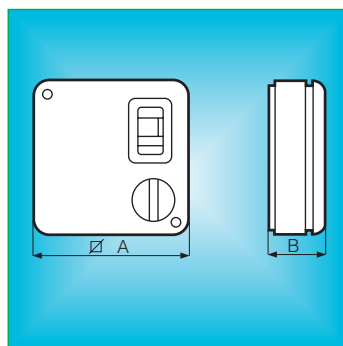
■ **5-position speed controller for ceiling-mounted fans with light.**

- Convertible to flush-mounted using SCBBRR5/5L/M.
- 220-240V ~ 50 Hz.
- Maximum load: 250W
- Weight: 0.58 kg.
- Double insulation

**Dimensions (mm)**

	∅ A	B
SCRR5L	120	55

**SCRR/M**  
(cod. 12965)



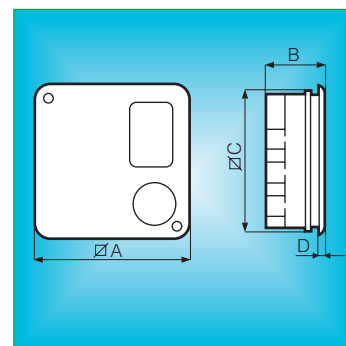
■ **Electronic, reversible speed controller for use with up to 6 ceiling-mounted fans.**

- Convertible to flush-mounted using SCBBRR5/5L/M (cod. 22489).
- 220-240V ~ 50 Hz.
- Maximum load: 450W (2.5 A)
- Weight: 0.2 kg.
- Double insulation

**Dimensions (mm)**

	∅ A	B
SCRR/M	120	43

**Kit SCBBRR5/5L/M Built-in**  
(cod. 22489)



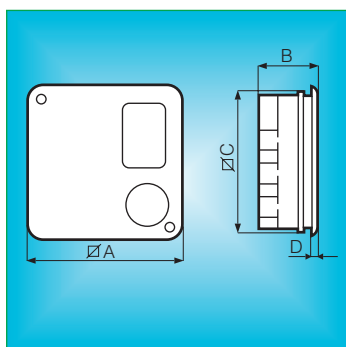
■ **Kit to convert SCRR5 and SCRR5L 5-position controllers from surface to flush-mounted.**

**Dimensions (mm)**

	∅ A	B	∅ C	D
SCBBRR5/5L/M	142	59.5	135	4.5



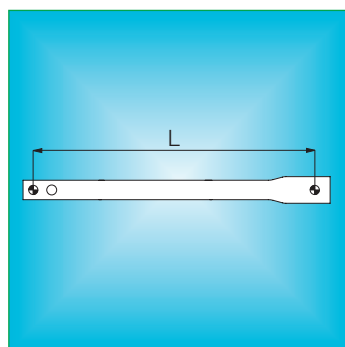
## SCB Kit (code 22481)



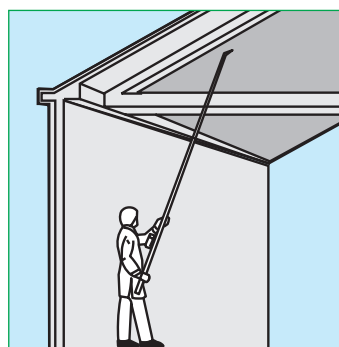
- **Kit to convert SCNR/M - C 2.5 electronic speed controller from surface to flush-mounted.**

## Ceiling rods

- Varying lengths to enable installation at desired height.



## Telescopic electronic thermometer (code 13020)



- **Quickly shows the temperature difference between the ceiling and the floor.**
- Consists of a telescopic rod with a temperature sensor mounted on the top and connected to an

electronic thermometer. Can also be used with sensor mounted directly on the thermometer.

- Transmitter battery: 2 x AAA 1.5 V
- Weight: 0.8 kg.
- Dimensions: closed 1.12 mt – open 6.6 mt.

## Dimensions (mm)

	ØA	B	ØC	D
SCB	142	59.5	135	4.5

	L rod = mm	200	250	350	500	750	1000
<b>Lines</b>	<b>Colour</b>						
International Plus / Evolution	White	22032	22033	22042	22051	22074	22077
Design / Decor	White	22030	22034	22040	22052	22072	22075
Design / Evolution	Black	–	22036	22037	22038	22039	22043
Decor / Evolution	Wood-grain	22079	22047	22058	22092	22064	22071
International Plus / Evolution	Silver	22023	22024	22026	22027	22028	22029