

**MADE  
IN  
ITALY**

# PUMPS PIUSI EX50 - EX75

## EN.

PIUSI EX50 satisfies the strict ATEX / IECEx directive concerning the use of materials in potentially explosive atmospheres.

- Sturdy and compact structure;
- Cast iron body;
- High efficiency pump that can deliver up to 50 l / min, with reduced absorption to ensure a long service life;
- Anti-noise filter (electromagnetic compatibility EMC);
- Flanged components: pump, meter and filters can be installed or replaced without the use of sealant, making connection quick and safe;
- Bypass valve built;
- Thermal protection;
- Non-return valve and pressure relief valve;
- Suction unit with integrated filter.

## ES.

PIUSI EX50 cumple con las directivas estrictas de ATEX / IECEx sobre el uso de los materiales en atmósferas potencialmente explosivas.

- Estructura fuerte y compacta
- Cuerpo de hierro fundido
- Bomba de alto rendimiento que puede suministrar hasta 50 l / min, con absorción reducida para asegurar larga vida
- Filtro anti-ruído (compatibilidad electromagnética EMC);
- Componentes con bridas: bomba, medidor y filtros se pueden instalar o reemplazar sin el uso de sellador, permitiendo una conexión rápida y segura
- Válvula de bypass incorporada
- Protección térmica
- Válvula de retención y válvula de descarga de sobrepresión
- Unidad de succión con filtro integrado

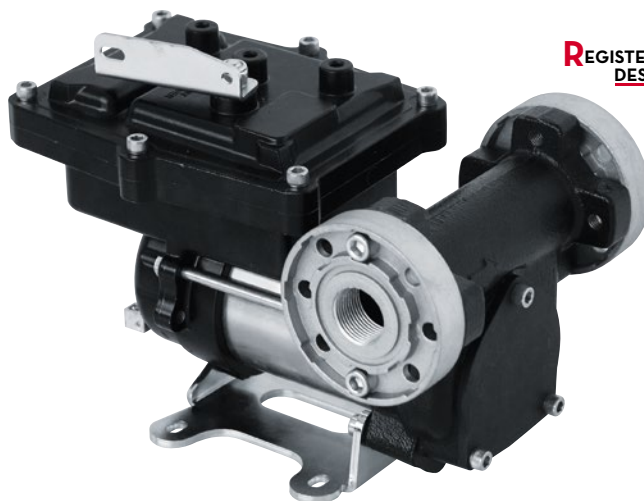
## RU.

PIUSI EX50 соответствует требованиям строгих директив АТЕХ/ІЕСЕх, относящихся к использованию оборудования в потенциально взрывоопасных атмосферах.

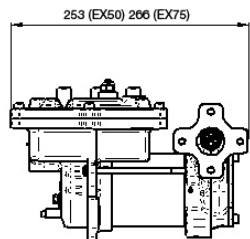
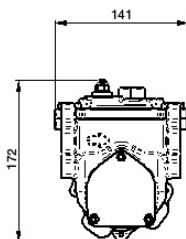
- Прочная и компактная конструкция;
- Чугунный корпус;
- Высокоэффективный двигатель, способный подавать до 50 л/мин, уменьшенное энергопотребление, гарантирующее длительную службу;
- Противошумовой фильтр (электромагнитная совместимость ЭМС);
- Фланцевые детали: насос, счетчик литров и фильтры можно установить или заменить без использования герметика, позволяя выполнять соединения быстро и надежно;
- Встроенный обводной клапан;
- Тепловая защита.



**REGISTERED  
DESIGN**



## DIMENSIONS



## PRODUCTS' RANGE WEIGHT AND PACKAGING

Code	Weight		Packaging		N. Boxes/ Europallet	
	kg	lbs	mm	pcs/ box		
F00371000	6,9	15,2	345x175x225	1	60	84
F00372020	7,9	17,4	345x175x225	1	60	84
F0037300A	6,9	15,2	345x175x225	1	60	84
F0037402A	7,9	17,4	345x175x225	1	60	84
F00380000	8	17,8	350x185x260	1	60	84



**PUMPS**

ANTIFREEZE  
BIO DIESEL  
DIESEL  
FOOD  
GASOLINE  
GREASE  
KEROSENE  
OIL  
AdBlue®  
WATER  
WINDSCREEN

**Flow-rate**  
up to  
**75** l/min  
(up to 19,8 gpm)



DISPENSERS

PUMPS

METERS

NOZZLE METERS

NOZZLE

SPECIAL EQUIPMENTS

FLUID MONITORING

ACCESSORIES

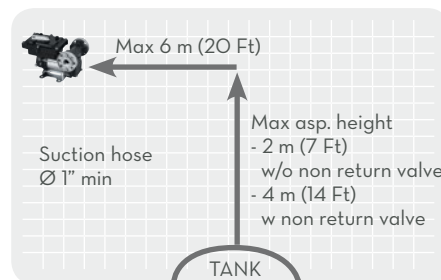
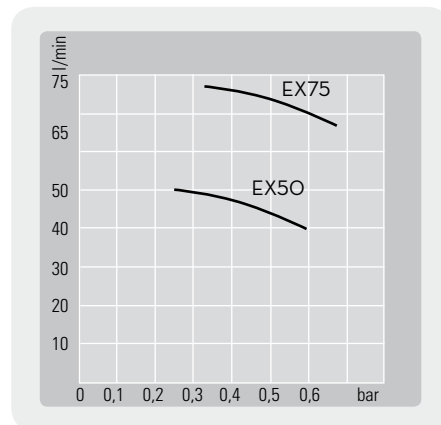
FILTERING



**Ex** **IEC** **Ex** EX50 PUMP



**Ex** **IEC** **Ex** EX50 KIT  
- Integrated Check valve and Pressure Relief valve  
- nozzle holder switch  
- drum 2" connector



Our pump complies with the following marking ATEX/IECEX

II	2	G	Ex	EX50 d	EX75 db	EX50 IIA	EX75 IIB	T4	Gb
GROUP	CATEGORY	TYPE OF EXPLOSIVE ATMOSPHERE	PERMANENT PREFIX	PROTECTION METHOD	PROTECTION METHOD	GAS CLASS	GAS CLASS	TEMPERATURE CLASS	EQUIPMENT PROTECTION LEVEL

**FEATURES**



**ON REQUEST**



Code: F18796000

**PRODUCTS' RANGE TECHNICAL DATA**

Code	Description	Fluids type	Flow-rate		Voltage			Duty cycle on/off min.	rpm	Inlet BSP
			l/min	gpm	AC V/Hz DC Volt	Power Watt	Amp. max.			
F00371000	EX50 12V DC ATEX	DEK	50	13	12	250	21	30/60	2700	1"
F00372020	Kit Drum EX50 12V DC ATEX	DEK	50	13	12	250	21	30/60	2700	1"
F0037300A	EX50 230V AC ATEX	DEK	50	13	230/50-60	250	1	30/60	2700	1"
F0037402A	Kit Drum EX50 230V AC ATEX *	DEK	50	13	230/50-60	250	1	30/60	2700	1"
F00380000	EX75 12V DC ATEX	DEK	75	19,8	12	240	20	30/30	2700	1"

(\*) Upon request it is available with different voltages and 60 Hz frequency

The pump can be used only with the following fluids: - diesel - kerosene - petrol - petrol alcohol mixed max 15% - avgas 100/100LL (pump only) - jet A/A1 (pump only) - aspen 2/4