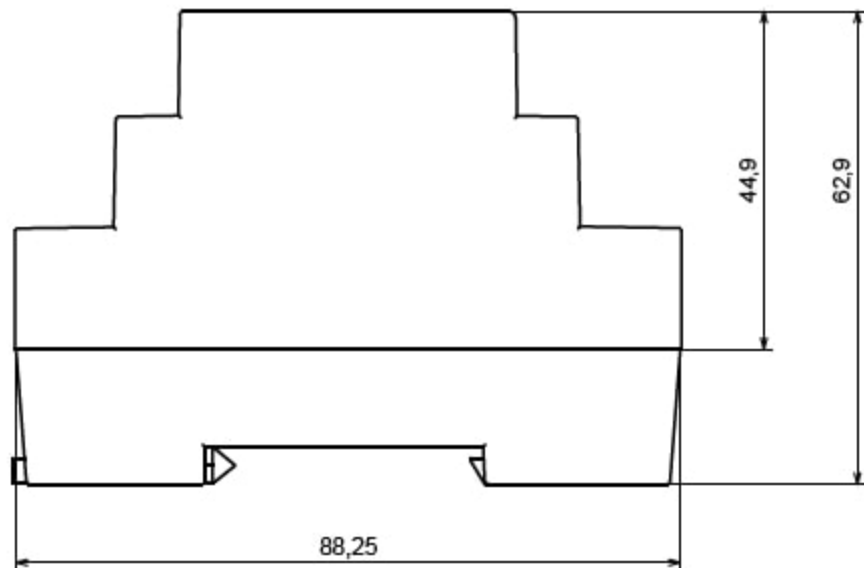
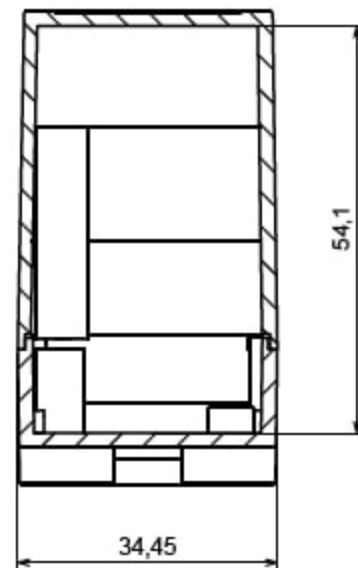


A |

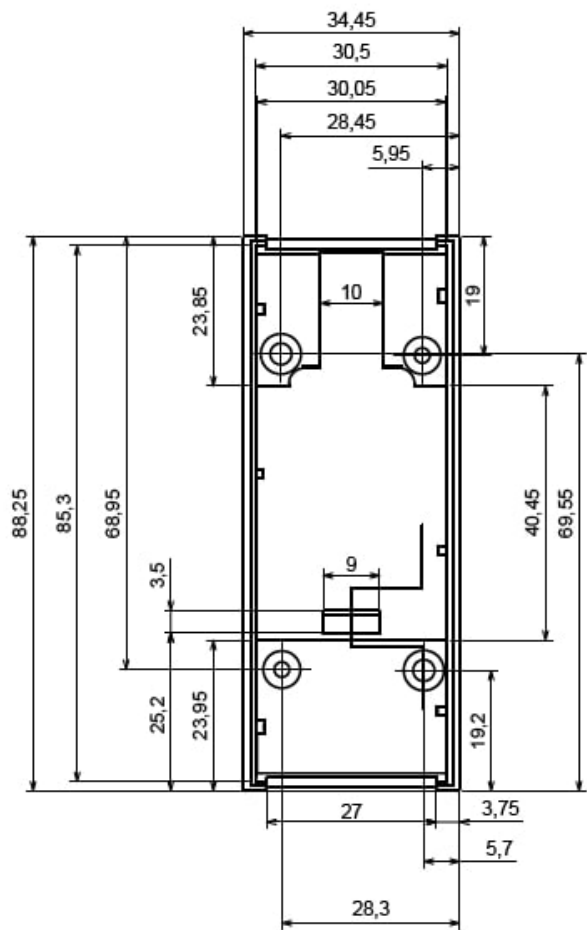


A |

A-A

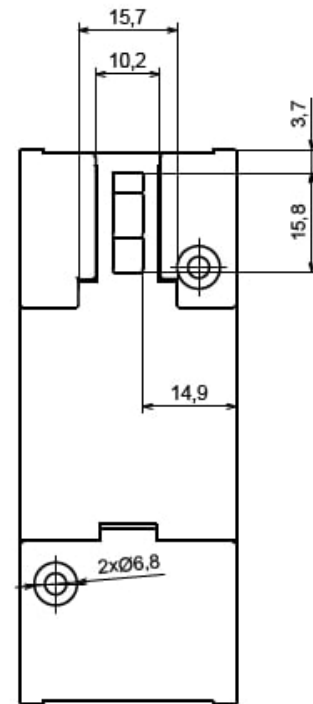
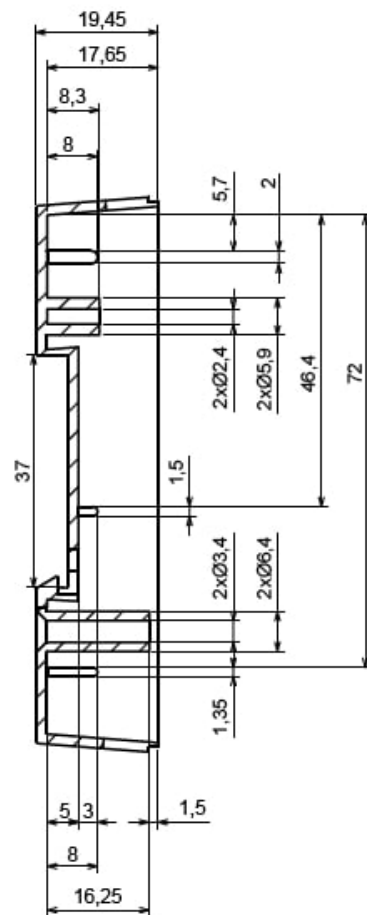


B

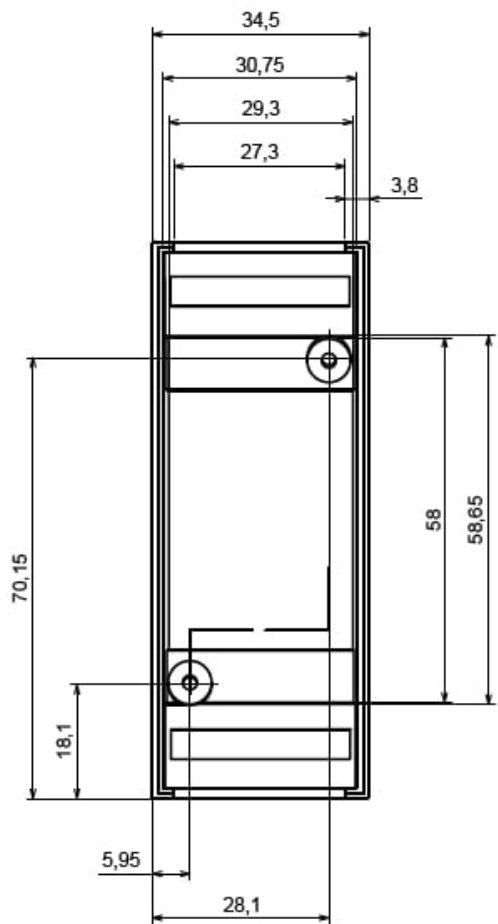


B

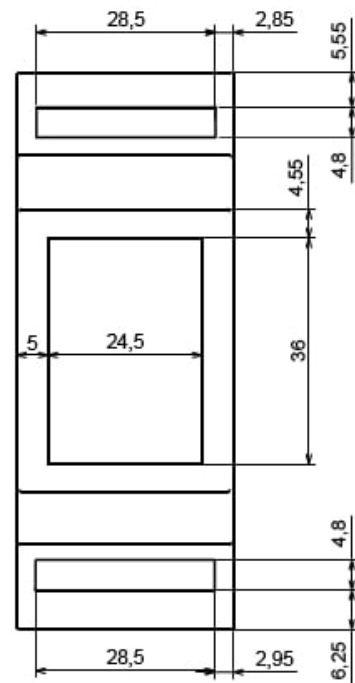
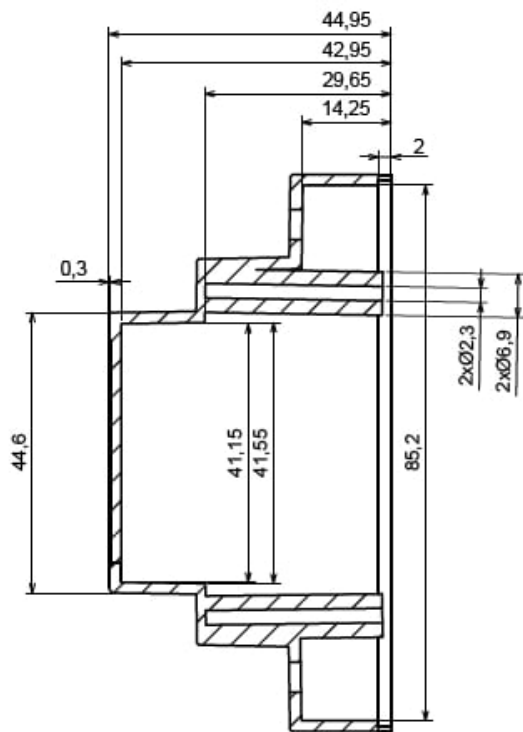
B-B



C |

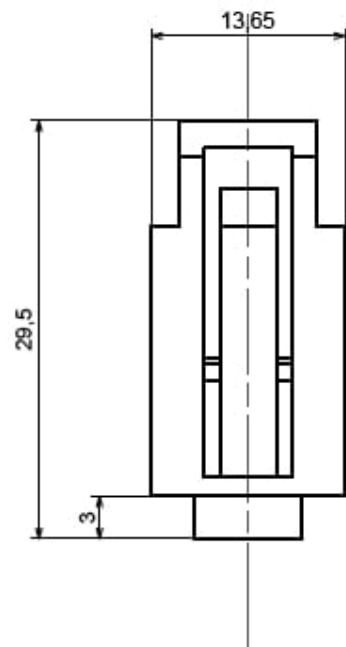


C-C



c |

D |



D |

D-D

