
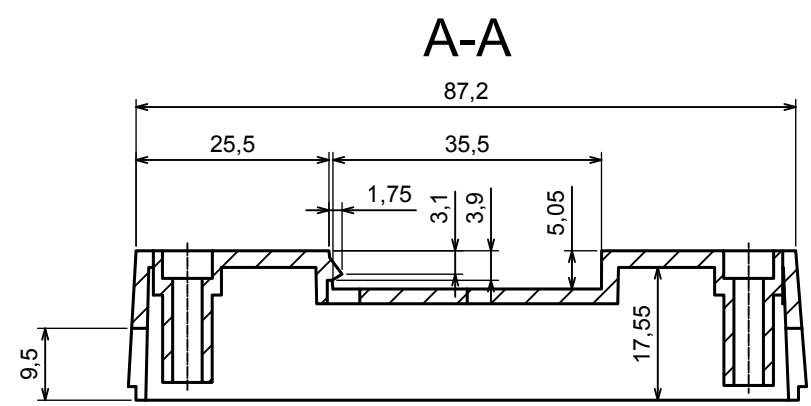
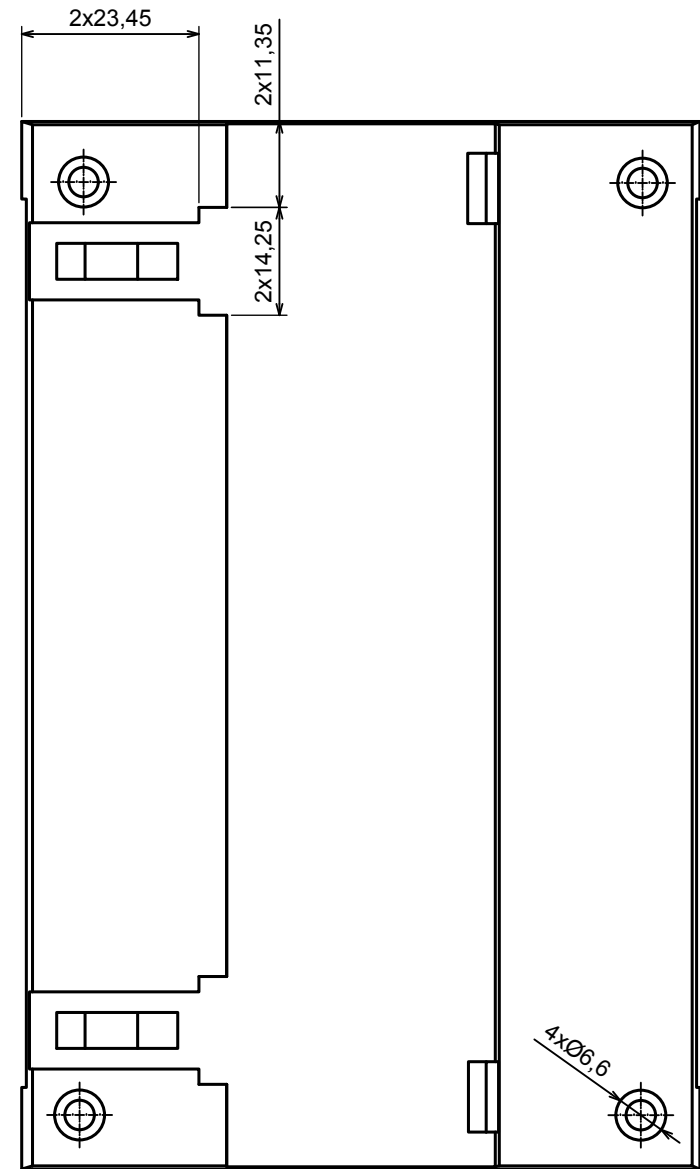
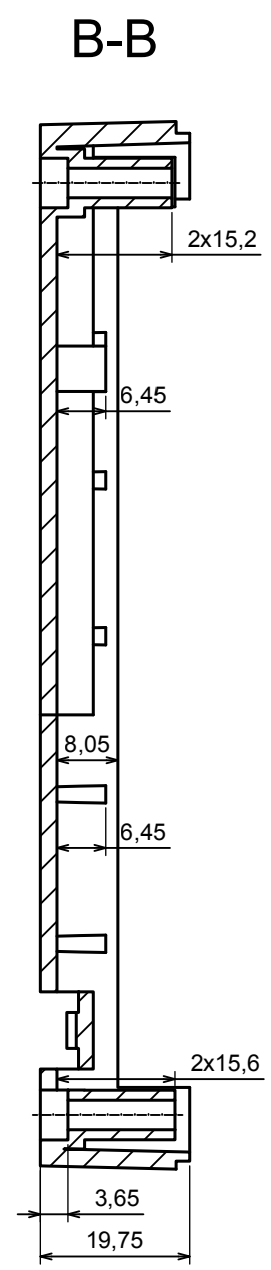
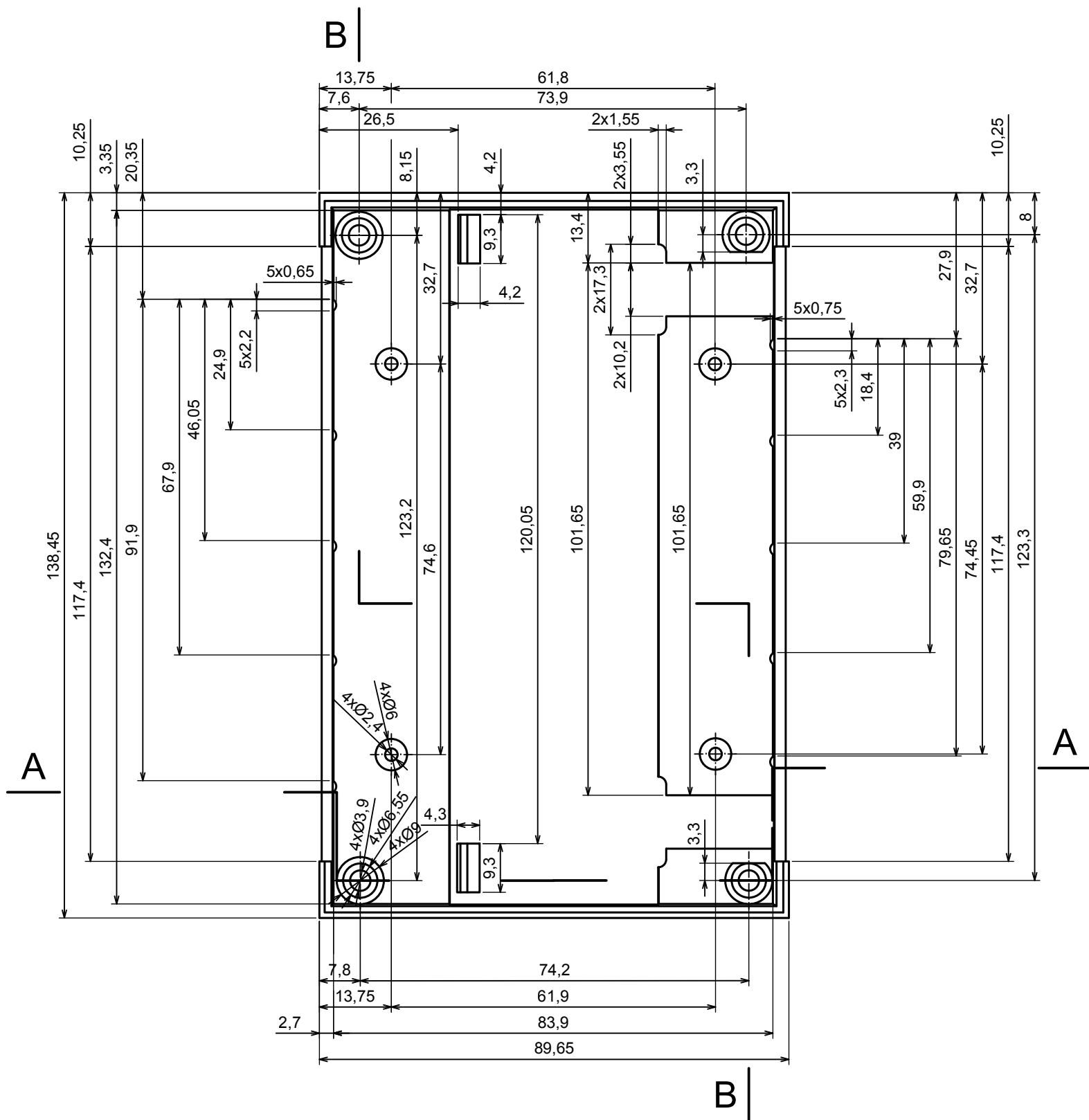
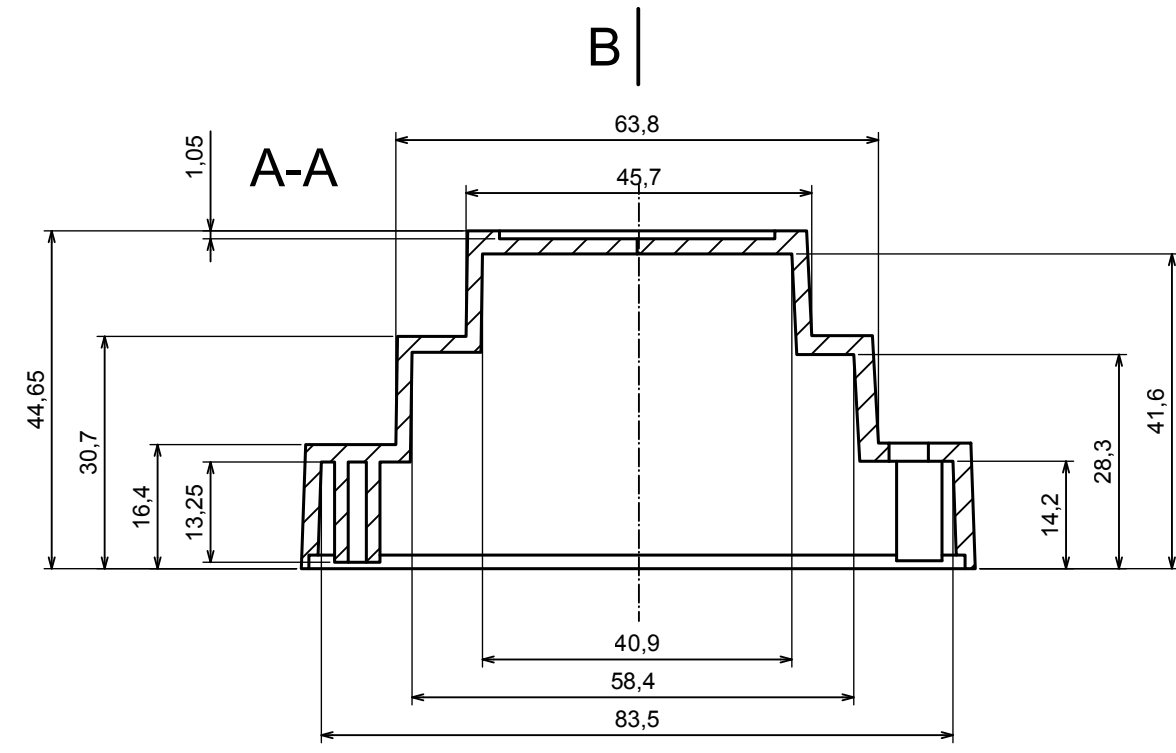
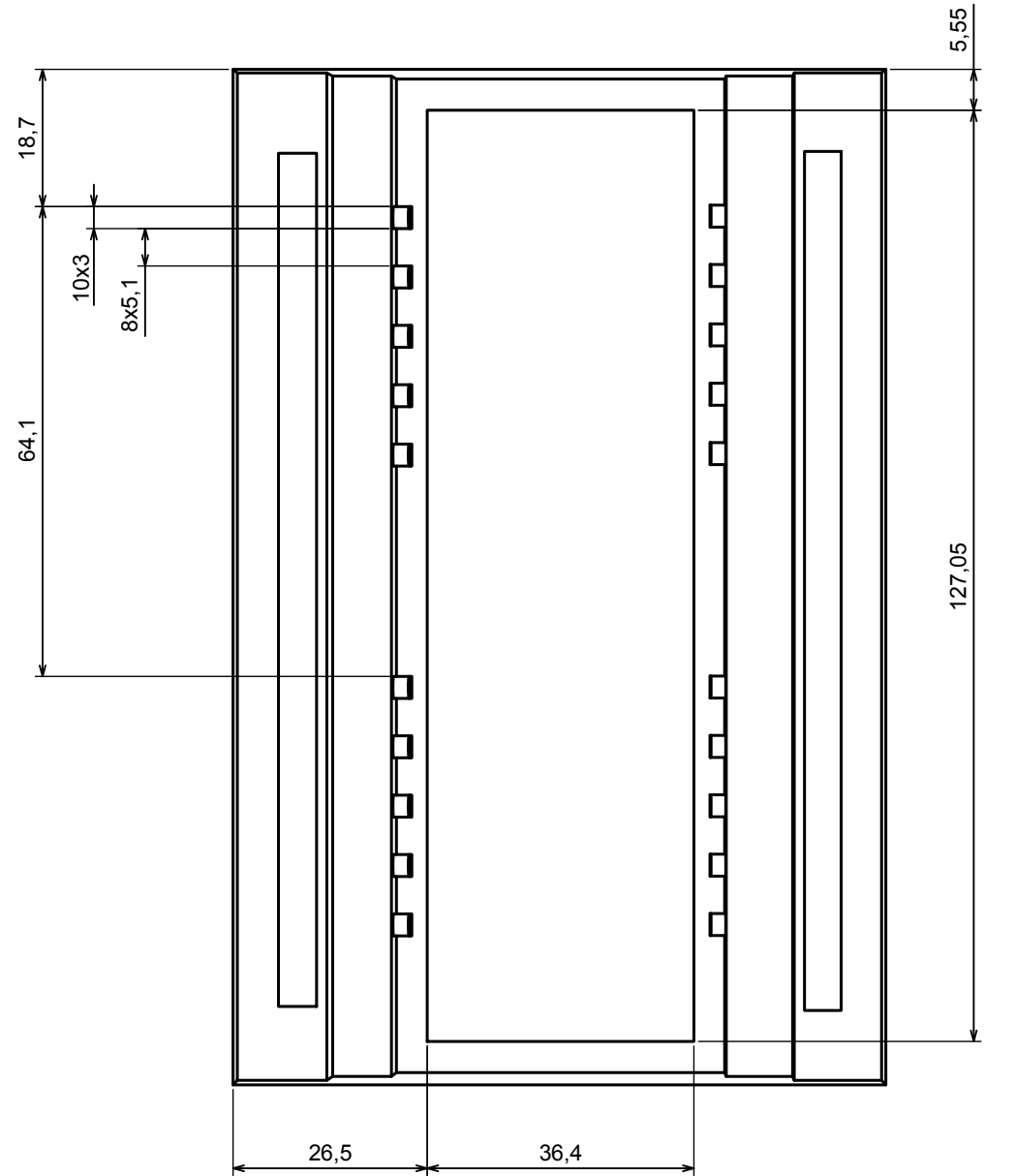
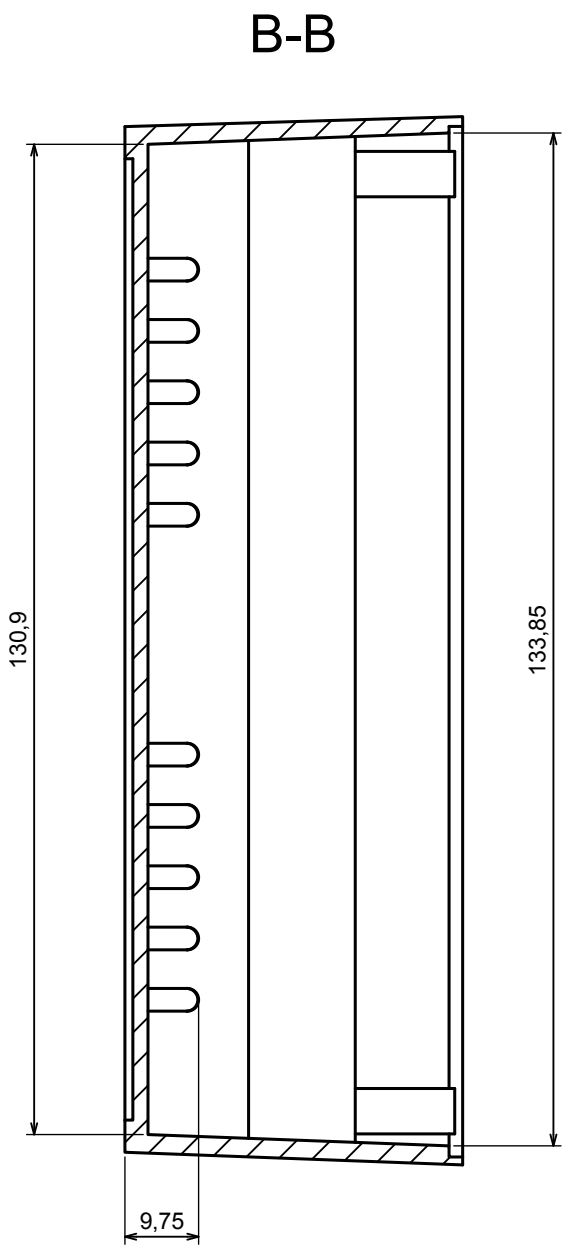
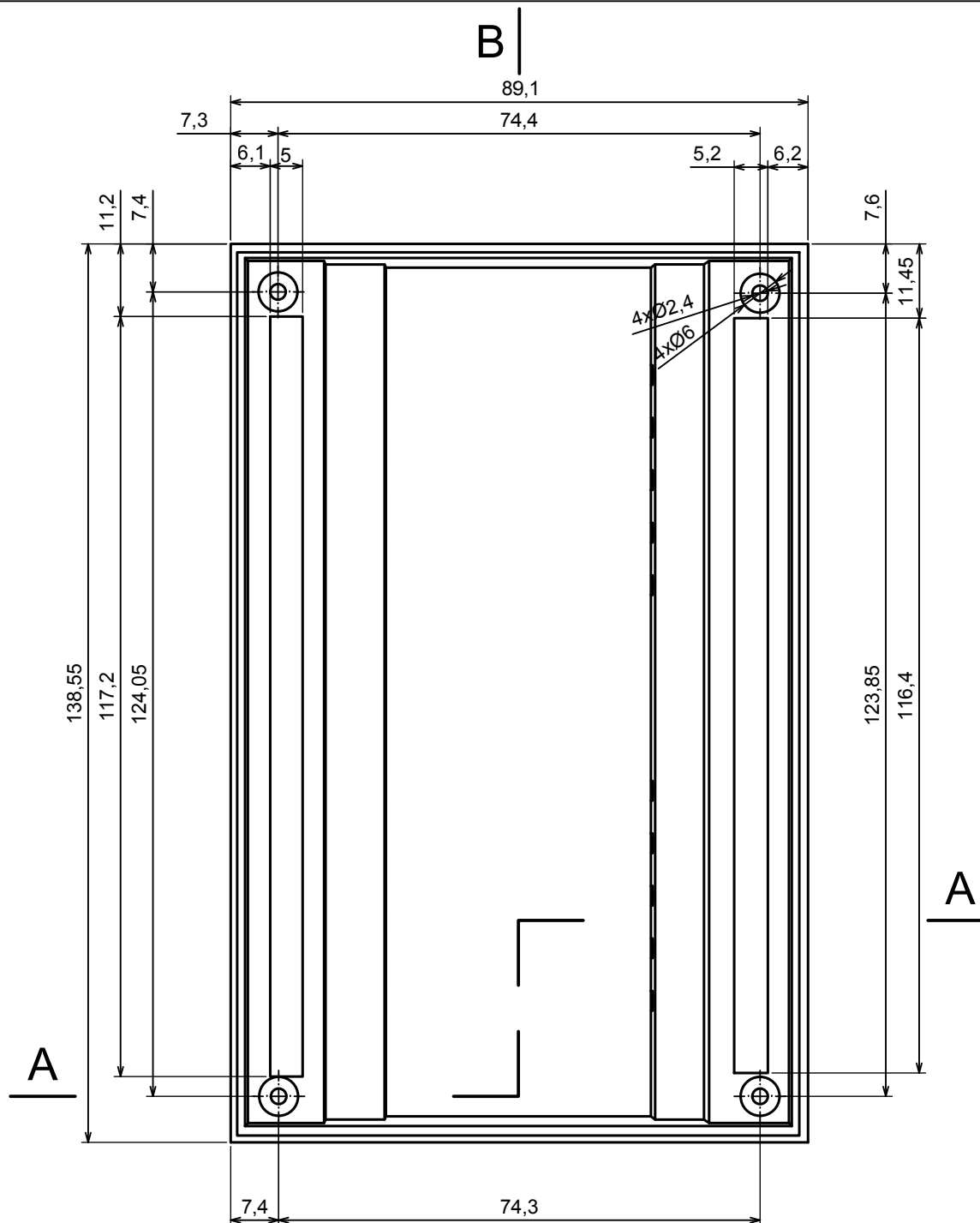


All rights reserved, Copyright Kradex 2016		
Product model	Enclosure Z104 - assembly	
Format: A3	Material: PS, ABS	
Scale 1:1	Tolerance: +/- 0.8	



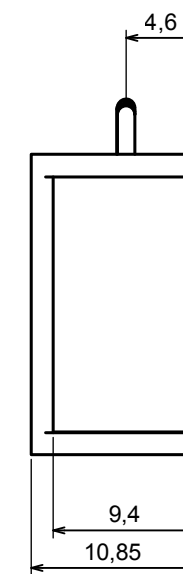
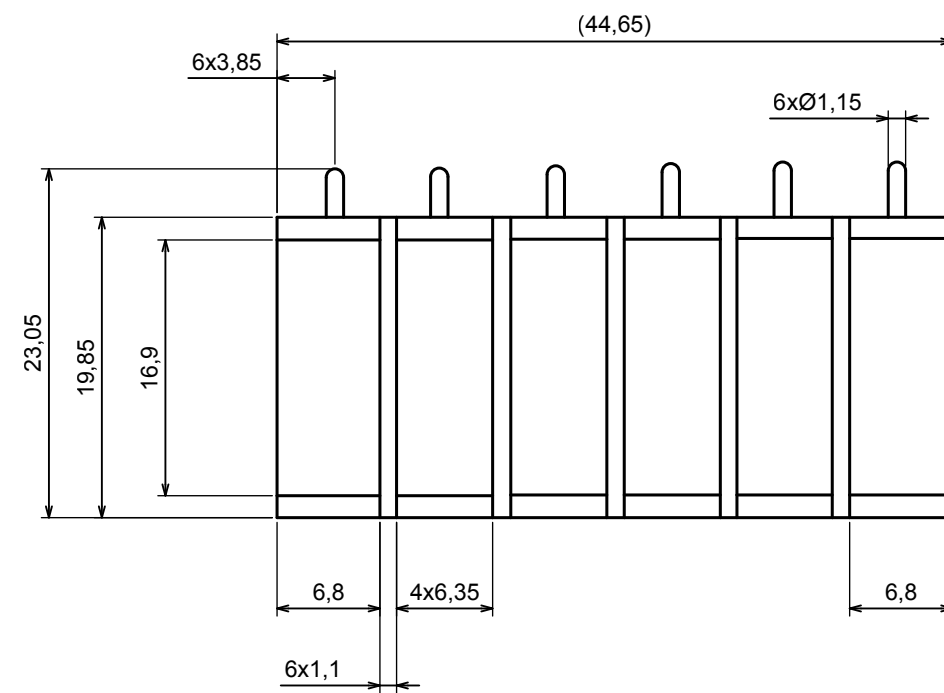
All rights reserved, Copyright Kradox 2016	
Product model	Enclosure Z104 - base
Format: A3	Material: PS, ABS
Scale 1:1	Tolerance: +/- 0.8





All rights reserved, Copyright Kradox 2016	
Product model	Enclosure Z104 - cover
Format: A3	Material: PS, ABS
Scale 1:1	Tolerance: +/- 0.8





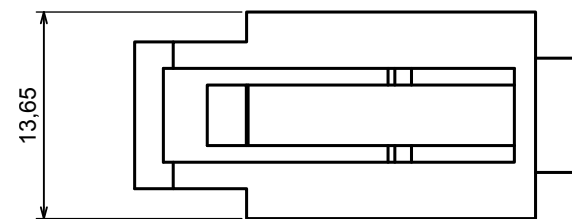
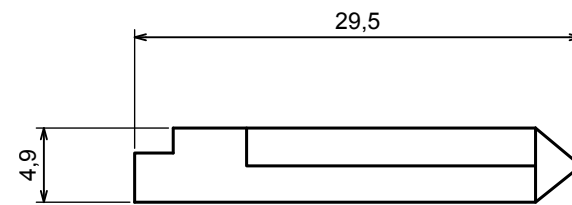
All rights reserved, Copyright Kradox 2016

Product model Enclosure Z104 - plug

Format: A3 Material: PS, ABS

Scale 2:1 Tolerance: +/- 0.8





All rights reserved, Copyright Kradex 2016

Product model Enclosure Z104 - hook

Format: A3 Material: PS, ABS

Scale 2:1 Tolerance: +/- 0.5

