

Pincer profile
A- 7133600

Pincer rail
A- 7133590

Tesnit gasket
2 mm

Tempered
safety glass 10 mm

Adjusting sheet
A- 7135620

27

55

1

Tesnit gasket
1 mm

Tempered
safety glass 12 mm

Adjusting sheet
 Clamping nut
 Suspension nut

1 Blank:

Pincer profile width of glass - 4mm

Pincer rail width of glass - 6mm

3

3

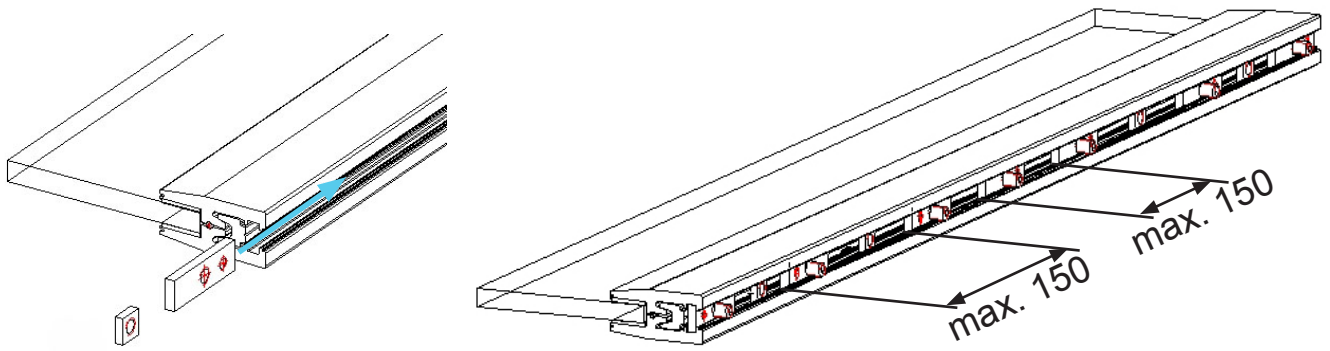
2

2

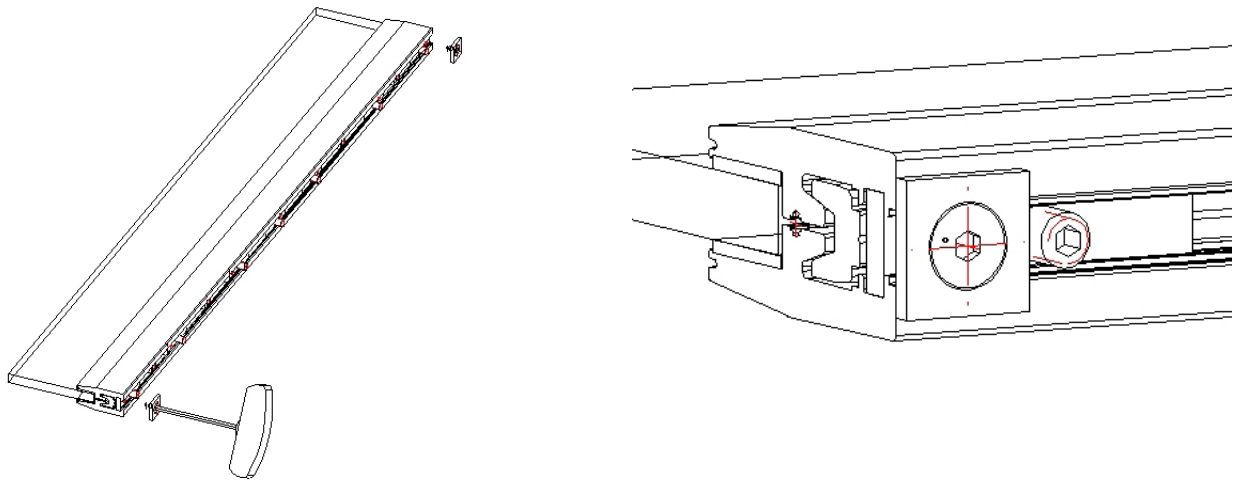
2

- Clean the pressing surface with residual free cleaner as e.g. acetone or spirit.
- Glue on the Tesnit gasket.
- Clean the Tesnit gasket surface with residual free cleaner as e.g. acetone or spirit.
- With the second piece of the profile proceed in the exact same manner.
- Clean the surface of the glass on both sides with residual free cleaner as e.g. acetone or spirit.
- Slide the pincer rail.

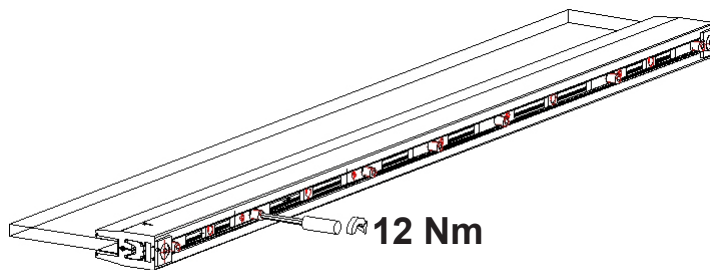
3



4



5



6

