

KM-48 SERIES PARTS LIST

NO.	UNIT	NO.	UNIT
P01	SLIDE	F401	VALVE SPRING O-RING
P02	FRAME	F408	FIRING PIN AXIS
P04	SLIDE STOP	F804	TRIGGER BAR
P17	SAFETY R	F805	TRIGGER PIN
P19	GRIP PLUG	F806	CHASSIS PIN
P27	OUTER BARREL CAP		
P29	SLIDE REAR CAP	S402	FIRING PIN BUFFER SPRING
P31	VALVE PACKING	S404	VALVE SPRING O-RING
P60	MAGAZINE BOTTOM CAP	S471	MAGAZINE SPRING
P804	MAGAZINE FOLLOWER	S613	MAGAZINE CATCH SPRING
P805	SLIDE CATCH	S801	TRIGGER BAR SPRING
P807	MAGAZINE CATCH	SM03	FIRING PIN SPRING
P811	CHASSIS L	SM06	TRIGGER SPRING
P812	CHASSIS R	S807	GUIDE SPRING
P818	MAGAZINE BASE JOINT	SM04	TRIGGER CONNECTOR SPRING
Z01	SLIDE	E02	CHASSIS SCREW
Z468	TRIGGER CONNECTOR	E03	SCREW
Z802	FIRING PIN	E04	E BUCKLE
Z803	TRIGGER	E05	PIN
Z808	MAGAZINE	E06	PIN
B02	BARREL	R01	RUBBER CHAMBER
B15	VALVE	R02	O-RING
B19	VALVE CAP	R04	O-RING
B30	CARTRIDGE VALVE	R05	O-RING
B215	CARTRIDGE VALVE PACKING	R07	O-RING
B404	FIRING PIN SLEEVE	R08	O-RING
B801	TRIGGER SLEEVE		
		U02	WRENCH

KM-48 系列 零件表

圖號	零件名稱	圖號	零件名稱
P01	上蓋	F401	心棒壓簧墊圈
P02	本體	F408	撞針軸
P04	上蓋止動片	F804	扳機連桿
P17	右保險	F805	扳機軸
P19	握柄配件	F806	擊鐵箱軸
P27	槍管套		
P29	上蓋後罩	S402	撞針緩衝扭簧
P31	心棒蓋迫緊	S404	心棒壓簧
P60	彈匣底內件	S471	彈匣壓簧
P804	彈匣滑粒	S613	彈匣卡筍線簧
P805	導管卡筍	S801	扳機連桿拉簧
P807	彈匣卡筍	SM03	撞針扭簧
P811	擊鐵箱左	SM06	扳機扭簧
P812	擊鐵箱右	S807	導桿壓簧
P818	底座定位件	SM04	扳機連動件扭簧
Z01	上蓋	E02	擊鐵箱螺絲
Z468	扳機連動件	E03	螺絲
Z802	撞針	E04	E型扣環
Z803	扳機	E05	彈簧梢
Z808	彈匣	E06	彈簧梢
B02	槍管	R01	子彈迫緊
B15	心棒	R02	O型環
B19	心棒蓋	R04	O型環
B30	氣瓶頂針	R05	O型環
B215	氣瓶頂針迫緊	R07	O型環
B404	撞針軸套	R08	O型環
B801	扳機軸套		
		U02	六角扳手

MODEL KM-48 系說明書 MODEL KM-48 INSTRUCTION MANUAL



- ★ CO2直壓無BLOW BACK FIXED SLIDE CO2
- ★ 裝彈數(單排彈 19發)
CAPACITY 19 BB (SINGLE COLUMN)
- ★ 彈速: 120 m/s (0.35g B. B彈)
SPEED = 120 m/s (0.35g BB)
- ★ 有保險功能
SAFETY FUNCTION

KWC® 建瑋玩具工業股份有限公司
KIEN WILL TOY INDUSTRIAL CO., LTD.

地址: 台南市自由路2段209巷5號
ADD: NO.5,LANE 209,SECTION 2,ZIH YOU RD.,TAINAN,TAIWAN
TEL: 06-2691815-7
FAX: 06-2698364
e-mail: sales@kwgun.com
WEBSITE: www.kwgun.com

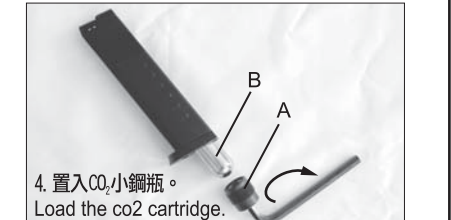
K08-00673-1

射擊/SHOOTING

射擊前的準備 BEFORE SHOOTING



3. 使用六角扳手反時針方向取出彈匣底內件。
Use hexagonal wrench to remove the magazine cap by counter clockwise.



4. 逆時針轉出彈匣底內件後，置入小鋼瓶B，再以順時針方向鎖緊彈匣底內件A。當刺破鋼瓶出氣時，請快速鎖緊。
Turn the magazine cap out counter-clockwise and place CO2 cartridge B inside the magazine. Rapidly turn the screw A clockwise when piercing the cartridge in the magazine.

5. 拉下滑粒。
Pull the magazine follower down.

6. 填裝BB彈
為了使擊發順暢，填裝方法是讓B. B彈在彈匣中一粒接著一粒。
For smooth shooting, Load BBs one by one.

7. 最多可裝19粒。
Maximum BB capacity is 19 rounds.

射擊 SHOOTING

1. 將裝好BB彈的彈匣插入槍身上推入，直到彈匣卡筍發出“卡嗒”為止。
Insert fully loaded magazine in the airsoft until you hear the sound of "CLICK".



2. 瞄準目標物扣扳機，即可擊發。
Aim the target and pull the trigger.



▲注意: 在長期不使用的狀態下，請將彈匣內的氣體洩放掉。
▲CAUTION: Release all of the gas in the magazine when it is unused in long-term period.

安全裝置 SAFETY



故障/BREAK DOWN

關於本商品 ABOUT

§ 上蓋無滑動功能。
§ There is no Blowback function.

§ B. B彈擊發完後，亦無滑套止動功能。
§ There is no Hold Open function.

§ B. B彈擊發完後，便是空發扣引。
§ If the BB runs out, this pistol could still dry firing.

故障的原因與排除 BREAK DOWN FAQ

1. 不良的B. B彈是造成卡彈的原因，請使用品質優良的KWC B. B彈。
Bad quality BB is the main reason to cause BB jam. Please use the best quality KWC BB to avoid jamming problem.

2. 當卡彈時，請儘可能先取出彈匣，再以不傷槍管的軟質細棒(不可大於4.4mm直徑)，從槍口置入清除。
When BB jammed, first please release the magazine from pistol then use a soft stick (diameter no bigger than 4.4mm) to clear up the barrel.

3. 當扣引扳機時，此時B. B彈即同時在上膛階段，不可扣引一半時又回復，因為如此的動作，將有可能上膛兩發B. B彈。
Pulling trigger will load BB in the barrel. Therefore, please do not pull the trigger half way and release the trigger. This action could load 2 BBs in the pistol and cause jamming.

4. 使用一段時間後，請再次用中性矽油潤滑撞針及扳機軸心。
Please spray the lubricant into firing pin and trigger pin.

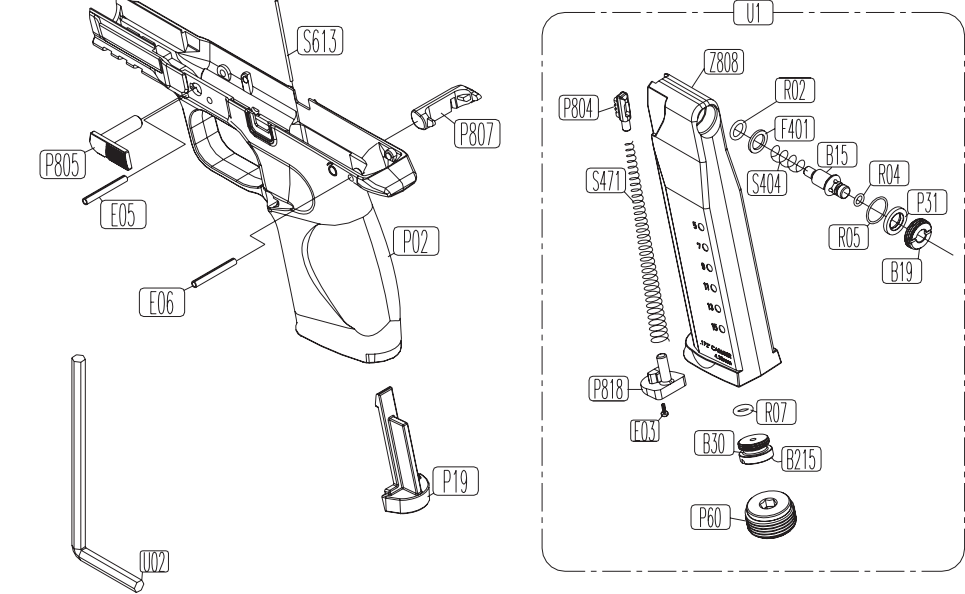
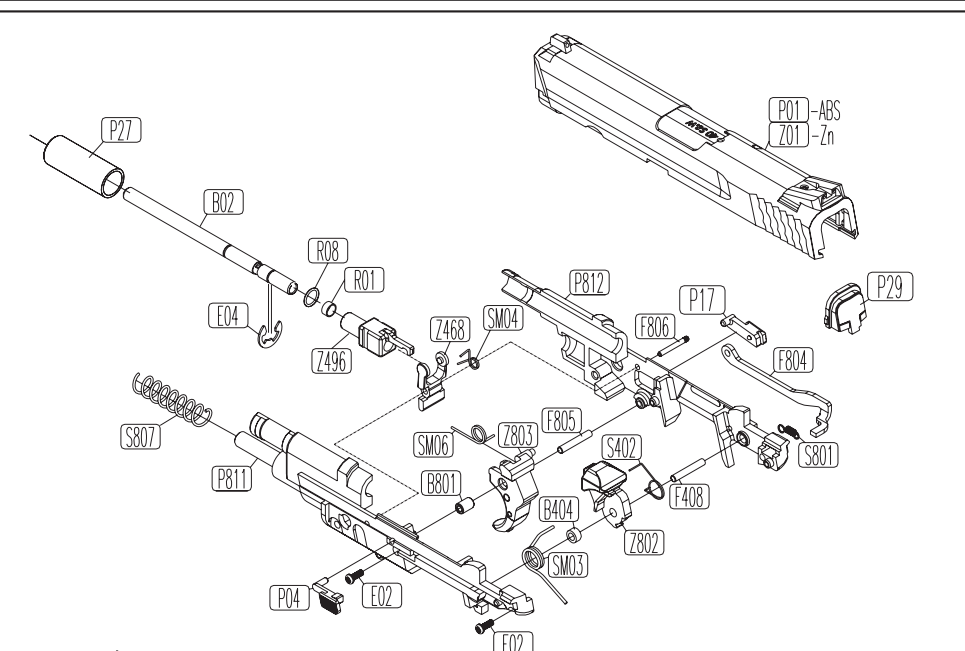
⚠WARNING 請務必嚴格遵守 使用說明指導書 READ THIS OWNER'S MANUAL COMPLETELY.

This airgun is intended for recreational or training purposes. To prevent improper handling, modification or alteration causing malfunction or accident, please read the owner's manual carefully. Enjoy the pleasant shooting experience by proper operation.

1. Do not put your finger on the trigger except shooting.
2. Please always keep the airgun on safe and unloaded when not using.
3. Like all mechanical devices, an airgun safety can fail. Always handle the airgun safely even when the safety is "on safe". Never point the airgun at any people.
4. Keep the airgun out of reach for small children.
5. Your backstop should be inspected for wear before and after each use. Discontinue use of the backstop surface shows signs of failure.
6. Only use high quality 4.5mm steel BBs. Never use ① BB diameter larger than 4.4 mm ② BB with unsmoothed surface ③ reused BB that has been fired ④ incorrect projectiles not design for this airgun
7. Do not expose CO2 cartridges to heat or store them at temperatures above 50 C(122 F). CO2 cartridges may over heat or explode at temperatures above 50 C(122 F).

★ 使用玩具槍前，請務必詳細閱讀說明書內容。
★ Always wear eye protection when using airgun.
★ 不可攜帶玩具槍在公共場所行走，請務必裝在袋子或盒子內。
★ Always transport an airgun in a locked carrying case. Make sure it is unloaded and on safe.
★ 請不要在公共場合使用玩具槍，也請不要拿玩具槍對人或動物。
★ Never brandish or aiming this airgun at any people or domestic animals. Brandish this airgun in public is dangerous and may be a crime.
★ 請確認後再發射BB彈方向，附近無人或動物存在。
★ To avoid accidental discharge, do not look directly into the barrel.
★ 不可任意改造或加工玩具槍，私自改造加工會造成發射錯誤、保險失效，導致使用上不安全，甚至無法發射。
★ Disassemble, modify, or alter of your airgun may cause malfunction, void your warranty and may make it unsafe to use.

KM-48 系列 零件分解圖 KM-48 SERIES EXPLORED VIEW



※零件有時為了改良而不經預告變更。
※ SPARE PARTS WILL BE MODIFIED BECAUSE OF IMPROVEMENT. AND THESE MODIFICATIONS WONT HAVE NOTICE.

Do not display this pistol in public—it may confuse people and may be a crime. 請不要忘了，雖然自己知道這只是玩具，但不知道的人，會以為這是真槍。