

射擊/SHOOTING

射擊前的準備 BEFORE SHOOTING

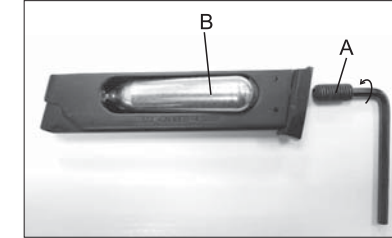


1. 按下卡榫
Press the button.
2. 取出彈匣
Release the magazine.

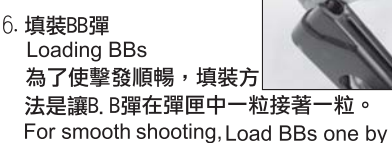
3. 使用六角扳手反時針方向取出彈匣底內件。
Use hexagonal wrench to remove the magazine cap by counter clockwise.



4. 逆時針轉出彈匣底內件後，置入小鋼瓶B，再以順時針方向鎖緊彈匣底內件A。當刺破鋼瓶出氣時，請快速鎖緊。
Turn the magazine cap a out counter-clockwise and place CO2 cartridge B inside the magazine. Rapidly turn the screw A clockwise when piercing the cartridge in the magazine.



5. 拉下滑粒。
Pull the magazine follower down.



6. 填裝BB彈
Loading BBs
為了使擊發順暢，填裝方法是讓B、B彈在彈匣中一粒接著一粒。
For smooth shooting, Load BBs one by one.

7. 最多可裝20粒。
Maximum BB capacity is 20 rounds.

射擊 SHOOTING

1. 將裝好BB彈的彈匣插入槍身往上推入，直到彈匣卡榫發出“卡嗶”為止。
Insert fully loaded magazine in the airgun until you hear the sound of “CLICK”.



2. 瞄準目標物扣引扳機，即可擊發。
Aim the target and pull the trigger.



▲注意：在長期不使用的狀態下，請將彈匣內的氣體洩放掉。

▲CAUTION : Release all of the gas in the magazine when it is unused in long-term period.

安全裝置 SAFETY

可射擊
SAFETY OFF



保險
SAFETY ON



故障/BREAK DOWN

關於本商品 ABOUT

- § 上蓋無滑動功能。
§ There is no Blowback function.
- § B、B彈擊發完後，亦無滑套止動功能。
§ There is no Hold Open function.
- § B、B彈擊發完後，便是空發扣引。
§ If the BB runs out, this pistol could still dry fire.
- § 擊鐵可獨立滑動旋轉，但無撞擊功能。
§ Un-functional Hammer.

故障的原因與排除 BREAK DOWN FAQ

1. 不良的B、B彈是造成卡彈的原因，請使用品質優良的KWC B、B彈。
Bad quality BB is the main reason to cause BB jam. Please use the best quality KWC BB to avoid jamming problem.

2. 當卡彈時，請儘可能先取出彈匣，再不以傷槍管的軟質細棒（不可大於4.4mm直徑），從槍口置入清除。
When BB jammed, first please release the magazine from pistol then use a soft stick (diameter no bigger than 4.4mm) to clear up the barrel.
3. 當扣引扳機時，此時B、B彈即同時在上膛階段，不可扣引一半時又回復，因為如此的動作，將有可能上膛兩發B、B彈。
Pulling trigger will load BB in the barrel. Therefore, please do not pull the trigger half way and release the trigger. This action could load 2 BBs in the pistol and cause jamming.
4. 使用一段時間後，請再次用中性砂油脂潤滑撞針及扳機軸心。
Please spray the lubricant into firing pin and trigger pin.



WARNING 請務必嚴格遵守 使用說明指導書 READ THIS OWNER'S MANUAL COMPLETELY.

This airgun is intended for recreational or training purposes. To prevent improper handling, modification or alteration causing malfunction or accident, please read the owner's manual carefully. Enjoy the pleasant shooting experience by proper operation.

1. Do not put your finger on the trigger except shooting.
2. Please always keep the airgun on safe and unloaded when not using.
3. Like all mechanical devices, an airgun safety can fail. Always handle the airgun safely even when the safety is "on safe". Never point the airgun at any people.
4. Keep the airgun out of reach for small children.
5. Your backstop should be inspected for wear before and after each use. Discontinue use of the backstop surface shows signs of failure.
6. Only use high quality 4.5mm steel BBs. Never use ① BB diameter larger than 4.4 mm ② BB with unsmoothed surface ③ reused BB that has been fired ④ incorrect projectiles not design for this airgun
7. Do not expose CO2 cartridges to heat or store them at temperatures above 50 C (122 F). CO2 cartridges may over heat or explode at temperatures above 50 C (122 F).
8. Please avoid dry firing, for it could cause parts deformed or damage.

★ 使用玩具槍前，請務必戴上保護眼鏡或面罩。
★ Wear protective eye wear & face mask when using airguns.

★ 不可攜帶玩具槍在公共場所行走，請務必裝在袋子或盒子內。
★ always transport an airsoft gun inside a locked carrying case.
★ make sure it's unloaded, never carrying your airsoft gun in an open container, or as a concealed weapon, or brandish an airsoft gun in public.

★ 使用玩具槍前，請務必詳讀說明書內容。
★ read and understand the operating and safety manual using your airsoft airguns.

★ 請不要由槍口方向彈殼。
★ do not directly into the barrel to avoid accidental discharge of bb.

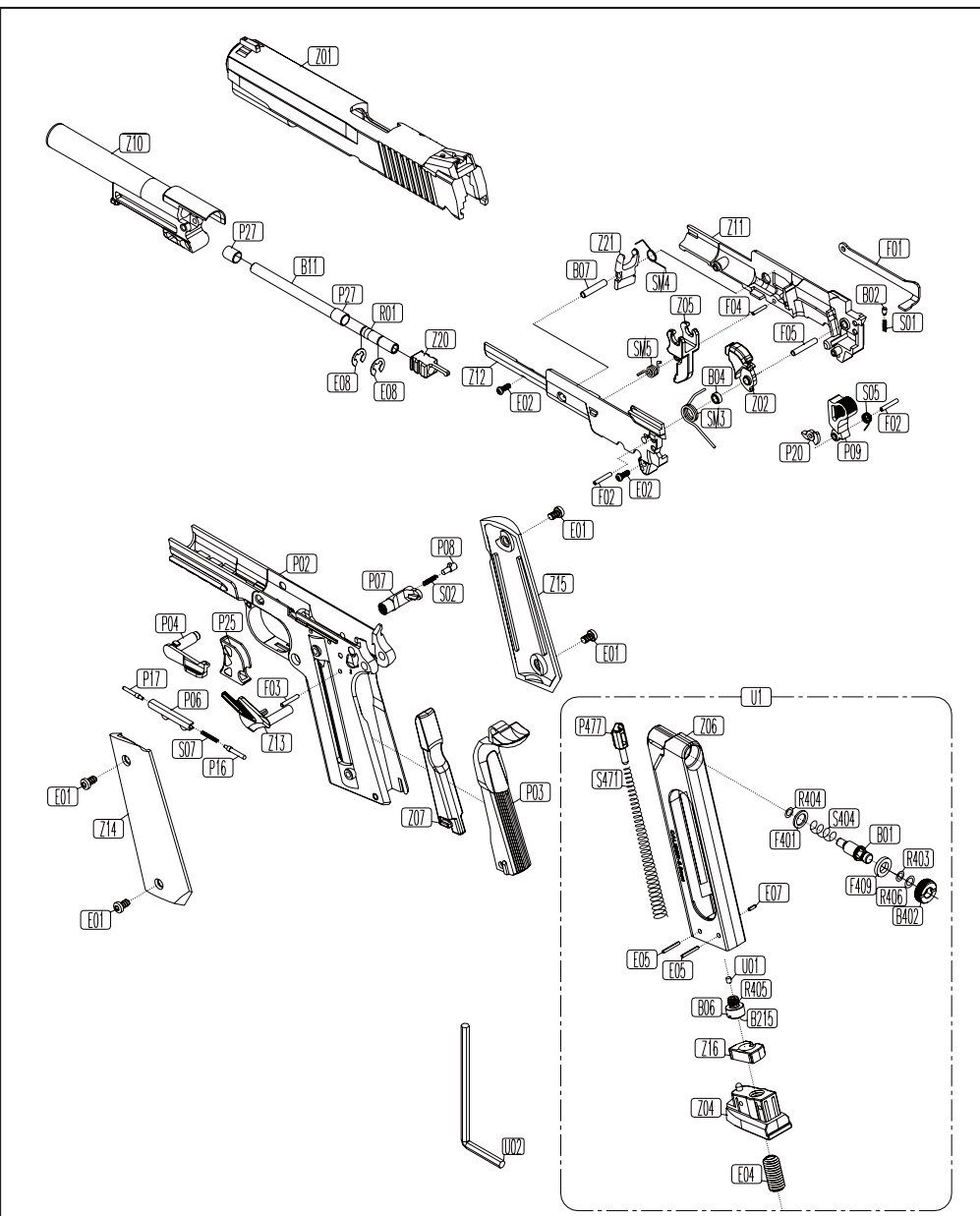
★ 請不要在公開場合使用玩具槍，也請不要舉玩具槍對準人或動物。
★ riever brandish of fire airsoft airguns at animal or people beyond a certified and regulated airsoft sport arena. brandishing a gun in public is against the law, serious consequences could arise.

★ 請確認後再發射彈丸方向，附近無人或動物存在。
★ be aware of you surroundings to avoid accidents.

★ 不可任意將玩具槍進行改造或加工。
★ do not disassemble or modify your airsoft airguns, doing so will void warranty service (or authorized centers only, removal of the orange safety barrel marking is a federal offense).

Do not display this pistol in public—it may confuse people and may be a crime. 請不要忘了，雖然自己知道這只是玩具，但不知道的人，會以為這是真槍。

KM-42 SERIES EXPLORED VIEW



※零件有時為了改良而不經預告變更。
※ SPARE PARTS WILL BE MODIFIED BECAUSE OF IMPROVEMENT. AND THESE MODIFICATIONS WON'T HAVE NOTICE. K08-00645-N 2015/02/01

KM-42 SERIES PARTS LIST

N O.	UNIT	N O.	UNIT
P02	FRAME	B01	VALVE
P03	REAR GRIP	B02	TRIGGER BAR SPRING PLUNGER
P04	SLIDE STOP	B04	FIRING PIN SLEEVE
P06	PLUNGER GUIDE	B06	CARTRIDGE STAB NEEDLE
P07	MAGAZINE CATCH	B07	TRIGGER TOW PIN
P08	MAGAZINE CATCH LOCK	B11	BARREL
P09	HAMMER	B215	CARTRIDGE STAB NEEDLE PACKING
P16	SAFETY PLUNGER	B402	VALVE CAP
P17	SLIDE STOP PLUNGER		
P20	SAFETY DISCHARGE NOSE	S01	TRIGGER BAR SPRING
P25	TRIGGER	S02	MAGAZINE CATCH SPRING
P27	INNER BARREL GUIDE	S05	HAMMER SPRING
P477	MAGAZINE FOLLOWER	S07	PLUNGER GUIDE SPRING
		S471	MAGAZINE SPRING
Z01	SLIDE	S404	VALAVE SPRING
Z02	FIRING PIN	SM3	FIRING PIN SPRING
Z04	MAGAZINE BASE	SM4	TRIGGER TOW SPRING
Z05	TRIGGER JOINT	SM5	TRIGGER SPRING
Z06	MAGAZINE CASE		
Z07	REAR GRIP WEIGHT	E01	GRIP SCREW
Z10	OUTER BARREL	E02	HAMMER CASE SCREW
Z11	CHASSIS RIGHT	E04	PIN
Z12	CHASSIS LEFT	E05	PIN
Z13	SAFETY LEFT	E07	MAGAZINE BASE SCREWPIN
Z14	GRIP LEFT	E08	E BUCKLE
Z15	GRIP RIGHT		
Z16	CARTRIDGE BASE	R01	RUBBER CHAMBER(BAX)
Z20	BARREL TOW	R403	O-RING
Z21	TRIGGER TOW	R404	O-RING
		R405	O-RING
		R406	O-RING
F01	TRIGGER BAR		
F02	HAMMER CASE PIN	U01	BRONZE FILTER
F03	FRAME PIN	U02	HEXAGONAL WRENCH
F04	TRIGGER PIN		
F05	FIRING PIN		
F401	VALVE SPRING GASKET	U1	MAGAZINE SET
F409	VALVE GASKET		

KM-42 系列 零件表

編號	零件名稱	編號	零件名稱
P02	槍身本体	B01	槍管(含P05)
P03	握柄	B02	扳機連桿壓簧軸
P04	上蓋止動片	B04	撞針軸套
P06	保險卡筭導件	B06	氣瓶頂針
P07	彈匣卡筭	B401	心棒
P08	彈匣卡筭配件	B402	心棒蓋
P09	擊鐵	B403	進彈桿
P16	保險定位軸	B215	氣瓶頂針迫緊
P17	上蓋止動片軸		
P20	保險釋放件	S01	扳機連桿壓簧
P25	扳機	S02	彈匣卡筭壓簧
P27	內槍管導引件	S05	擊鐵扭簧
P477	彈匣滑粒	S07	保險定位軸壓簧
		S471	彈匣壓簧
Z01	槍身上蓋	S404	心棒壓簧
Z02	撞針	SM3	撞針扭簧
Z04	彈匣底座	SM4	扳機連動件扭簧
Z05	扳機配件	SM5	扳機配件扭簧
Z06	彈匣		
Z07	握柄配重	E01	槍柄螺絲
Z10	槍管導管	E02	擊鐵箱螺絲
Z11	擊鐵箱右	E04	鋼瓶座螺絲
Z12	擊鐵箱左	E05	彈簧梢
Z13	保險左	E07	彈簧梢
Z14	槍柄左	E08	E型扣環
Z15	槍柄右		
Z16	氣瓶底座	R01	子彈迫緊(BAX)
Z20	槍管連動件	R403	O型環
Z21	扳機連動件	R404	O型環
		R405	O型環
		R406	O型環
F01	扳機連桿		
F02	軸(擊鐵、擊鐵箱)	U01	銅濾心
F03	軸(本體)	U02	六角扳手
F04	軸(扳機)		
F05	撞針軸		
F401	心棒壓簧墊圈	U1	彈匣組件
F409	心棒蓋迫緊		

MODEL KM-42 系說明書 MODEL KM-42 INSTRUCTION MANUAL



- ★ 裝彈數：20發
20load
- ★ CO2直壓無BLOW BACK
FIXED SLIDE CO2
- ★ 重量：1.37 kg
WEIGHT = 1037 GRAM
- ★ 彈速：120 m/s (395FPS)
SPEED = 120 m/s (395FPS)
- ★ 有保險功能
SAFETY FUNCTION
- ★ 4.5mm BB彈
4.5mm BBs

KWC 建瑋玩具工業股份有限公司
KIEN WILL TOY INDUSTRIAL CO., LTD.
地址：台南市自由路2段209巷5號
ADD : NO.5,LANE 209,SECTION 2,ZIH YOU RD.,TAINAN,TAIWAN
TEL : 06-2691815-7
FAX : 06-2698364
e-mail : safes@kwgun.com
WEBSITE : www.kwgun.com