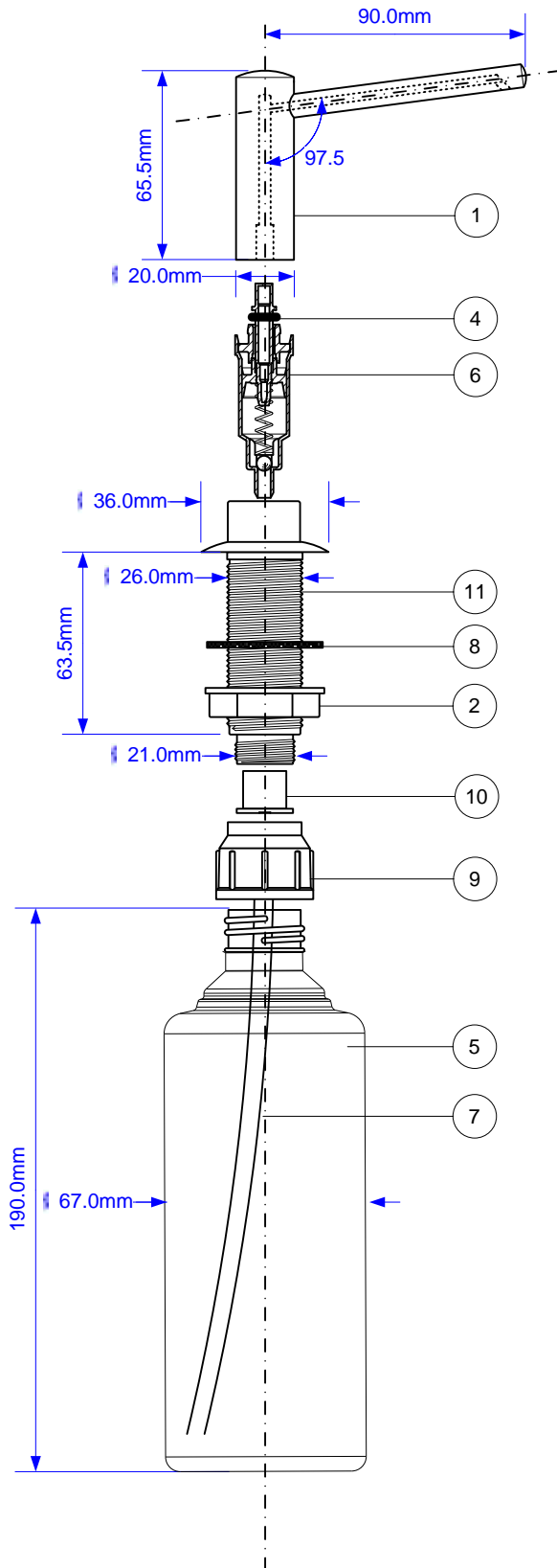


Code:

HC20-SN



Maximum Clamping
Dimension = 50mm

Part No.	Code	Material
1	NOZZLE-MAC-SN	SN Plated Brass
2	NUT-.75-GR	Polypropylene
3	P-C-SOAP	Carton
4	P-OR-006.00-2.50	Nitrile
5	P-SOAPBOTTLE-U	Polyethylene
6	P-SOAPPUMP	Polyethylene, Stainless Steel, Nitrile
7	P-SOAPTUBE-230	Polyethylene
8	P-SP-TAPHOLE40	Polyethylene
9	SOAP-NUT-GR	Polypropylene
10	SOAP-SPACER	Polyethylene
11	SOAPUBDY-SN	SN Plated Brass

(C)

McALPINE
04/11/2013

Drawing verified
correct as of:

24/04/2013
RM

DRAWN BY

RM

REVISED

DL 04/11/2013

FILENAME

HC20-SN.VSD

SCALE

1: 2.5

DATE

04/11/2013