

# 射擊/SHOOTING

## 射擊前的準備 BEFORE SHOOTING



1. 按下卡榫  
PRESS THE BUTTON  
RELEASE THE MAGAZINE

2. 取出彈匣  
RELEASE THE MAGAZINE



3. 使用六角板手 (6mm或1/4") 反時針方向取出彈匣底內件。  
Use hexagonal wrench to open the magazine under cap up by counter clockwise.

4. 置入CO<sub>2</sub>小鋼瓶。  
Load the co2 cartridge.

5. 再以順時針方向鎖緊螺絲至CO<sub>2</sub>小鋼瓶被刺破入氣。  
Screw the bottom screw by clockwise until the magazine is charged by CO<sub>2</sub> cartridge completely.

6. 拉下滑粒。  
Pull the magazine follower down.

7. 逐一逐入4.38mm B.B彈 (可填裝20+1發)。  
Load the BB pellet by pellet.

## 射擊 SHOOTING

1. 將裝有CO<sub>2</sub>小鋼瓶和B.B彈的彈匣置入槍本體內 (有喀噠聲), 準備射擊。  
Ready to shoot after reloading the magazine with full of co2 cartridge and BB.



2. 瞄準目標物扣引扳機, 即可擊發。  
Aim the target and pull the trigger.



※注意: 在長期不使用的狀態下, 請將彈匣內的氣體洩掉。  
※CAUTION: Release all of the gas in the magazine when it is unused in long-term period.

## 安全裝置 SAFETY

可射擊 SAFETY OFF



保險 SAFETY ON



# 故障/BREAK DOWN

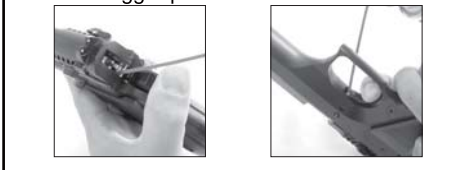
## 關於本商品 ABOUT

§ 上蓋無滑動功能, 射擊完後亦無止動功能。  
§ This model is with Fixed Slide. There is no Hold Open operation.  
§ 請使用4.38直徑之BB彈。  
§ Use 4.38mm BB pellet only.  
§ 擊鐵可獨立旋轉, 但無撞擊功能。  
§ Hammer is moveable but not functional.  
§ BB彈最多裝填數21發, 填裝22發可能無法扣引扳機。  
§ Do not load the BB over 21 pellets or it might occur unexpected error.  
§ 未插入彈匣時, 撞針沒有撞擊功能。  
§ Firing Pin won't work if you don't put the magazine in the gun.

## 故障的原因與排除 BREAK DOWN FAQ

1. 不良的B.B彈是造成卡彈的原因, 請使用品質優良的KWC 4.38mm B.B彈。  
Bad quality BB is the main reason to make BB jam. Please use the best quality 4.38mm BB, KWC BB.

2. 當卡彈時, 請儘可能先取出彈匣, 再不以傷槍管的軟質細棒 (不可大於4.38mm直徑), 從槍口置入清除。  
When you meet with BB jam, please release the magazine at first and use the soft stick (no bigger than 4.38mm) to clean the barrel out.  
3. 當扣引扳機時, 此時B.B彈即同時在上膛階段, 不可扣引一半時又回復, 因為如此的動作, 將有可能上膛兩發B.B彈。  
When you pull the trigger once, the BB will be in breech immediately. The breech will get stock with 2 BB when you pull the trigger uncompletely then pull it again.  
4. 使用一段時間後, 請再次用中性砂油脂潤滑撞針及扳機軸心。  
Please spray the lubricant into firing pin and trigger pin.



## WARNING 請務必嚴格遵守 使用說明指導書 READ THIS OWNER'S MANUAL COMPLETELY.

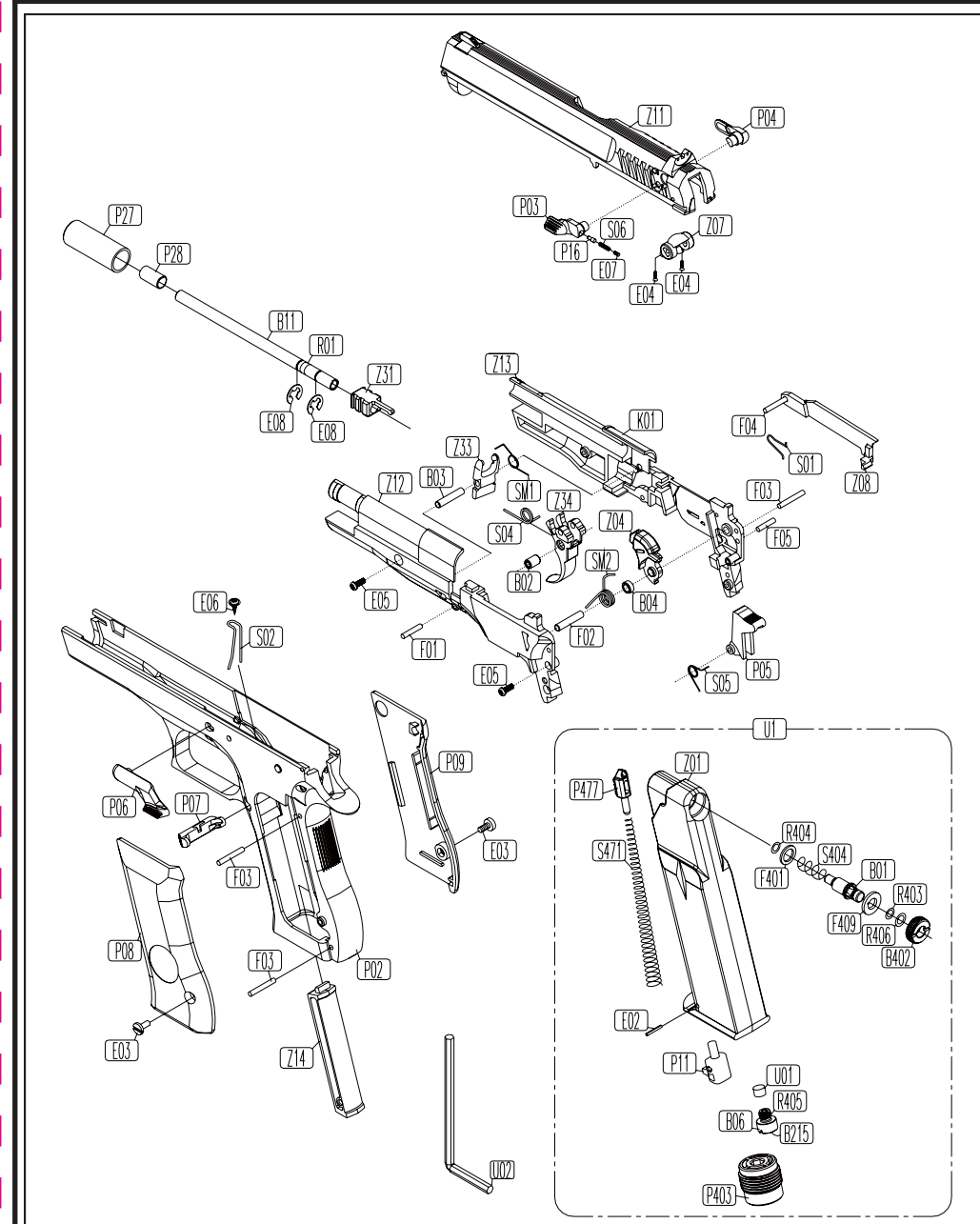
This Product Only Use For 14 Years Of Age Or Older. We Will Not Be Responsible For Any Accident Or Malfunction Caused By Improper Handling, Modification, Alteration Or Disassembling Of The Kwc Air/gas Hobby Pistol. You Could Enjoy The Shooting Exercise According To The Correct

- Never Brandish Or Fire This Gun At Ant People, Animal Public Or Private Property.
- Do Not Put Your Finger On The Trigger Except Shooting.
- Do Not Load Any Bbs Except Shooting.
- Always Be Aware Of Your Surrounding Before Shooting And Select A Safe Area For Target Practice.
- Keep Out Of Reach Of Small Children.
- Do Not Fire This Gun At A Fragile Object And Make Sure No Such Object Is Behind Your Target.
- Do Not Use Other Bb Than The Kwc's Bb Or Re-use It.
- Do Not Make Any Unauthorized Modification On This Gun Or Bb Bullet.
- Do Not Look Directly Into The Gun.
- Always Wear Eye Protection Or Goggle To Prevent Injuries When You Are Shooting.

★使用玩具槍前, 請務必戴上保護眼鏡或面罩。  
★Wear protective eye wear & face mask when using airguns.  
★使用玩具槍前, 請務必詳讀說明書內容。  
★Read and understand the operating and safety manual using your airsoft airguns.  
★請不要在公開場合使用玩具槍, 也不要拿玩具槍對準人或動物。  
★Never brandish of fire airsoft airguns at animal, or people beyond a certified and regulated airsoft sport arena. Brandishing a gun in public is against the law. serious consequences could arise.  
★請確認後再發射BB彈方向, 附近無人或動物存在。  
★Be aware of you surroundings to avoid accidents.  
★請不要由槍口向內探視。  
★do not directly into the barrel to avoid accidental discharge of bb.  
★不可攜帶玩具槍在公共場所行走, 請務必裝在袋子或盒子內。  
★always transport an airsoft airgun inside a locked carrying case.  
★Make sure it's unloaded, never carrying your airsoft sport gun in open view, as a concealed weapon, or brandish an airsoft airgun in public.  
★不可任意將玩具槍進行改造或加工。  
★do not disassemble or modify your airsoft airguns, doing so will void all warranty service by authorized centers only. removal of the orange safety barrel marking is a federal offense.

Do not display this pistol in public—it may confuse people and may be a crime. 請不要忘了, 雖然自己知道這只是玩具, 但不知道的人, 會以為這是真槍。

# KM-43 SERIES EXPLORED VIEW



※ SPARE PARTS WILL BE MODIFIED BECAUSE OF IMPROVEMENT. AND THESE MODIFICATIONS WONT HAVE NOTICE.

# KM-43 SERIES PARTS LIST

N O.	UNIT	N O.	UNIT
P02	FRAME	B01	VALVE
P03	SAFETY LEFT	B02	TRIGGER SLEEVE
P04	SAFETY RIGHT	B03	TRIGGER TOW PIN
P05	HAMMER	B04	FIRING PIN SLEEVE
P06	SLIDE STOP	B06	CARTRIDGE STAB NEEDLE
P07	PISTON CATCH	B11	BARREL
P08	GRIP LEFT	B215	CARTRIDGE STAB NEEDLE PACKING
P09	GRIP RIGHT	B402	VALVE CAP
P11	MAGAZINE BASEMENT JOINT		
P16	SAFETY PIN SLEEVE	S01	TRIGGER BAR SPRING
P27	OUTER BARREL CAP	S02	MAGAZINE CATCH SPRING
P28	INNER BARREL GUIDE	S04	TRIGGER SPRING
P403	MAGAZINE BOTTOM CAP	S05	HAMMER SPRING
P477	MAGAZINE FOLLOWER	S06	SAFETY PIN SPRING
		S404	VALAVE SPRING
		S471	MAGAZINE SPRING
Z01	MAGAZINE CASE	SM1	TRIGGER TOW SPRING
Z04	FIRING PIN	SM2	FIRING PIN SPRING
Z07	SAFETY CAM		
Z08	TRIGGER BAR		
Z11	SLIDE	E02	PIN
Z12	CHASSIS RIGHT	E03	⊕ SCREW
Z13	CHASSIS LEFT	E04	⊕ SCREW
Z14	GRIP WEIGHT	E05	⊕ SCREW
Z31	BARREL TOW	E06	⊕ SCREW
Z33	TRIGGER TOW	E07	SET SCREW
Z34	TRIGGER	E08	E BUCKLE
F01	PIN ( TRIGGER )	R01	RUBBER CHAMBER(BAX)
F02	PIN ( FIRING PIN )	R403	O-RING
F03	PIN ( FRAME )	R404	O-RING
F04	PIN ( TRIGGER BAR )	R405	O-RING
F05	PIN ( HAMMER )	R406	O-RING
F401	VALVE SPRING GASKET		
F409	VALVE GASKET	U01	BRONZE FILTER
		U02	HEXAGONAL WRENCH
K01	CHAMBER COVER STICKER	U1	MAGAZINE SET

# KM-43 系列 零件表

編號	零件名稱	編號	零件名稱
P02	槍身本體	B01	心棒
P03	保險左	B02	扳機軸套
P04	保險右	B03	扳機連動件軸
P05	擊鐵	B04	撞針軸套
P06	上蓋止動片	B06	氣瓶頂針
P07	彈匣卡筍	B11	槍管
P08	槍柄左	B215	氣瓶頂針迫緊
P09	槍柄右	B402	心棒蓋
P11	底座定位件		
P16	保險定位軸	S01	扳機連桿壓簧
P27	槍管套	S02	彈匣卡筍壓簧
P28	內槍管導引件	S04	扳機扭簧
P403	彈匣底內件	S05	擊鐵扭簧
P477	彈匣滑粒	S06	保險定位軸壓簧
		S404	心棒壓簧
Z01	彈匣本體	S471	彈匣壓簧
Z04	撞針	SM1	扳機連動件扭簧
Z07	保險連桿	SM2	撞針扭簧
Z08	扳機連桿		
Z11	上蓋	E02	彈簧梢(底座定位件用)
Z12	擊鐵箱右	E03	螺絲(槍柄)
Z13	擊鐵箱左	E04	螺絲
Z14	握柄配件	E05	螺絲
Z31	槍管連動件	E06	螺絲
Z33	扳機連動件	E07	止付螺絲(保險左用)
Z34	扳機	E08	E型扣環
F01	軸(扳機用)	R01	子彈迫緊(BAX)
F02	軸(撞針用)	R403	O型環
F03	軸(本體用)	R404	O型環
F04	軸(扳機連桿用)	R405	O型環
F05	軸(擊鐵用)	R406	O型環
F401	心棒壓簧墊圈		
F409	心棒蓋迫緊	U01	銅濾心
		U02	六角板手
K01	導管貼紙	U1	彈匣組件

# MODEL KM-43 系說明書 MODEL KM-43 INSTRUCTION MANUAL



- ★ 裝彈數: 20+1發  
20+1 load
- ★ CO2直壓無BLOW BACK  
FIXED SLIDE CO2
- ★ 重量: 0.00 kg  
WEIGHT = 00 GRAM
- ★ 彈速: 124 m/s (408FPS) MAX  
SPEED = 124 m/s (408FPS) MAX
- ★ 有保險功能  
SAFETY FUNCTION
- ★ 4.5mm BB彈  
4.5mm BBs

**KWC** 建瑋玩具工業股份有限公司  
KIEN WILL TOY INDUSTRIAL CO., LTD.  
地址: 台南市自由路2段209巷5號  
ADD: NO.5,LANE 209,SECTION 2,ZI-H YOU RD.,TAINAN,TAIWAN  
TEL: 06-2691815-7  
FAX: 06-2698364  
e-mail: sales@kwcgun.com  
WEBSITE: www.kwcgun.com