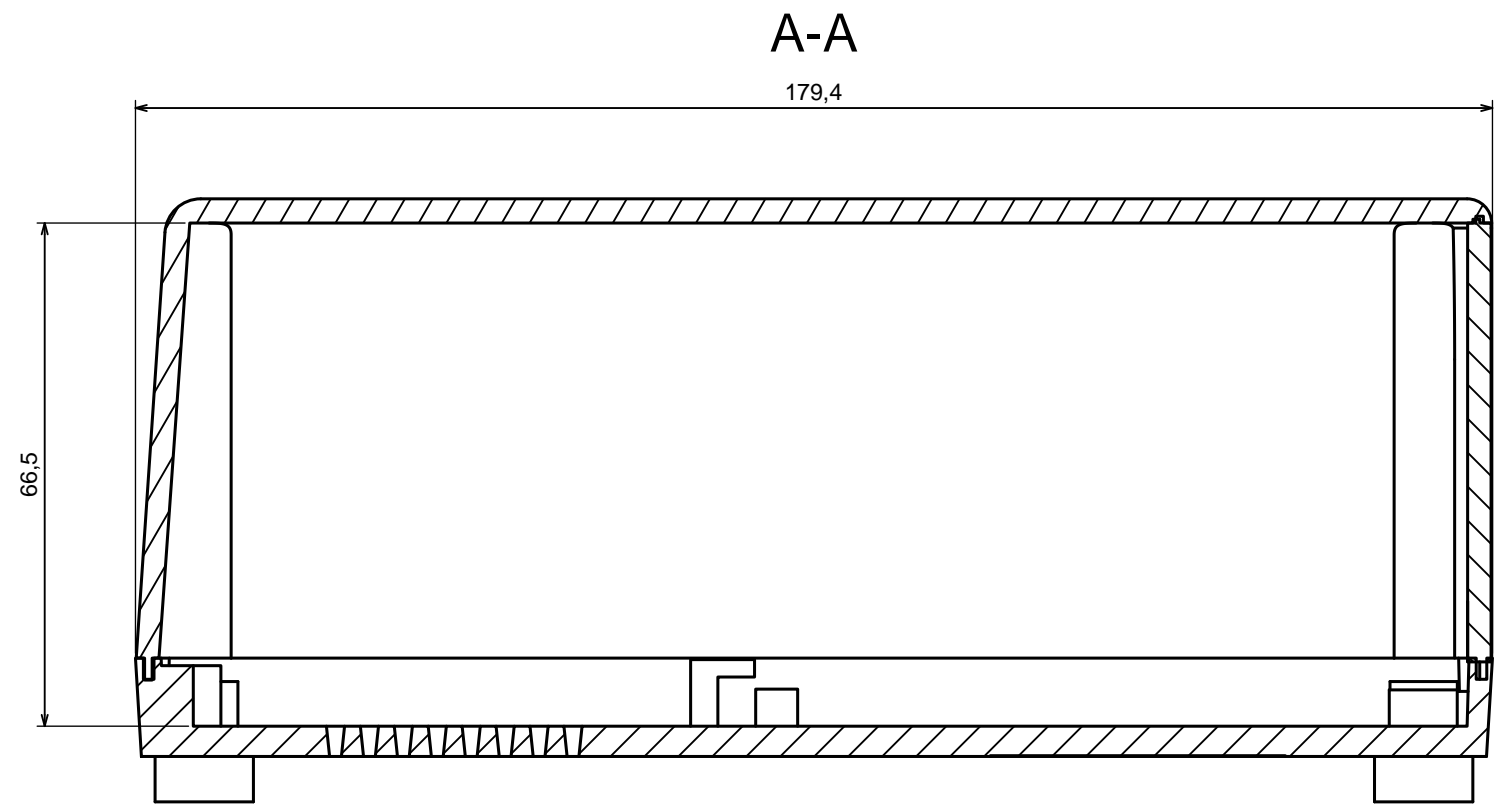

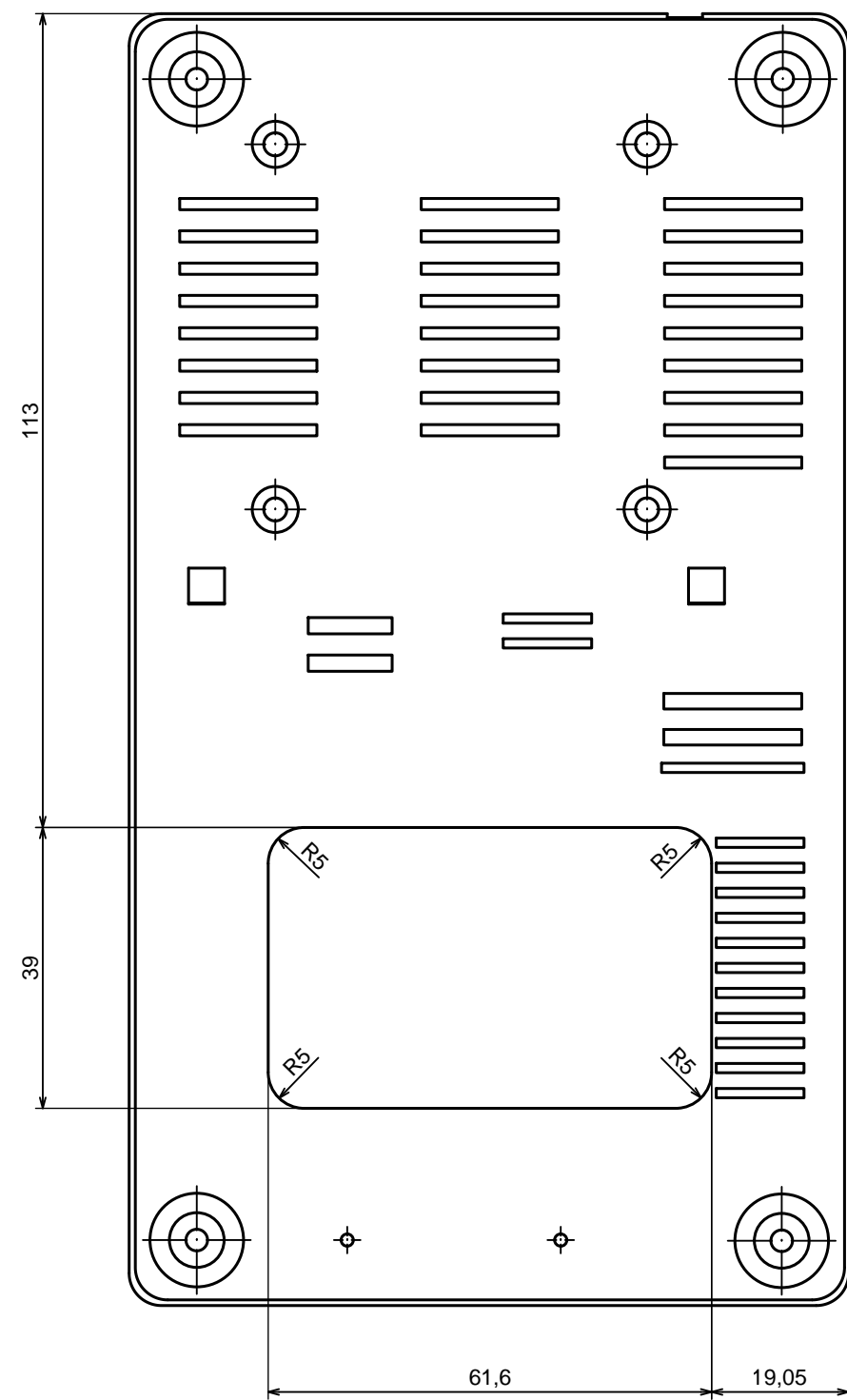
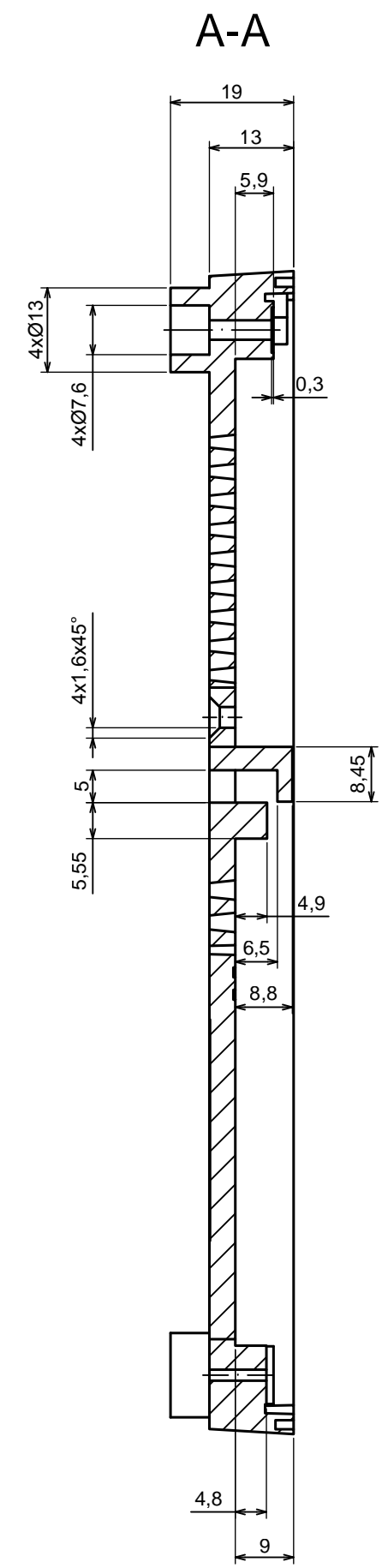
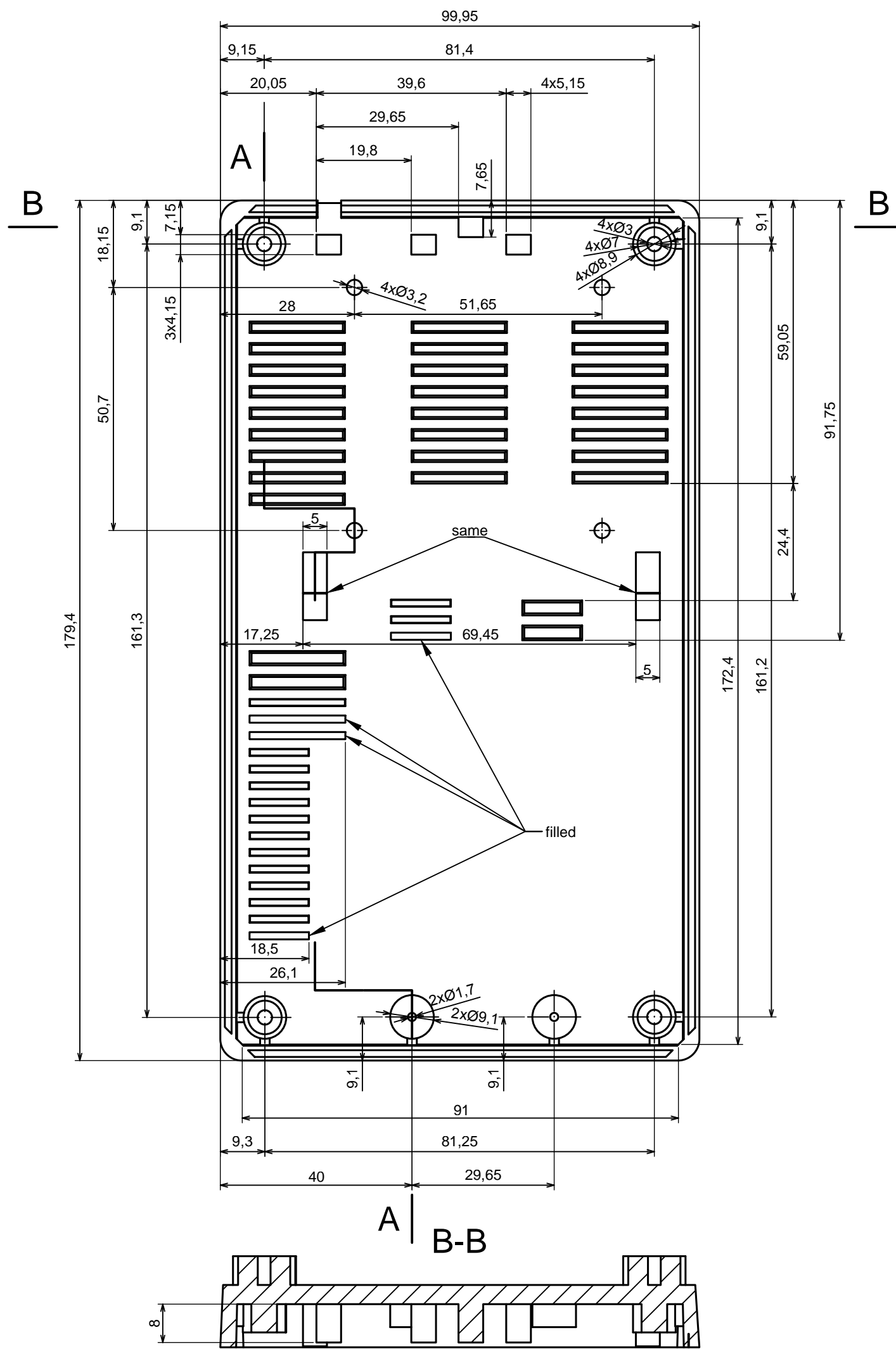


A |

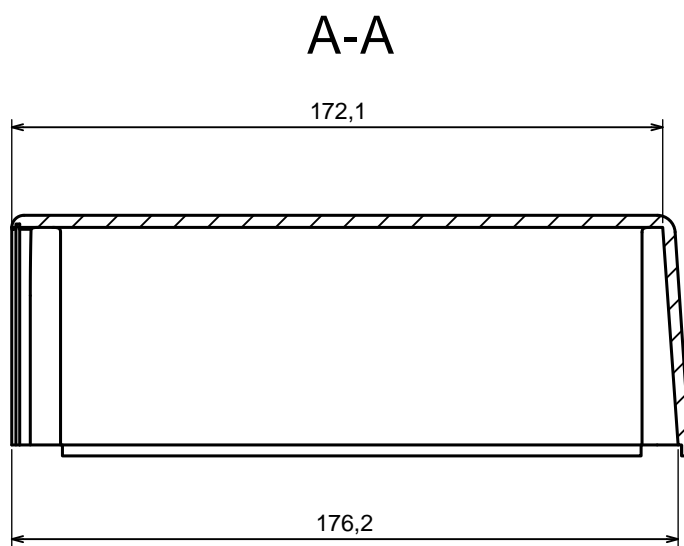
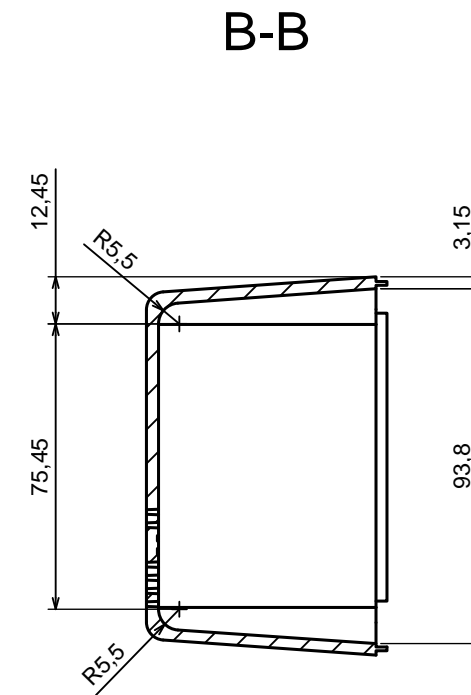
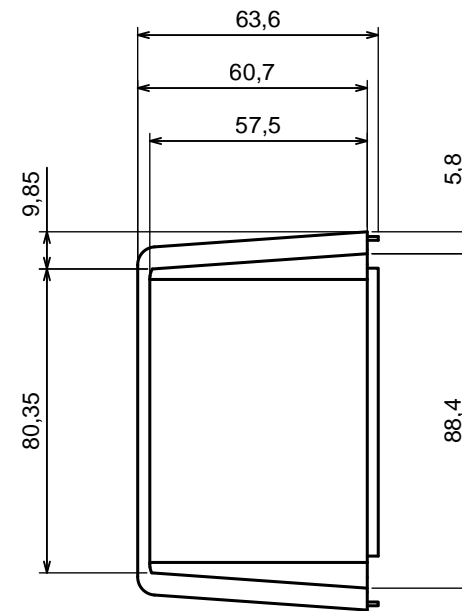
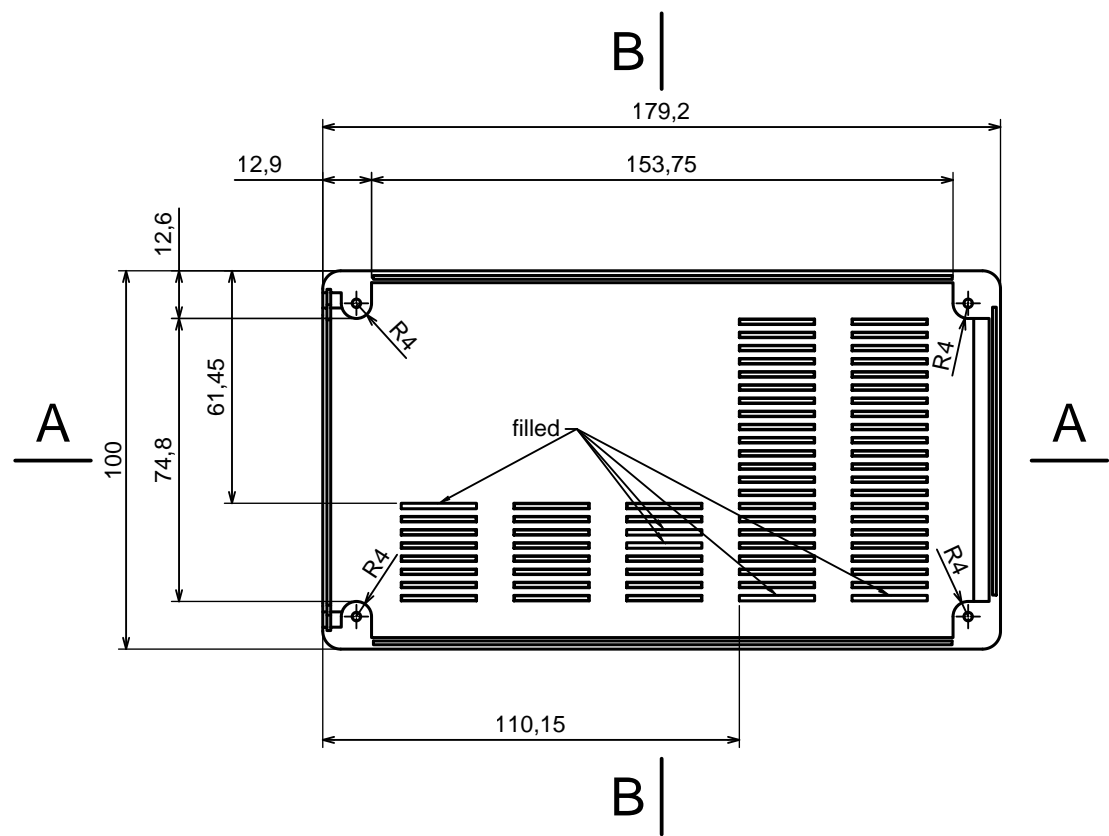


All rights reserved, Copyright Kradex 2016		
Product model	Enclosure Z40 - assembly	
Format: A3	Material: PS, ABS	
Scale 1:1	Tolerance: +/- 0.8	



All rights reserved, Copyright Kradox 2016	
Product model	Enclosure Z40 - base
Format: A3	Material: PS, ABS
Scale 1:1	Tolerance: +/- 0.8





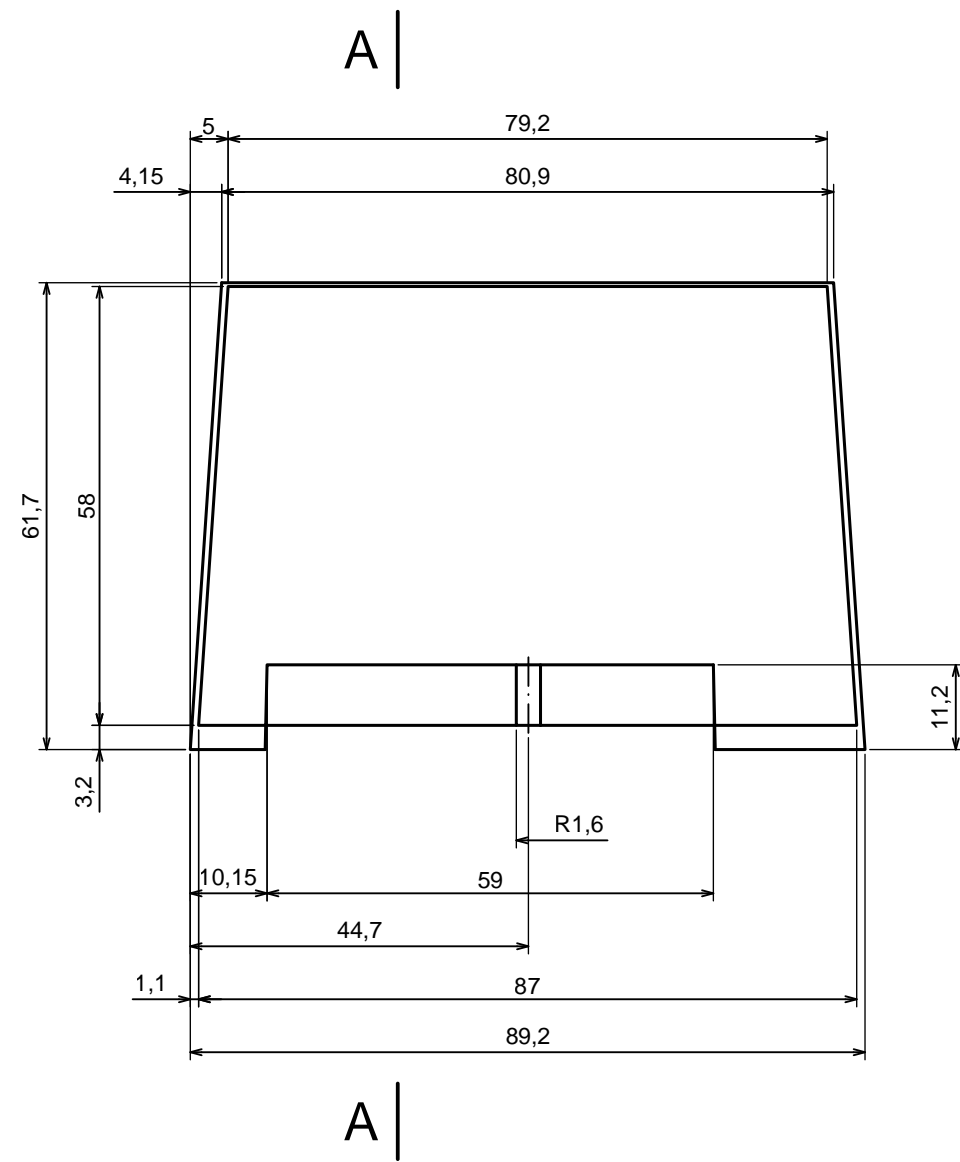
All rights reserved, Copyright Kradex 2016

Product model Enclosure Z40 - cover

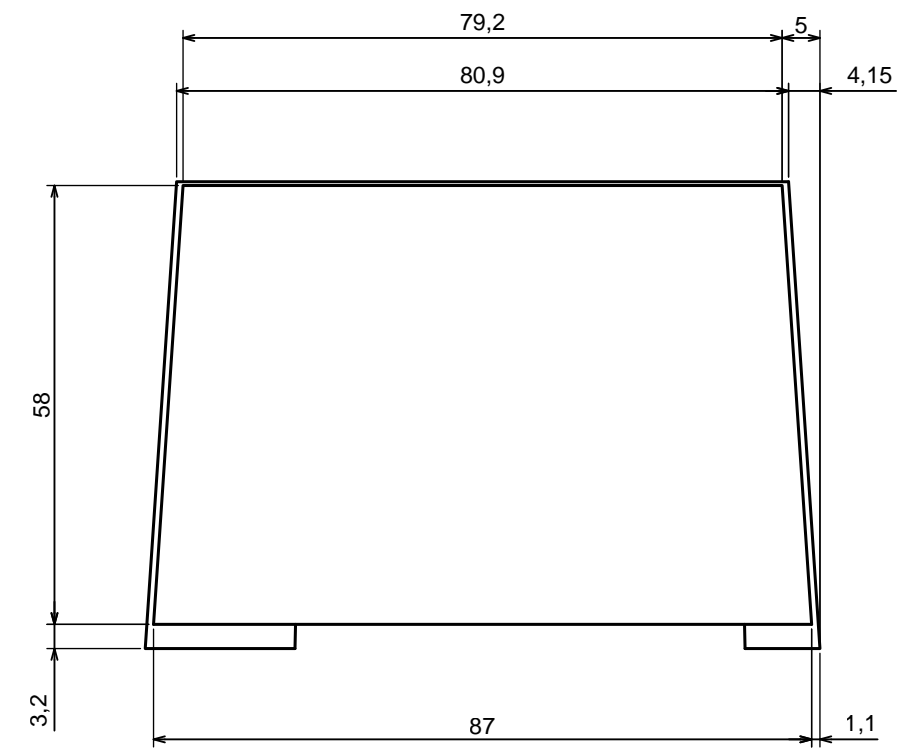
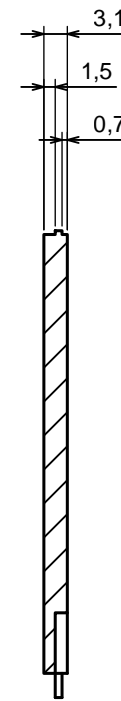
Format: A3 Material: PS, ABS

Scale 1:2 Tolerance: +/- 0.8





A-A



All rights reserved, Copyright Kradex 2016

Product model: Enclosure Z40 - board

Format: A3 Material: PS, ABS

Scale 1:1 Tolerance: +/- 0.5

