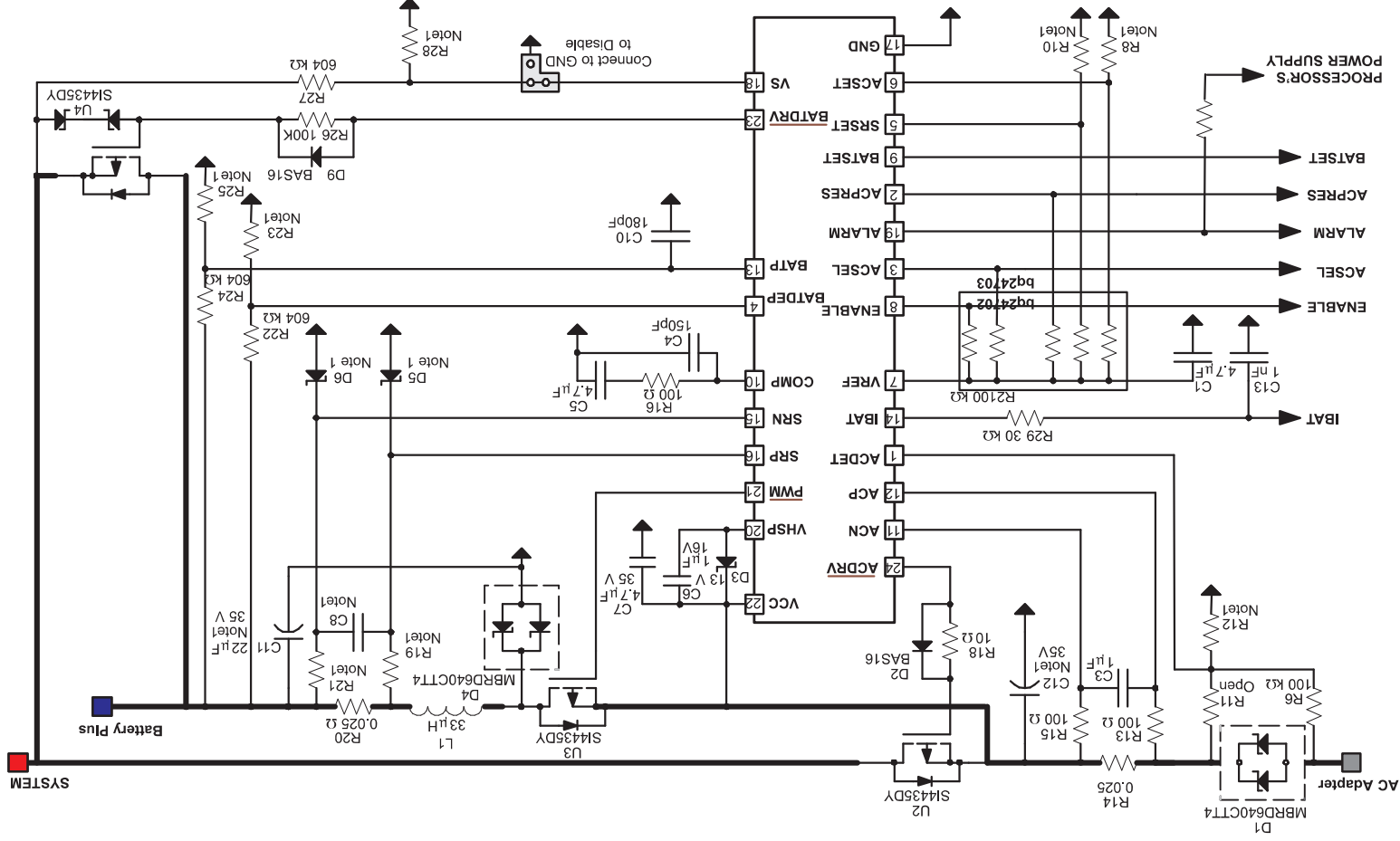


APPLICATION DIAGRAM



Note 1: R8 Sets AC Adapter Current Limit
 R10 Sets Charge Current
 R12 Sets AC ADAPTER Current Limit
 R23 Sets the Battery Depleted Threshold
 R25 Sets the Charge Regulation Voltage
 R28 Sets System Break Before Make
 R19 = R21, Sets Zero Volt Charge Current
 C11 Optional, See Application Notes
 C12 For Value, See Application Notes
 C8 Value Depends on R21 and R19, See Application Notes
 D5, D6 Refer to the Application Section