

# RF wireless RGB remote controller



## Feature

- 1 zone/area
- Press-button RGB controller
- Built-in 10 modes

## Parameter

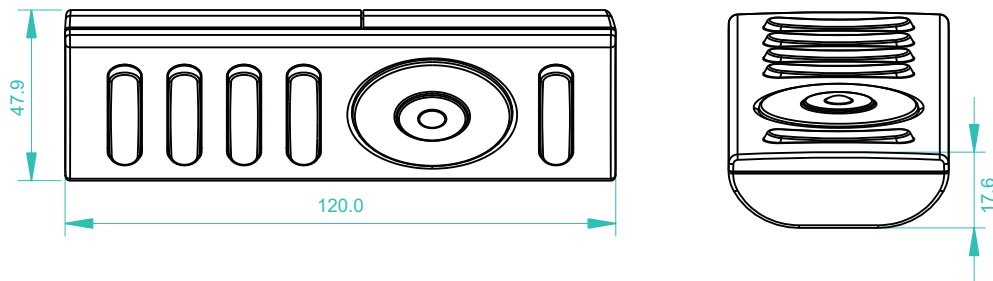
### Remote

Part No.	Operation Voltage	Operation Frequency	Remarks
Remote	4.5VDC	434MHz/868MHz	RF Wireless

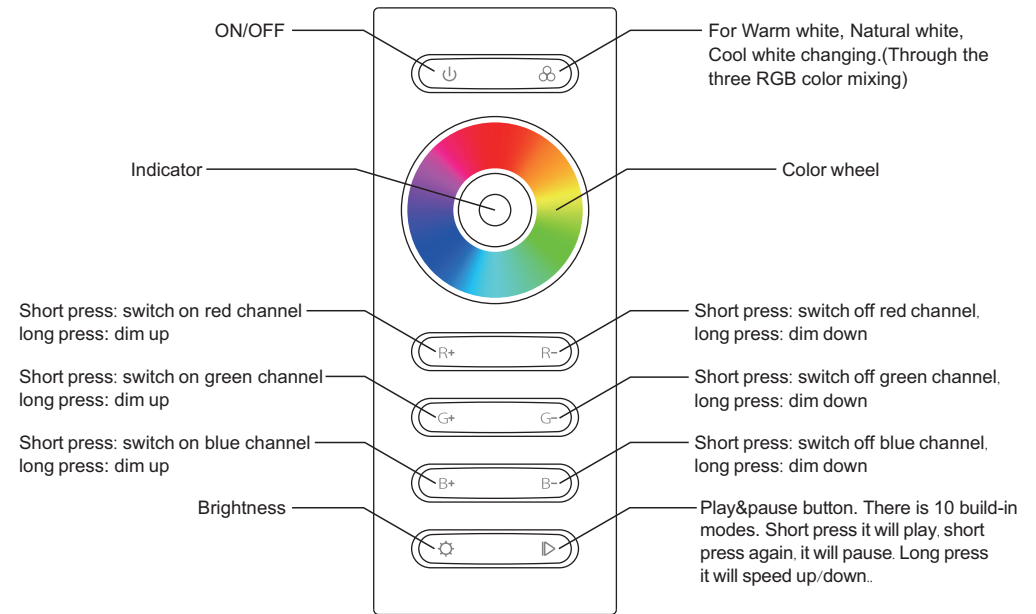
### Receiver

Part No.	Input Voltage	Current	Output	Remarks
Receiver	12-24VDC	3x5A	3x(60-120)W	Constant voltage

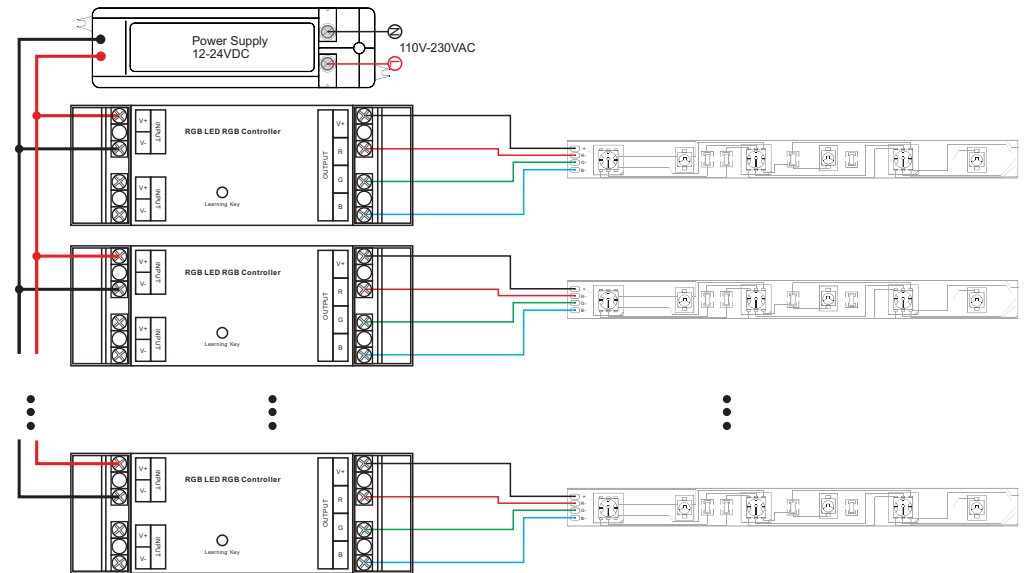
## Product Size



## Description of buttons



## Wiring diagram



## Operation

1. Do wiring according to connection diagram
2. Learning (matching)
  - a. Do wiring according to connection diagram
  - b. Wake up the remote control by touching ON/OFF button.
  - c. Press learning button on receiver.
  - d. Touch control wheel .
  - e. Connected LED light will blink to confirm matching successfully.
  - f. Press learning button on receiver over 5 seconds until LED light flash, then delete the learned ID.

## Safety & Warnings

- 1) The product shall be installed and serviced by a qualified person.
- 2) IP20. Please avoid the sun and rain. When installed outdoors, please ensure it is mounted in a water proof enclosure.
- 3) Always be sure to mount this unit in an area with proper ventilation to avoid overheating.
- 4) Please check if the output voltage of any LED power supplies used comply with the working voltage of the product.
- 5) Never connect any cables while power is on and always assure correct connections to avoid short circuits before switching on.
- 6) Please ensure that the cable is secured tightly in the connector
- 7) For update information please consult your supplier.

## Warranty Agreement

- 1) We provide lifelong technical assistance with this product:
  - 1-year warranty. We print date on every products, for example :1125 means year 2011, week 25. The warranty is for free repair or replacement and covers manufacturing faults only.
  - For faults beyond the 1-year warranty we reserve the right to charge for time and parts.
- 2) Limited Warranty
  - Any defects caused by wrong operation.
  - Any damages caused by unauthorized removal, maintenance, modifying, incorrect connection and replacement of chips.
  - Any damages due to transportation, vibration etc. after purchase.
  - Any damages caused by earthquake, fire, lightning, pollution and abnormal voltage.
  - Any damages caused by negligence, inappropriate storing at high temperatures and humidity or near harmful chemicals.
  - Product has been updated
- 3) Repair or replacement as provided under this warranty is the exclusive remedy to the customer.