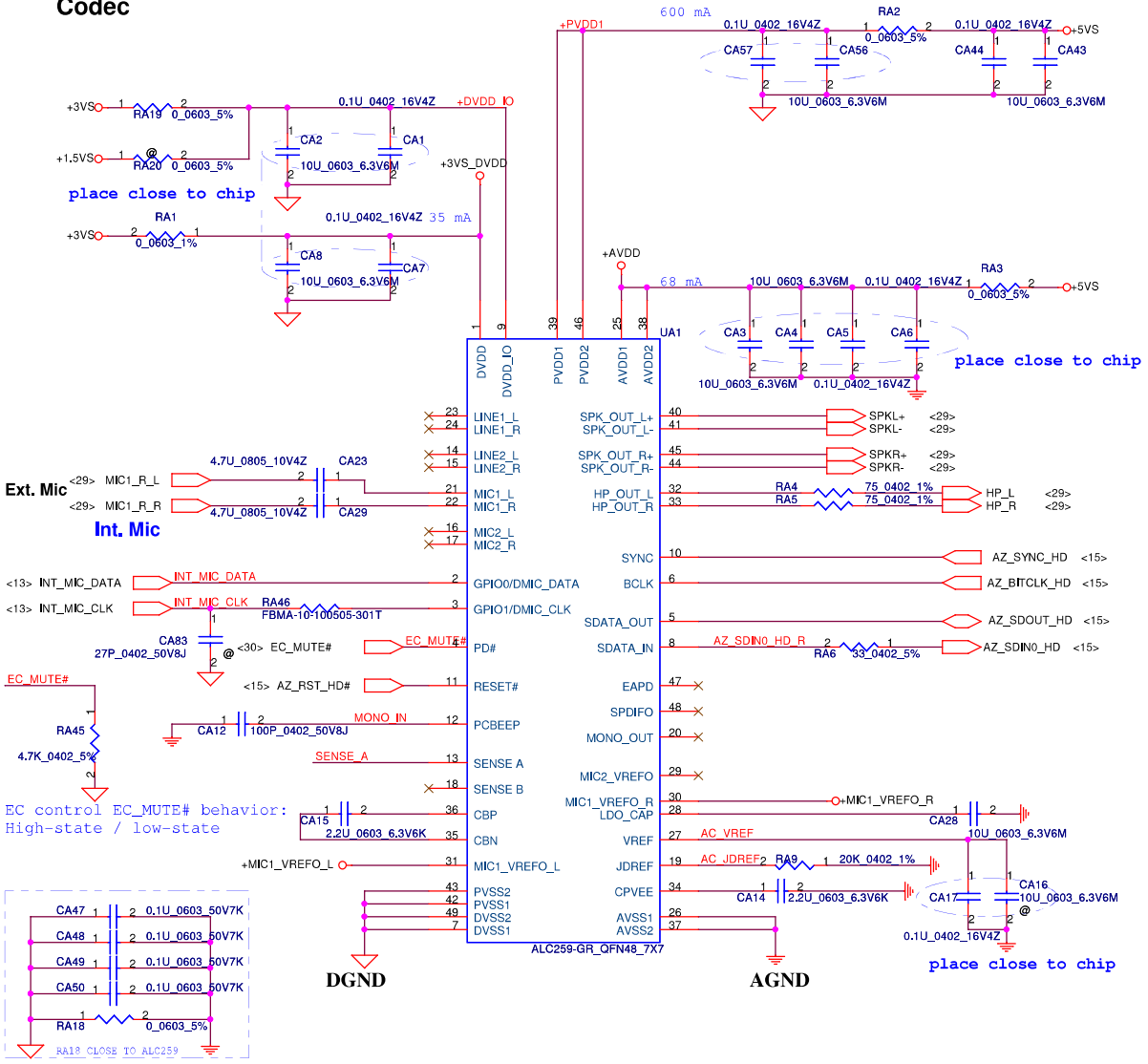
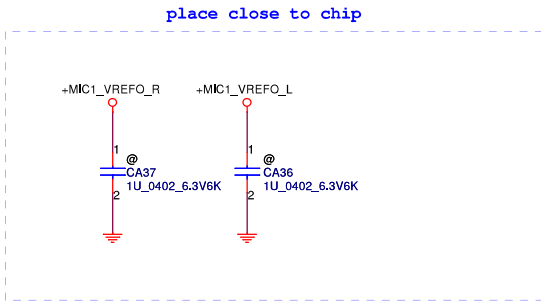
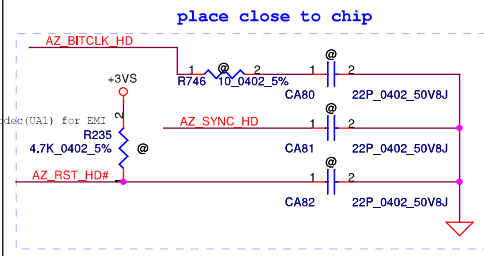
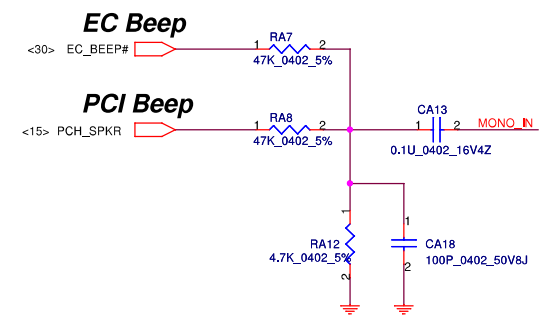


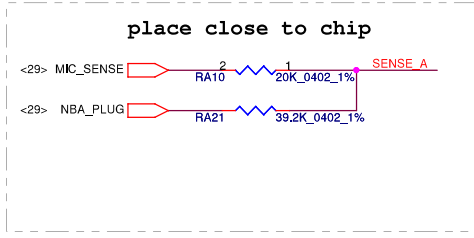
# Codec



# Beep sound



Sense Pin	Impedance	Codec Signals	Function
SENSE A	39.2K	PORT-I (PIN 32, 33)	Headphone out
	20K	PORT-B (PIN 21, 22)	Ext. MIC
	10K	PORT-C (PIN 23, 24)	
SENSE B	5.1K	(PIN 48)	
	39.2K	PORT-E (PIN 14, 15)	
	20K	PORT-F (PIN 16, 17)	Int. MIC
	10K	PORT-H (PIN 20)	



Security Classification		Compal Secret Data		Compal Electronics, Inc.	
Issued Date	2010/09/03	Deciphered Date	2012/12/31	Title	
THIS SHEET OF ENGINEERING DRAWING IS THE PROPRIETARY PROPERTY OF COMPAL ELECTRONICS, INC. AND CONTAINS CONFIDENTIAL AND TRADE SECRET INFORMATION. THIS SHEET MAY NOT BE TRANSFERRED FROM THE CUSTODY OF THE COMPETENT DIVISION OF R&D DEPARTMENT EXCEPT AS AUTHORIZED BY COMPAL ELECTRONICS, INC. NEITHER THIS SHEET NOR THE INFORMATION IT CONTAINS MAY BE USED BY OR DISCLOSED TO ANY THIRD PARTY WITHOUT PRIOR WRITTEN CONSENT OF COMPAL ELECTRONICS, INC.				HDA-ALC259	
Size	Document Number	PWWHA LA-7202P M/B		Rev	1.0
Date:	Friday, February 25, 2011	Sheet	28	of	43