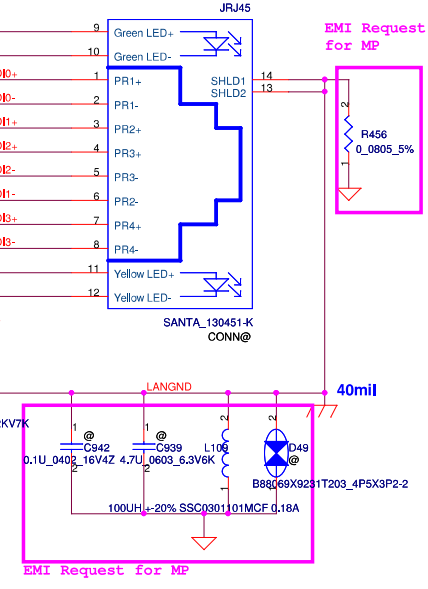


8151@	Populate when AR8151-AL1A
8152@	Populate when AR8152-AL1E



Security Classification		Compal Secret Data		Title	
Issued Date		Deciphered Date		LAN AR8151 / AR8152	
2010/08/20		2011/08/20		Document Number	
				LA-7092P P5WE6/H6/S6	
THIS SHEET OF ENGINEERING DRAWING IS THE PROPRIETARY PROPERTY OF COMPAL ELECTRONICS, INC. AND CONTAINS CONFIDENTIAL AND TRADE SECRET INFORMATION. THIS SHEET MAY NOT BE TRANSFERRED FROM THE CUSTODY OF THE COMPETENT DIVISION OF COMPAL ELECTRONICS, INC. NEITHER THIS SHEET NOR THE INFORMATION IT CONTAINS MAY BE USED BY OR DISCLOSED TO ANY THIRD PARTY WITHOUT PRIOR WRITTEN CONSENT OF COMPAL ELECTRONICS, INC.				Date:	Monday, November 29, 2010
				Sheet	26 of 47