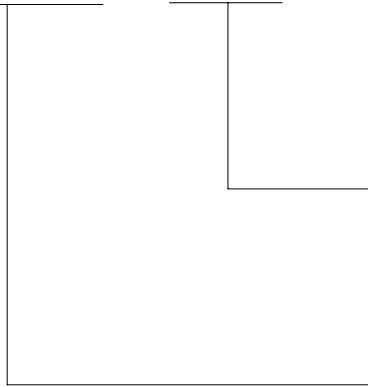




ORDERING CODE

HLS-MK3P - DC12V



NOMINAL VOLTAGE

DC6V,DC9V,DC12V,DC24V,DC36V,DC48V,DC100V,DC110V  
 AC6V,AC9V,AC12V,AC24V,AC36V,AC48V,AC100VAC110V,  
 AC220V,AC240V

TYPE

**CONTACT DATA**

Contact Form	3C	
Contact Material	Ag Alloy	
Contact Ratings	10A 250VAC/280VDC	
Max Switching Voltage	250VAC/120VDC	
Max Switching Current	10A	
Max Switching Power	2500VA/280W	
Initial Contact Resistance	50m Ω Max	at 6VDC 1A
Life Expectancy Electrical	100,000	Operations (rated load)
Life Expectancy Mechanical	10,000,000	Operations (no load)

**GENERAL DATA**

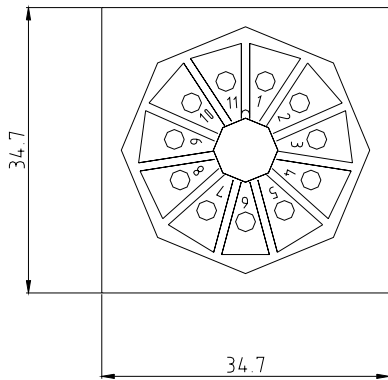
Insulation Resistance	500M Ω min at500VDC	
Dielectric Strength Between Open Contacts	1500VAC 50-60HZ (1minute)	
Dielectric Strength Between Contacts And Coil	1500VAC 50-60HZ (1 minute)	
Operate Time	30ms max	
Release Time	20ms max	
Ambient Temperature	-40°C to +55°C	
Shock Resistance	Malfunction	10G
	Destruction	100G
Vibration Resistance	10-55Hz, 1.5mm double amplitude	
Ambient humidity	35-85% RH	
Weight	Approx 76g	
Safety Standard	CQC	

**COIL DATA**

Rated Voltage (V)	DC Coil			AC Coil		
	Coil Resistance Ω (± 10%)	Max Operate Voltage (VDC)	Min Release Voltage (VDC)	Coil Resistance Ω (± 10%)	Max Operate Voltage (VDC)	Min Release Voltage (VDC)

6	23.7	4.5	0.6	3.9	4.8	1.8
9	54	6.75	0.9	9	7.2	2.7
12	96	9	1.2	17	9.6	3.6
24	430	18	2.4	62.5	19.2	7.2
36	860	27	3.6	144	28.8	10.8
48	1640	36	4.8	305	38.4	14.4
110	7360	82.5	11	1250	88	33
220	29500	165	22	5170	176	66

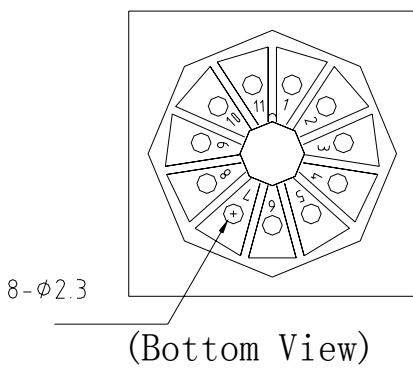
Outline Dimension (mm)



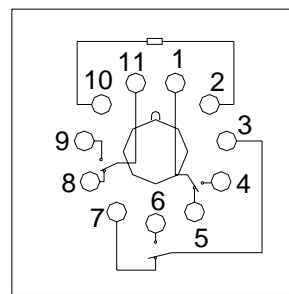
PC Board layout



Wiring Diagram



(Bottom View)



(Bottom View)