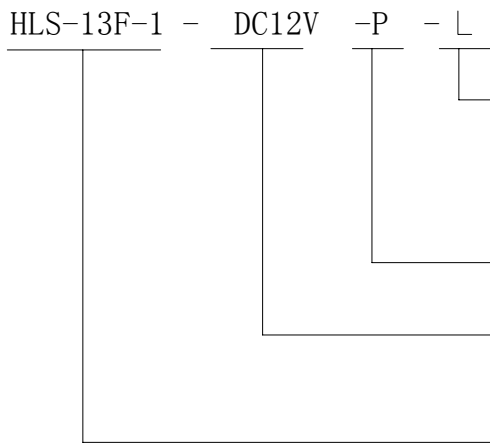


ORDERING CODE



NIL....STANDARD
 LLED
 TTEST BUTTON
 ALED + TEST BUTTON

TERMINAL TYPE
 NIL....PLUG IN P....PBC

NOMINAL VOLTAGE
 DC5V,DC6V,DC9V,DC12V,DC24VDC48V,DC110V
 AC6V,AC9V,AC12V,AC24V,AC48V,AC120V,AC240V

TYPE

CONTACT DATA

Contact Form	1C	
Contact Material	Ag Alloy	
Contact Ratings	16A 240VAC/30VDC	
Max Switching Voltage	250VAC/30VDC	
Max Switching Current	20A	
Max Switching Power	4000VA/480W	
Initial Contact Resistance	100mΩ Max	at 6VDC 1A
Life Expectancy Electrical	100,000	Operations (rated load)
Life Expectancy Mechanical	10,000,000	Operations (no load)

GENERAL DATA

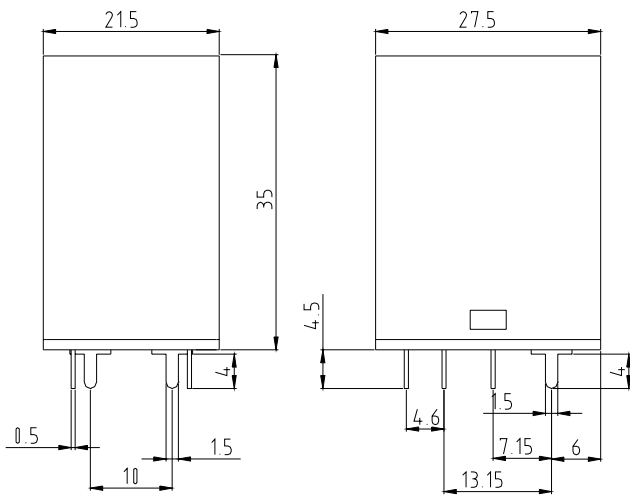
Insulation Resistance	100MΩ min at500VDC	
Dielectric Strength Between Open Contacts	1000VAC 50-60HZ (1minute)	
Dielectric Strength Between Contacts And Coil	1500VAC 50-60HZ (1 minute)	
Operate Time	25ms max	
Release Time	25ms max	
Ambient Temperature	-40°C to+70°C	
Shock Resistance	Malfunction	20G
	Destruction	100G
Vibration Resistance	10-55Hz,1.5mm double amplitude	
Ambient humidity	40-85% RH	
Weight	Approx32g	
Safety Standard	CQC	

COIL DATA: (@20°C)

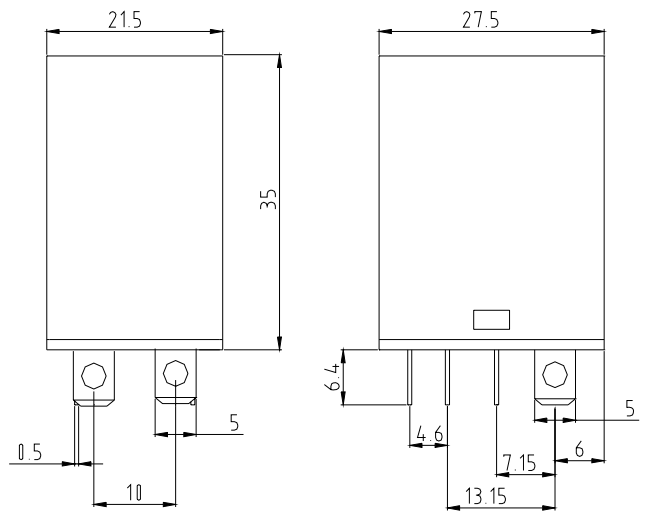
Rated Voltage (V)	DC Coil 0.9W			AC Coil 1.2VA		
	Coil Resistance $\Omega (\pm 10\%)$	Max Operate Voltage (VDC)	Min Release Voltage (VDC)	Coil Resistance $\Omega (\pm 10\%)$	Max Operate Voltage (VDC)	Min Release Voltage (VDC)
5	32	3.75	0.5	-	-	-
6	40	4.5	0.6	11.5	4.8	1.8
9	90	6.75	0.9	40	7.2	2.7
12	160	9	1.2	46	9.6	3.6
24	650	18	2.4	184	19.2	7.2
48	2600	36	4.8	735	38.4	14.4
110	11000	82.5	11	-	-	-
120	-	-	-	4550	96	36
240	-	-	-	14400	192	72

Outline Dimension(mm)

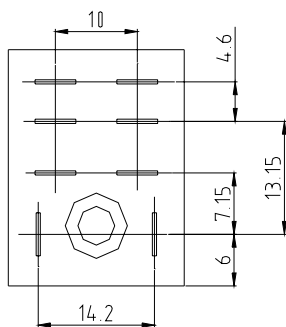
PCB Terminal



Plug-In Terminal

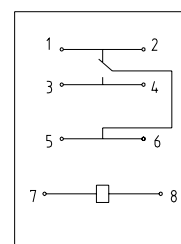


PC Board layout



(Bottom View)

Wiring Diagram



(Bottom View)