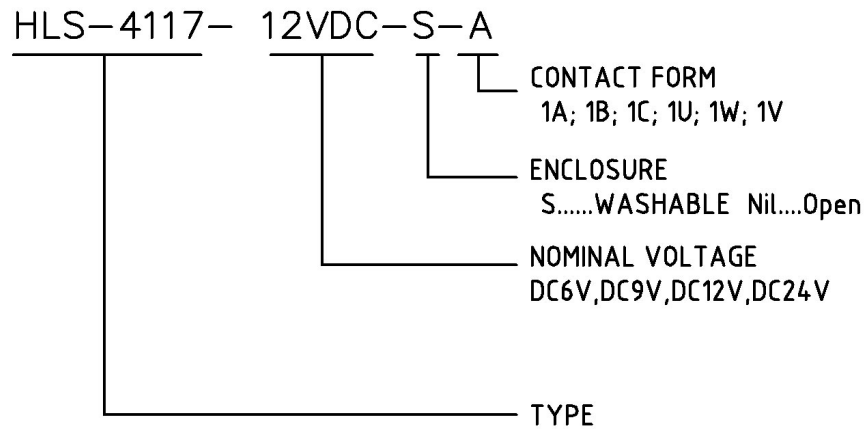


ORDERING CODE



CONTACT DATA

Contact Form	1A/1B/1C/1U/1V/1W	
Contact Material	Ag Alloy	
Contact Ratings	15A/14VDC	
Max Switching Voltage	75VDC	
Max Switching Current	20A	
Max Switching Power	400W	
Initial Contact Resistance	100m Ω Max	at6VDC 1A
Life Expectancy Electrical	100,000	Operations (rated load)
Life Expectancy Mechanical	10,000,000	Operations (no load)

GENERAL DATA

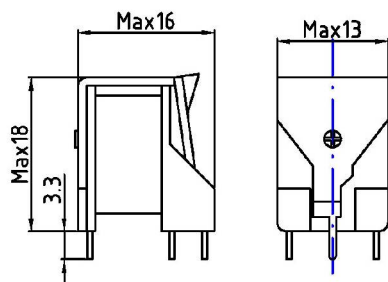
Insulation Resistance	100M Ω min at500VDC	
Dielectric Strength Between Open Contacts	500VAC 50-60HZ (1 minute)	
Dielectric Strength Between Contacts And Coil	500VAC 50-60HZ (1 minute)	
Operate Time	3ms max	
Release Time	1.5ms max	
Ambient Temperature	-40°C to +85°C	
Shock Resistance	Malfunction	10G
	Destruction	100G
Vibration Resistance	20-200Hz, 1.5mm double amplitude	
Ambient humidity	40-85% RH	
Weight	Approx 9g(O) 12g(S)	
Safety Standard		

COIL DATA

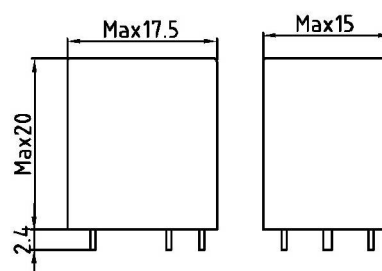
Rated Voltage (VDC)	Coil Resistance Ω ($\pm 10\%$)	Max Operate Voltage (VDC)	Min Release Voltage (VDC)	Max Applied Voltage (VDC)
	1.1W			
6	33	4.5	0.6	7.8
9	74	6.75	0.9	11.7
12	131	9	1.2	15.6
24	524	18	2.4	31.2

Outline Dimension (mm)

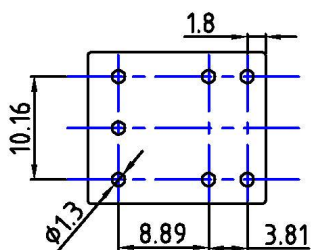
Open Type



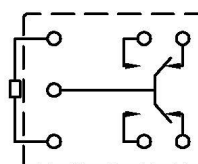
Sealed Type



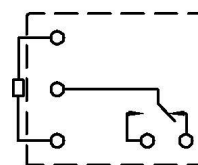
PC Board layout



Wiring Diagram 接线图



1W



1C