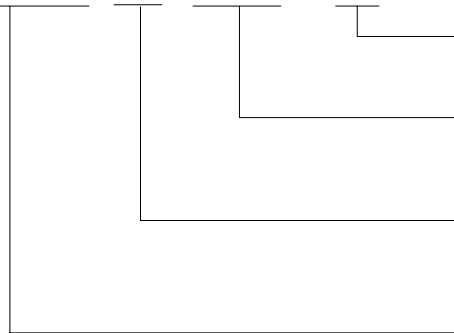


ORDERING CODE 订购代码

HLS-14F2 D - DC12V - C



CONTACT FORM

C:1 FORM C A:1 FORM A

NOMINAL VOLTAGE

DC3V,DC5V,DC6V,DC9V,DC12V,DC24V,DC48V

COIL

D...STANDARD|0.72W|

L...HIGH SENSITIVE|0.53W|

TYPE

CONTACT DATA 触点参数:

Contact Form	触点形式	1A /1C
Contact Material	触点材料	Ag Alloy
Contact Ratings	触点负载	16A240VAC/16A 30VDC
Max Switching Voltage	最大转换电压	250VAC/110VDC
Max Switching Current	最大转换电流	16A
Max Switching Power	最大转换功率	4000VA/480W
Initial Contact Resistance	接触电阻(首次)	50m Ω Max at6VDC 1A
Life Expectancy Electrical	电气寿命	100,000 Operations (rated load)
Life Expectancy Mechanical	机械寿命	10,000,000 Operations (no load)

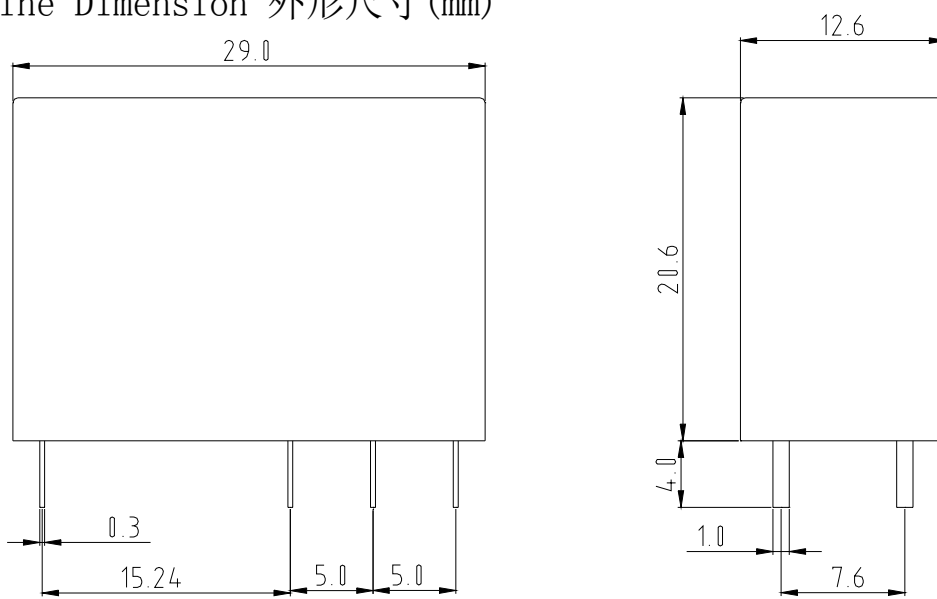
GENERAL DATA 一般参数:

Insulation Resistance	绝缘阻值	1000M Ω Min at500VDC
Dielectric Strength Between Open Contacts	触点间耐压	1000VAC 50-60HZ (1 minute)
Dielectric Strength Between Contacts And Coil	触点与线圈间耐压	5000VAC 50-60HZ (1 minute)
Operate Time	吸合时间	15ms max
Release Time	释放时间	8ms max
Ambient Temperature	环境温度	-30°C to+70°C
Shock Resistance 冲击	Malfunction 动作极限	10G
	Destruction 破坏极限	100G
Vibration Resistance	振动	10-55Hz,1.5mm double amplitude
Ambient humidity	湿度	20-85% RH
Weight	重量	Approx 13g
Safety Standard	安全标准	TUV CE CQC

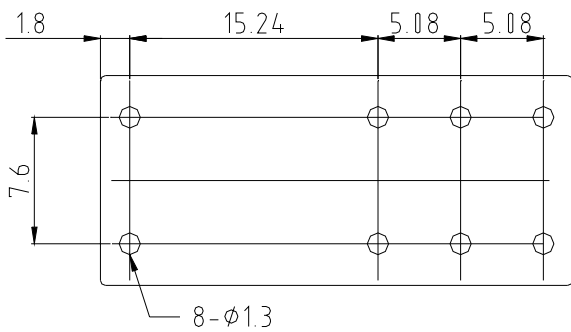
COIL DATA 线圈参数: (@20°C)

Rated Voltage 额定电压 (VDC)	Coil Resistance Ω ($\pm 10\%$) 线圈阻值		Max Operate Voltage 最大吸合电压 (VDC)	Min Release Voltage 最小释放电压 (VDC)	Max Applied Voltage 最大允许电压 (VDC)
	0.53W	0.72W			
3	17	12.5	2.4	0.15	3.9
5	50	36	4	0.25	6.5
6	68	50	4.8	0.3	7.8
9	155	115	7.2	0.45	11.7
12	270	200	9.6	0.6	15.6
24	1100	820	19.2	1.2	31.2
48	4400	3300	38.4	2.4	62.4

Outline Dimension 外形尺寸 (mm)

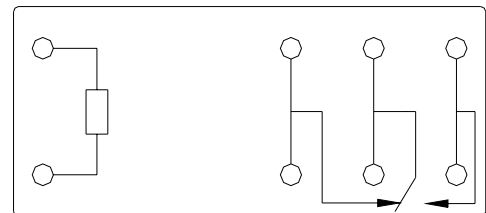


PC Board layout 安装图



(Bottom View)底视

Wiring Diagram 接线图



(Bottom View)底视