

# 1 Dimension sheets

## Sigma/ 1 Control Type S1Cb

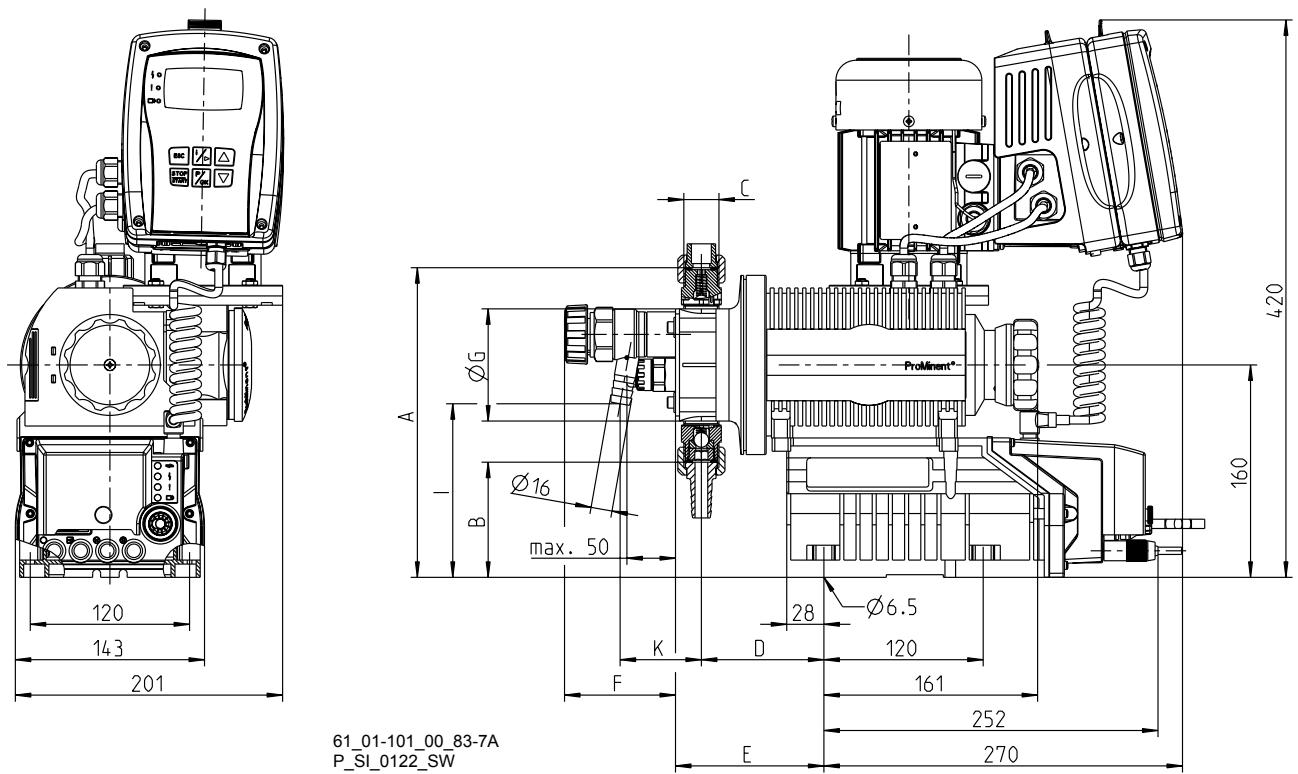


Fig. 1: Dimensions in mm

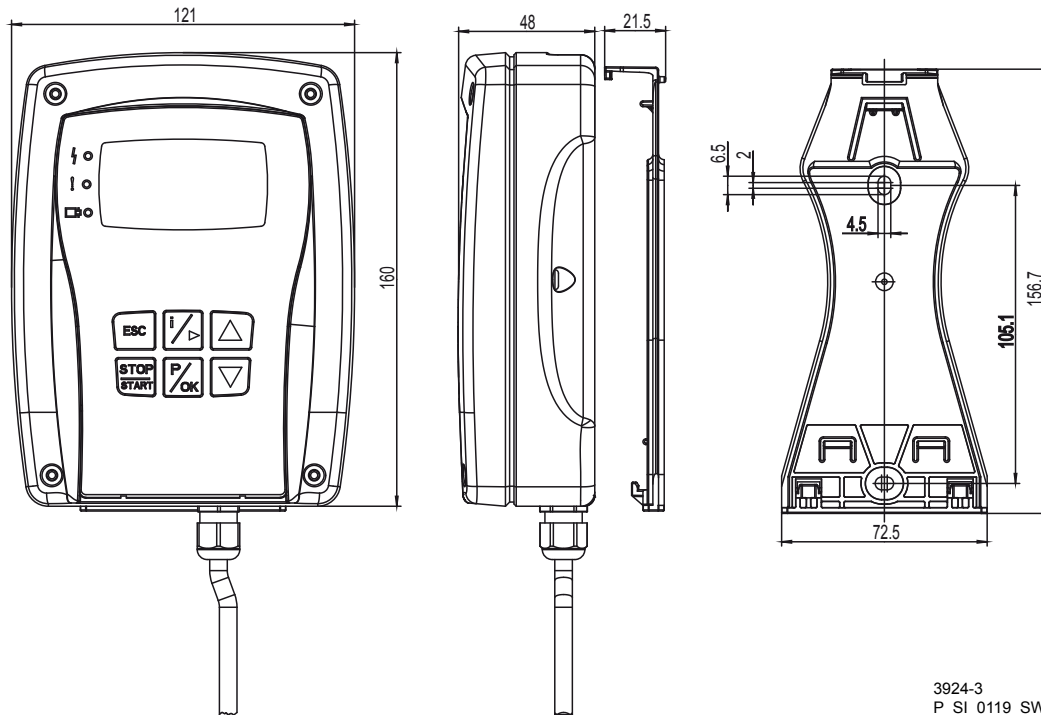
Type	Connection	A	B	C	D	E	F*	ØG	I*	K*
12017, 12035, 10050 PVT	DN 10	234	87	G1 3/4 A	93	112*/ 109	84	96	131	62
12017, 12035, 10050 SST	DN 10	231	89	G1 3/4 A	92	108	88	108	100	45
10022, 10044, 07065 PVT	DN 10	234	87	G1 3/4 A	93	112*/ 109	84	96	131	62
10022, 10044, 07065 SST	DN 10	231	89	G1 3/4 A	92	108	88	108	100	45

Type	Conne- tion	A	B	C	D	E	F*	ØG	I*	K*
07042, 04084, 04120 SST	DN 15	243	78	G1 A	98	129*/ 119	74	122	138	63
07042, 04084, 04120 PVT	DN 15	243	78	G1 A	97	118	88	124	112	51

### Tube nozzle relief valve with thread

Thread	ØS
G 3/4 A	16

### HMI and wall bracket



3924-3  
P\_SI\_0119\_SW

Fig. 2: Dimensions in mm