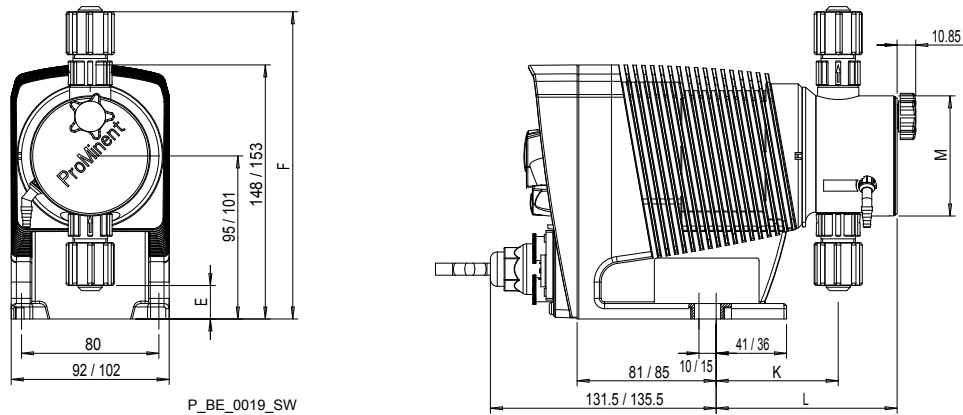


14 Appendix

14.1 Dimensional Drawings

Dimensional drawing of Beta[®] b, PP material version



P_BE_0019_SW

Fig. 13: Dimensional drawing of Beta[®] BT4b/BT5b, PP material version - dimensions in mm

	1000 - 1604	0708 - 0220	1008 - 0420	0232
E	19.5	7	14	1.5
F	179	186.5	191.5	200.5
K	71	77.5	74	77.5
L	105.5	111	107.5	94.5
M	Ø 70	Ø 90	Ø 90	Ø 110

Dimensional drawing of Beta® b, NP material version

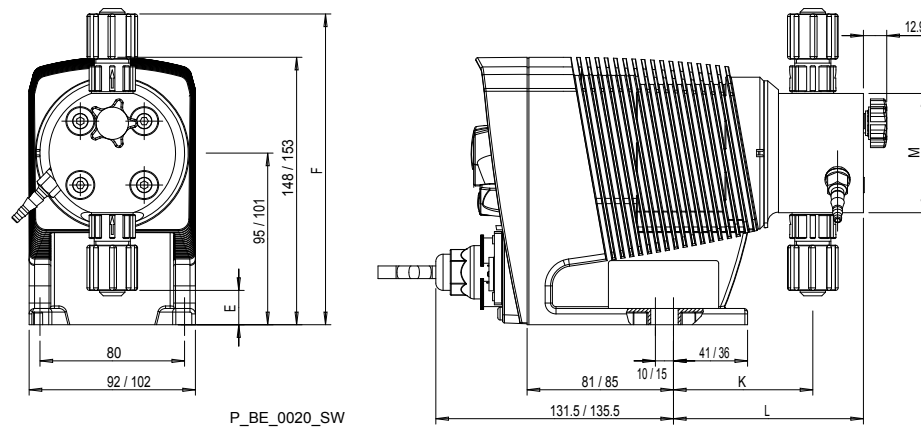


Fig. 14: Dimensional drawing of Beta® BT4b/BT5b, NP material version - dimensions in mm

	1000 - 1604	0708 - 0220	2504	1008 - 0420	0232
E	19	7.2	24.5	14	3.2
F	172	183	178.5	188	199
K	77	77.5	77	74	76
L	105	105.5	105	102	104.5
M	Ø 70	Ø 90	Ø 70	Ø 90	Ø 110

Dimensional drawing of Beta® b, PP and NP SEK material version

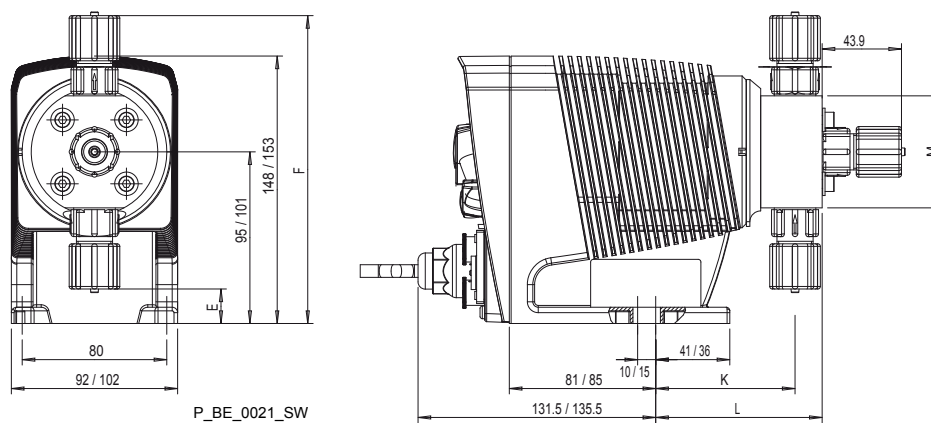


Fig. 15: Dimensional drawing of Beta® BT4b/BT5b, PP and NP material versions with self-bleeding dosing head SEK - dimensions in mm

	1604	0708 - 0220	1008 - 0232
E	19	7.5	13.5
F	170.5	182.5	188.5
K	77	74	74
L	92	105.5	89
M	Ø 70	Ø 90	Ø 90

Dimensional drawing of Beta® b, PV material version

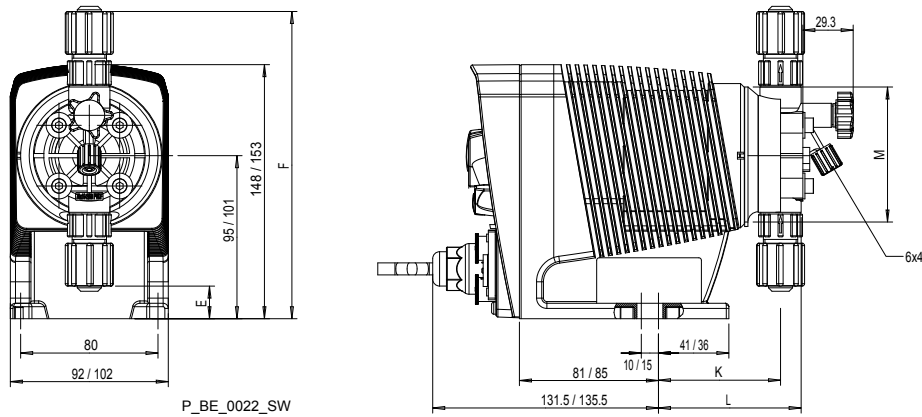


Fig. 16: Dimensional drawing of Beta® BT4b/BT5b, PV material version - dimensions in mm

	1604	0708 - 0220	1008 - 0420	0232
E	19	8	14	3.2
F	179	185.5	191.5	199
K	71	73	73	76
L	83	90	90	93
M	Ø 70	Ø 90	Ø 90	Ø 110

Dimensional drawing of Beta® b, PV HV material version

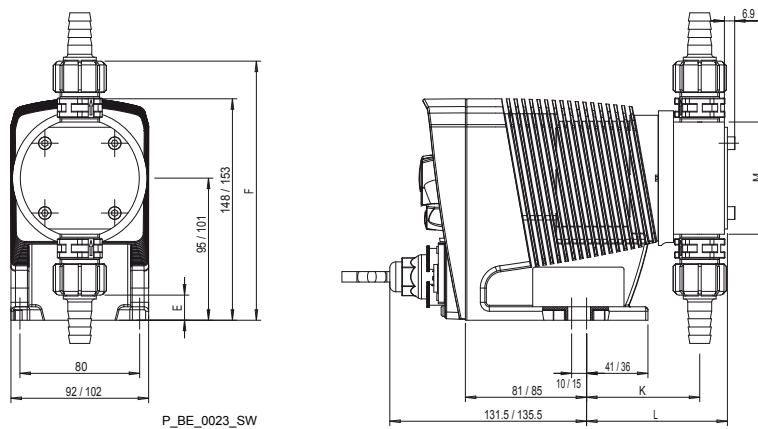


Fig. 17: Dimensional drawing of Beta® BT4b/BT5b, PV material version for highly viscous feed chemicals - dimensions in mm

	1604	0708 - 0220	1008 - 0713	0420
E	17	13	22.8	19
F	173	177	179.2	183
K	75.5	77	75.5	78.5
L	94	95	94	96.5
M	Ø 80	Ø 85	Ø 85	Ø 85

Dimensional drawing of Beta[®] b, TT material version

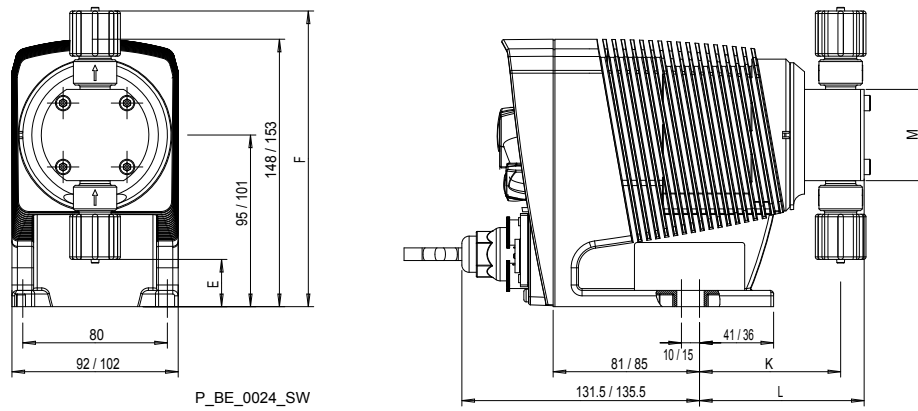


Fig. 18: Dimensional drawing of Beta[®] BT4b/BT5b, TT material version - dimensions in mm

	1000 - 1601	1602 - 1604	0708 - 0220	1008 - 0420	0232
E	26	21.5	-13	-7.2	-15.2
F	164	169	203	208.7	216.7
K	78	72	77	77	78
L	91	86	94	94	97
M	Ø 60	Ø 70	Ø 85	Ø 85	Ø 100

Dimensional drawing of Beta[®] b, SS material version

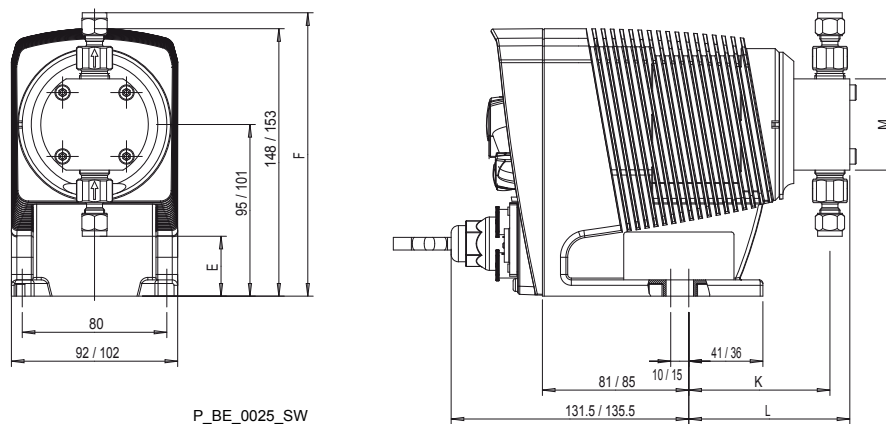


Fig. 19: Dimensional drawing of Beta[®] BT4b/BT5b, SS material version - dimensions in mm

	1000 - 1601	1602 - 1604	0708 - 0220	2504	1008 - 0420	0232
E	33	24.5	-8	31.7	-1.8	-8
F	157	165.5	197.5	170,4	203.3	210
K	78	75	82	72	77	78
L	89	87	97	84	92	95
M	Ø 60	Ø 70	Ø 85	Ø 70	Ø 85	Ø 110