

制动器总成 (二)  
Brake Assembly( II )

## 制动器总成 (二)

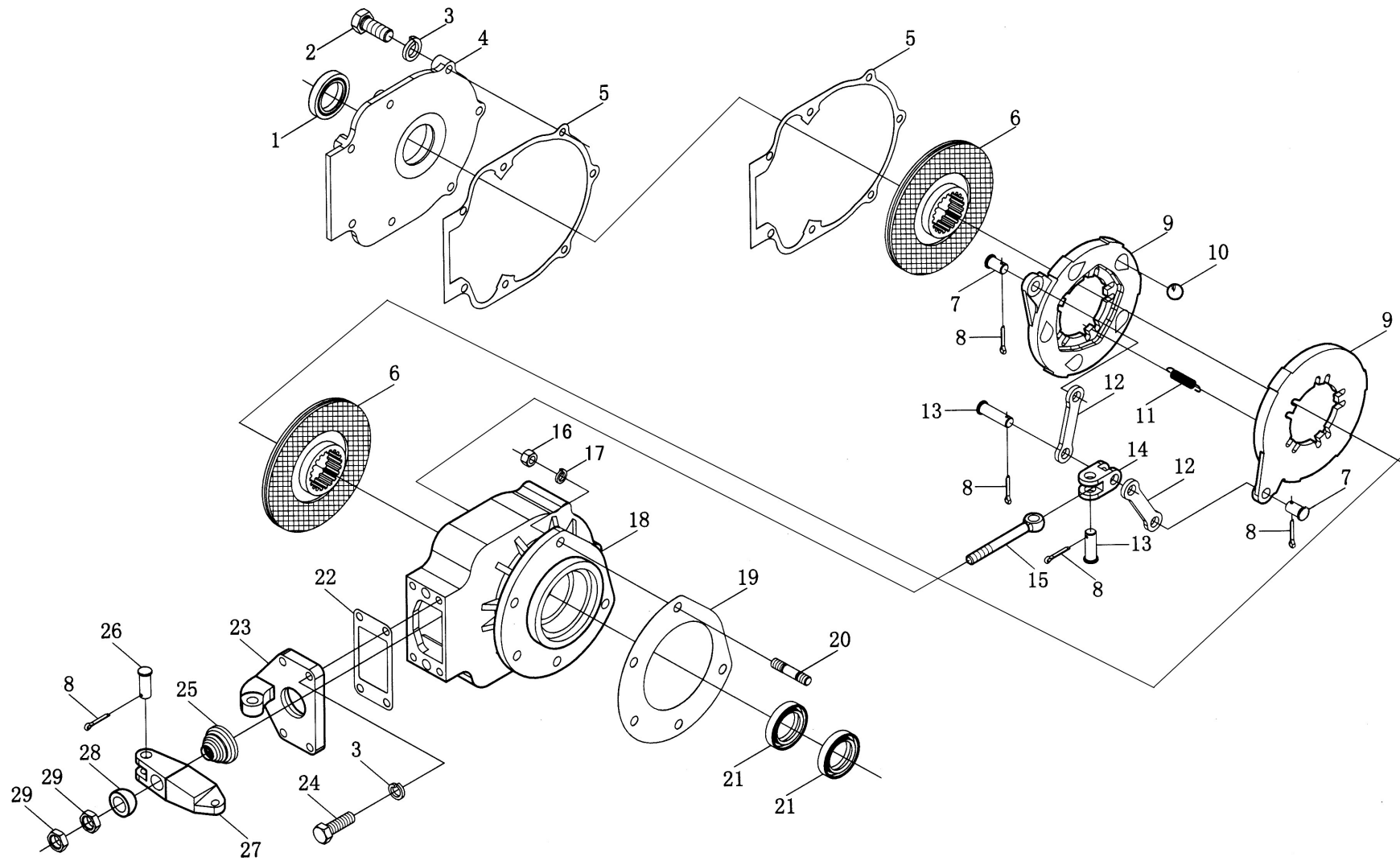
## Brake Assembly (II)

序号 Ser.No.	代号 Part No.	名称	Name	数量 Qty.										
				650	654	700	704	750	754	800	804	850	854	
1	GB/T6172-1986	螺母M12	Nut M12	2	2	2	2	2	2	2	2	2	2	2
2	700.43.117	制动臂圆销	Brake arm pin	1	1	1	1	1	1	1	1	1	1	1
3	GB/T91-1986	销4×26	pin 4×26	5	5	5	5	5	5	5	5	5	5	5
4	GB/T882-1986	销轴B14×45	Clevis pin with head B14×45	1	1	1	1	1	1	1	1	1	1	1
5	700.43.114	左制动器摇臂	Left brake rocker	1	1	1	1	1	1	1	1	1	1	1
6	700.43.019	橡皮罩总成	Rubber cover assembly	1	1	1	1	1	1	1	1	1	1	1
7	GB/T 5783-1986	螺栓M0×35	Bolt M0×35	4	4	4	4	4	4	4	4	4	4	4
8	GB/T93-1987	垫圈10	Washer 10	11	11	11	11	11	11	11	11	11	11	11
9	700.43.118	制动器摇臂支座	Rocker seat ,brake	1	1	1	1	1	1	1	1	1	1	1
10	700.43.139	纸垫	Gasket	1	1	1	1	1	1	1	1	1	1	1
11	HG4-692-1967	油封PD55×85×12	Oil sealing PD55×85×12	2	2	2	2	2	2	2	2	2	2	2
12	GB/T 898-1988	螺柱AGM12-M12×1.25×40	Stud AGM12-M12×1.25×40	5	5	5	5	5	5	5	5	5	5	5
13	700.43.101	制动器座垫片	Gasket ,brake seat	1	1	1	1	1	1	1	1	1	1	1
14	700.43.102	左制动器壳体	Left brake hosing	1	1	1	1			1	1			
	800.43.102	左制动器壳体	Left brake hosing					1	1			1	1	
15	GB/T93-1987	垫圈12	Washer 12	5	5	5	5	5	5	5	5	5	5	5
16	GB/T6171-1986	螺母M12×1.25	Nut M12×1.25	5	5	5	5	5	5	5	5	5	5	5
17	700.43.015	制动摩擦盘总成	Friction disk assembly	2	2	2	2	2	2	2	2	2	2	2
18	GB/T882-1986	销轴B14×26	Clevis pin with head B14×26	2	2	2	2	2	2	2	2	2	2	2
19	700.43.108	制动压盘	Brake pressure disk	2	2	2	2	2	2	2	2	2	2	2
20	GB/T308-1989	钢球22.225(7/8")	Steel ball 22.225(7/8")	5	5	5	5	5	5	5	5	5	5	5
21	700.43.111	制动盘拉杆	Connecting rod , braking disk	2	2	2	2	2	2	2	2	2	2	2
22	700.43.109	制动压盘回位弹簧	Connecting spring ,brake pressure disk	5	5	5	5	5	5	5	5	5	5	5

续. 制动器总成 (二)

Cont. Brake Assembly (II)

序号 Ser.No.	代号 Part No.	名称	Name	数量 Qty.										
				650	654	700	704	750	754	800	804	850	854	
23	700.43.112	制动盘拉杆叉头	Pull rod of braking disk	1	1	1	1	1	1	1	1	1	1	1
24	GB/T882-1986	销轴B14×40	Clevis pin with head B14×40	2	2	2	2	2	2	2	2	2	2	2
25	700.43.113	制动盘拉杆	Pull rod of braking disk	1	1	1	1	1	1	1	1	1	1	1
26	700.43.103	制动器盖调整垫片	Adjusting shim of brake cover	△	△	△	△	△	△	△	△	△	△	△
27	700.43.104	左制动器盖	Left brake cover	1	1	1	1	1	1	1	1	1	1	1
28	GB/T5782-1986	螺栓M10×40	Bolt M10×40	7	7	7	7	7	7	7	7	7	7	7
△适量 Just right amout														



制动器总成 (三)  
Brake Assembly(III)

制动器总成 (三)

Brake Assembly (III)

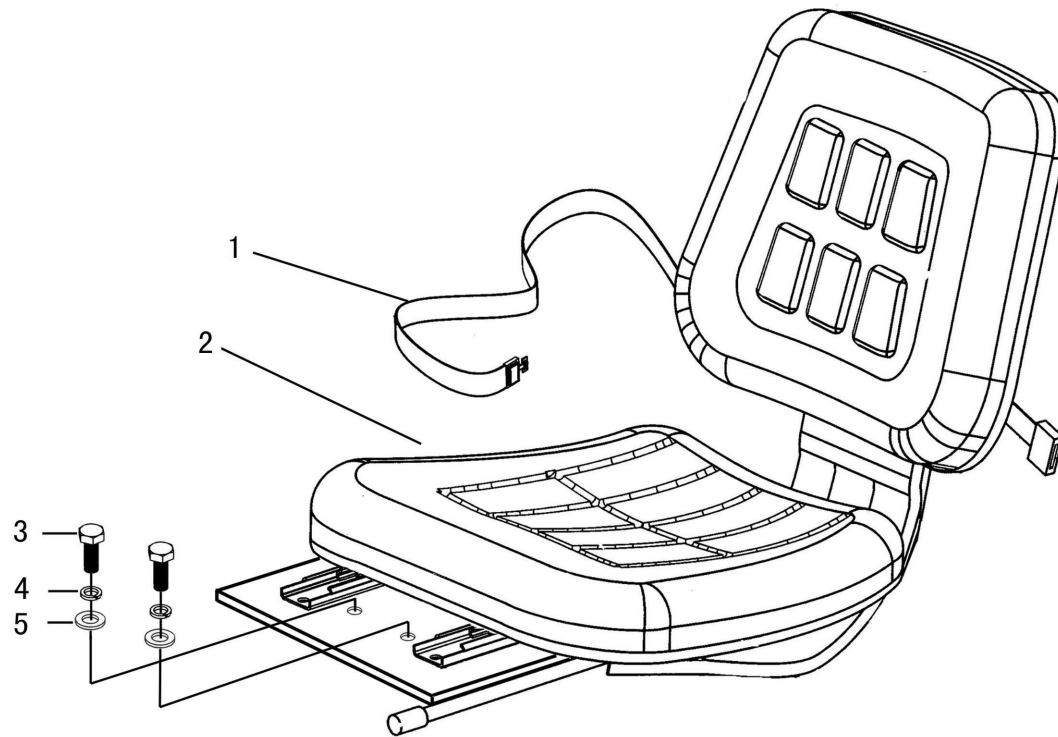
序号 Ser.No.	代号 Part No.	名称	Name	数量 Qty.										
				650	654	700	704	750	754	800	804	850	854	
1	GB/T 9877.1-1996	油封40×62×8	Oil sealing 40×62×8	1	1	1	1	1	1	1	1	1	1	1
2	GB/T5782-1986	螺栓M10×40	Bolt M10×40	7	7	7	7	7	7	7	7	7	7	7
3	GB/T93-1987	垫圈10	Washer 10	11	11	11	11	11	11	11	11	11	11	11
4	700.43.120	右制动器盖	Right brake cover	1	1	1	1	1	1	1	1	1	1	1
5	700.43.103	制动器盖调整垫片	Adjustingh shim of brake cover	△	△	△	△	△	△	△	△	△	△	△
6	700.43.015	制动摩擦盘总成	Friction disk assembly	2	2	2	2	2	2	2	2	2	2	2
7	GB/T882-1986	销轴B14×26	Clevis pin with head B14×26	2	2	2	2	2	2	2	2	2	2	2
8	GB/T91-1986	销4×26	Pin 4×26	5	5	5	5	5	5	5	5	5	5	5
9	700.43.108	制动压盘	Brake pressure disk	2	2	2	2	2	2	2	2	2	2	2
10	GB/T308-1989	钢球22.225(7/8")	Steel ball 22.225(7/8")	5	5	5	5	5	5	5	5	5	5	5
11	700.43.109	制动压盘回位弹簧	Return spring ,brake pressure disk	5	5	5	5	5	5	5	5	5	5	5
12	700.43.111	制动盘拉杆	Connecting rod , brakeing disk	2	2	2	2	2	2	2	2	2	2	2
13	GB/T 882-1986	销轴B14×40	Clevis pin with head B14×40	2	2	2	2	2	2	2	2	2	2	2
14	700.43.112	制动盘拉杆叉头	Pull rod fork of braking disk	1	1	1	1	1	1	1	1	1	1	1
15	700.43.113	制动盘拉杆	Pull rod of braking disk	1	1	1	1	1	1	1	1	1	1	1
16	GB/T6171-1986	螺母M12×1.25	Nut M12×1.25	5	5	5	5	5	5	5	5	5	5	5
17	GB/T93-1987	垫圈12	Washer 12	5	5	5	5	5	5	5	5	5	5	5
18	700.43.119	右制动器壳体	Right brake housing	1	1	1	1			1	1			
	800.43.119	右制动器壳体	Right brake housing					1	1			1	1	
19	700.43.101	制动器座垫片	Gasket ,brake seat	1	1	1	1	1	1	1	1	1	1	1
20	GB/T898-1988	螺栓AGM12-M12×1.2	Stud AGM12-M12×1.25×40	5	5	5	5	5	5	5	5	5	5	5
21	HG4-692-1967	油封PD55×85×12	Oil sealing PD55×85×12	2	2	2	2	2	2	2	2	2	2	2

△适量 Just right amout

续. 制动器总成 (三)

Cont. Brake Assembly (III)

序号 Ser.No.	代号 Part No.	名称	Name	数量 Qty.										
				650	654	700	704	750	754	800	804	850	854	
22	700.43.139	纸垫	Gasket	1	1	1	1	1	1	1	1	1	1	1
23	700.43.118	制动器摇臂支座	Rocket seat ,brake	1	1	1	1	1	1	1	1	1	1	1
24	GB/T5783-1986	螺栓M10×35	Bolt M10×35	4	4	4	4	4	4	4	4	4	4	4
25	700.43.019	橡皮罩总成	Rubber cover assembly	1	1	1	1	1	1	1	1	1	1	1
26	GB/T882-1986	销轴B14×45	Clevis pin with head B14×45	1	1	1	1	1	1	1	1	1	1	1
27	700.43.121	右制动器摇臂	Right brake rocker	1	1	1	1	1	1	1	1	1	1	1
28	700.43.117	制动臂圆销	Braking arm pin	1	1	1	1	1	1	1	1	1	1	1
29	GB/T6172-1986	螺母M12	Nut M12	2	2	2	2	2	2	2	2	2	2	2



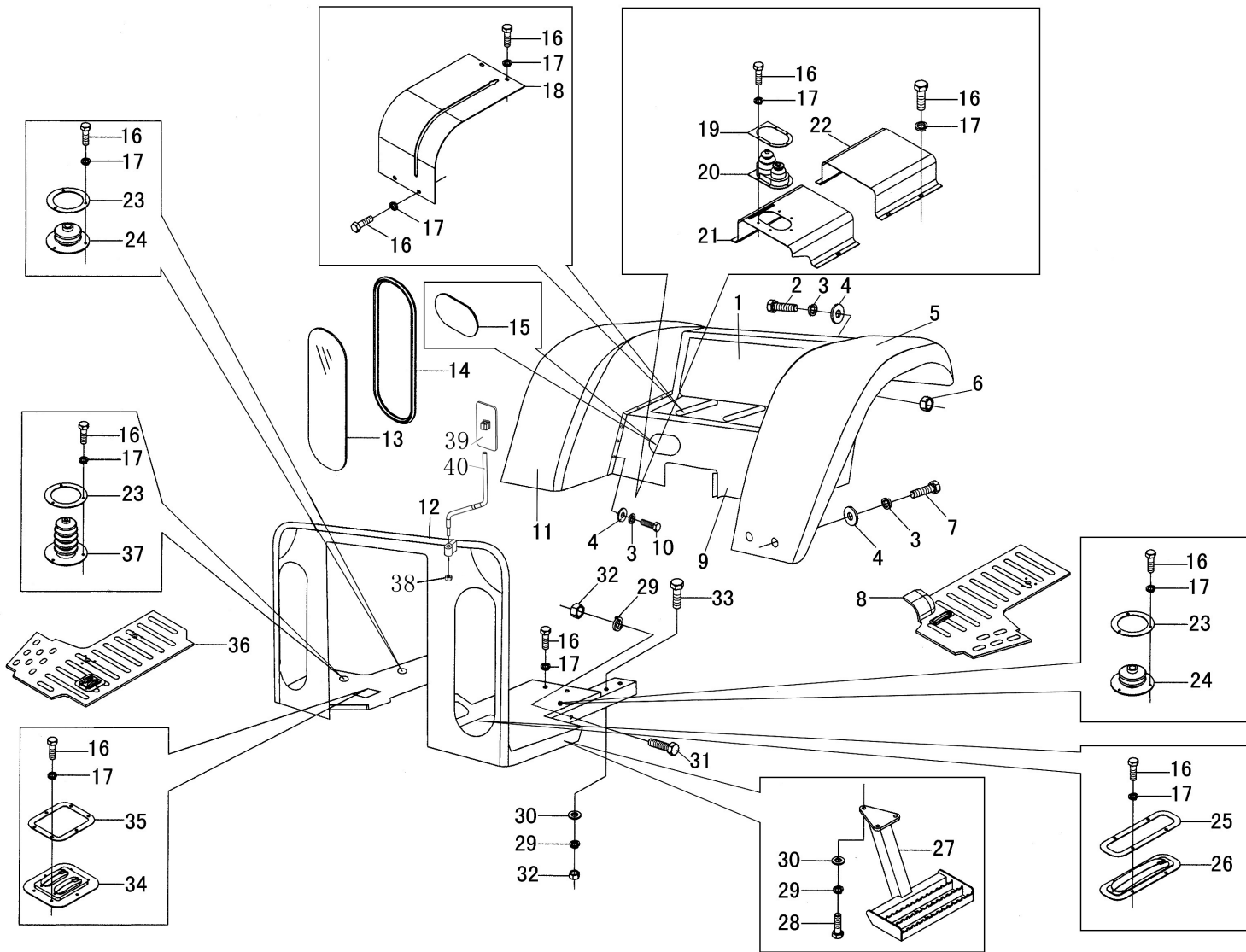
驾驶座总成  
Driver's Seat Assembly

驾驶座总成

Drive's Seat Assembly

序号 Ser.No.	代号 Part No.	名称	Name	数量 Qty.										
				650	654	700	704	750	754	800	804	850	854	
1	160.44.901	安全带(选装)	Safety belt (Selected by user)	1	1	1	1	1	1	1	1	1	1	1
2	160.44.001A	悬浮座椅总成	Seat	1	1	1	1	1	1	1	1	1	1	1
3	GB/T 5783	螺栓M10×20	Bolt M10×20	4	4	4	4	4	4	4	4	4	4	4
4	GB/T 93	垫圈10	Washer 10	4	4	4	4	4	4	4	4	4	4	4
5	GB/T 97.1	垫圈10	Washer 10	4	4	4	4	4	4	4	4	4	4	4





地板车身总成  
Floor Body Assembly

## 地板车身总成

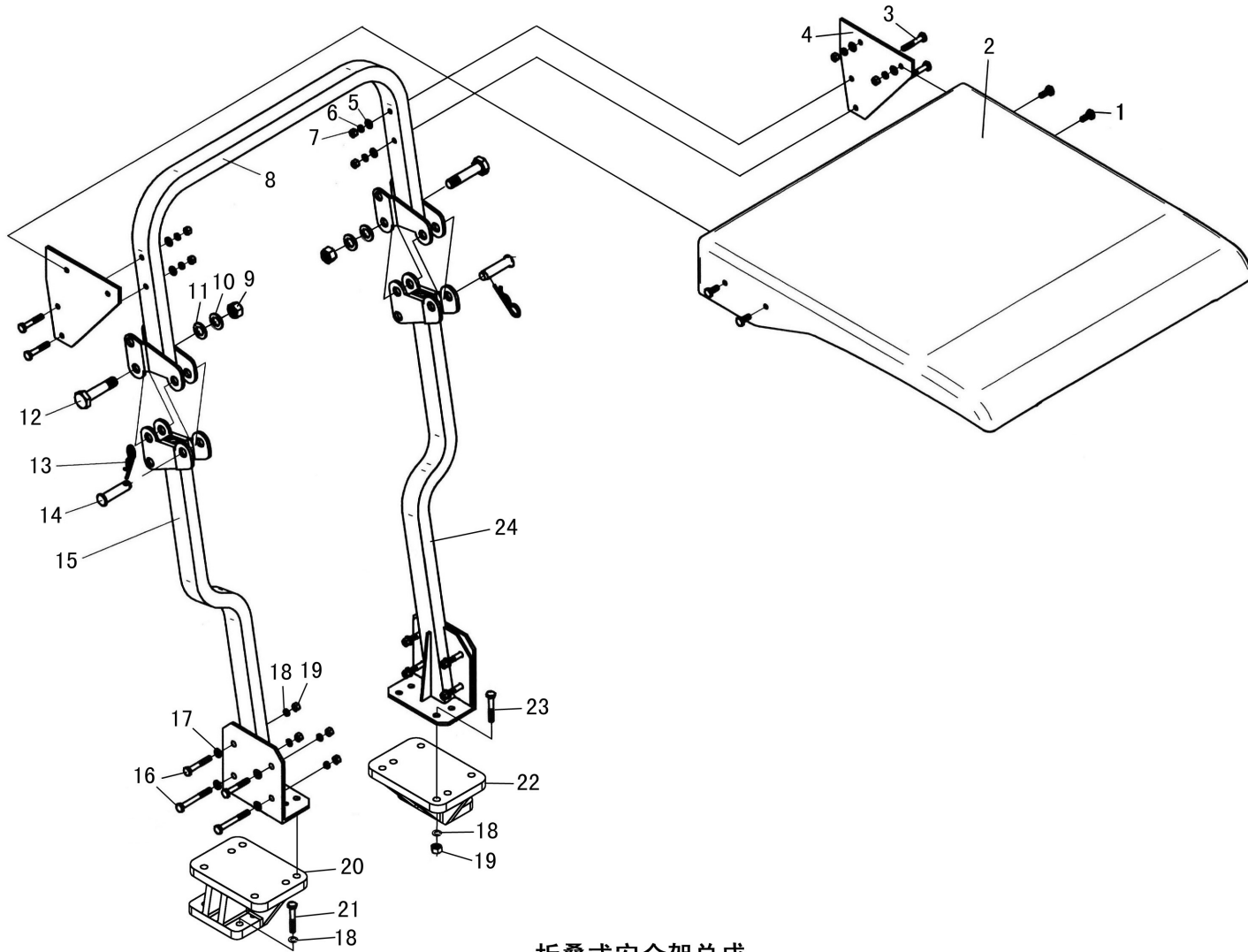
## Floor Body Assembly

序号 Ser.No.	代号 Part No.	名称	Name	数量 Qty.										
				650	654	700	704	750	754	800	804	850	854	
1	700.45.023A	椅板焊合件	Seat plate weldment	1	1	1	1	1	1	1	1	1	1	1
2	GB/T5782	螺栓M8×45	Bolt M8×45	4	4	4	4	4	4	4	4	4	4	4
3	GB/T93	垫圈8	Washer 8	30	30	30	30	30	30	30	30	30	30	30
4	GB/T97.1	垫圈8	Washer 8	30	30	30	30	30	30	30	30	30	30	30
5	700.45.022A	左护板焊合件	Left mud shield	1	1	1	1	1	1	1	1	1	1	1
6	GB/T6170	螺母8	Nut 8	4	4	4	4	4	4	4	4	4	4	4
7	GB/T5783	螺栓M8×30	Bolt M8×30	4	4	4	4	4	4	4	4	4	4	4
8	700.45.147	左地板垫	Left floor cushion	1	1	1	1	1	1	1	1	1	1	1
9	700.45.024A	乘座板焊合件	Sitting plate weldment	1	1	1	1	1	1	1	1	1	1	1
10	700.45.138	螺栓M8×20	Bolt M8×20	22	22	22	22	22	22	22	22	22	22	22
11	700.45.021A	右护板焊合件	Right mud shield	1	1	1	1	1	1	1	1	1	1	1
12	700.45.012-1	地板焊合件	Floor weldment	1	1	1	1	1	1	1	1	1	1	1
13	700.45.133	前下窗玻璃	Glass ,front lower window	2	2	2	2	2	2	2	2	2	2	2
14	700.45.134	前下窗密封条	Packing strip ,front lower window	2	2	2	2	2	2	2	2	2	2	2
15	700.45.231-1	液压输出口密封盖	Seal cover of hydraulic output	1	1	1	1	1	1	1	1	1	1	1
16	GB/T5783	螺栓M6×20	Bolt M6×20	36	36	36	36	36	36	36	36	36	36	36
17	GB/T93	垫圈6	Washer 6	36	36	36	36	36	36	36	36	36	36	36
18	700.45.230	液压手柄限位板	Dust cap of hydraulic control handle	1	1	1	1	1	1	1	1	1	1	1
19	700.45.137	地板防尘罩压板	Pressure plate of floor dust cap	1	1	1	1	1	1	1	1	1	1	1
20	700.45.138	地板防尘罩	Floor dust cap	1	1	1	1	1	1	1	1	1	1	1
21	700.45.135	前地板罩	Front floor cap	1										
	800.45.135	前地板罩	Front floor cap		1	1	1	1	1	1	1	1	1	1
22	700.45.136	后地板罩	Back floor cap	1	1	1	1	1	1	1	1	1	1	1

续. 地板车身总成

Cont. Floor Body Assembly

序号 Ser.No.	代号 Part No.	名称	Name	数量 Qty.										
				650	654	700	704	750	754	800	804	850	854	
23	700.45.139	油门踏板密封套压板	Pressure plate of dust cap ,left front floor	3	3	3	3	3	3	3	3	3	3	3
24	700.45.140	差速锁操纵防尘罩	Dust cap ,different lock control	2	2	2	2	2	2	2	2	2	2	2
25	700.45.142	左前地板坊尘罩压板	Pressure plate of dust cap ,left front floor	1	1	1	1	1	1	1	1	1	1	1
26	700.45.143	左前地板防尘罩	Dust cap of left front floor	1	1	1	1	1	1	1	1	1	1	1
27	700.45.011-1	脚蹬总成	Foot lever assembly	1	1	1	1	1	1	1	1	1	1	1
28	GB/T5783	螺栓M10×30	Bolt M10×30	3	3	3	3	3	3	3	3	3	3	3
29	GB/T93	垫圈10	Washer 10	11	11	11	11	11	11	11	11	11	11	11
30	GB/T97.1	垫圈10	Washer 10	5	5	5	5	5	5	5	5	5	5	5
31	GB/T5782	螺栓M10×60	Bolt M10×60	4	4	4	4	4	4	4	4	4	4	4
32	GB/T6170	螺母10	Nut 10	14	14	14	14	14	14	14	14	14	14	14
33	GB/T5782	螺栓M10×100	Bolt M10×100	4	4	4	4	4	4	4	4	4	4	4
34	700.45.145	右前底板防尘罩	Dust cap of right front base plate	1	1	1	1	1	1	1	1	1	1	1
35	700.45.144	右前底板防尘罩压板	Pressure plate of dust cap ,right front base plate	1	1	1	1	1	1	1	1	1	1	1
36	700.45.148	右地板垫	Rihgt floor sushion	1	1	1	1	1	1	1	1	1	1	1
37	700.45.141	油门踏板密封套	Hexagon head bolt	1	1	1	1	1	1	1	1	1	1	1
38	GB/T889	螺母M10	Nut M10	2	2	2	2	2	2	2	2	2	2	2
39	200E.47.005	后视镜	Rearview Mirror	2	2	2	2	2	2	2	2	2	2	2
40	700.47.702-1	后视镜支撑杆	Supporting rod weldment ,rearview mirror	2	2	2	2	2	2	2	2	2	2	2



折叠式安全架总成  
Foldable Protective Structure

# 折叠式安全架总成

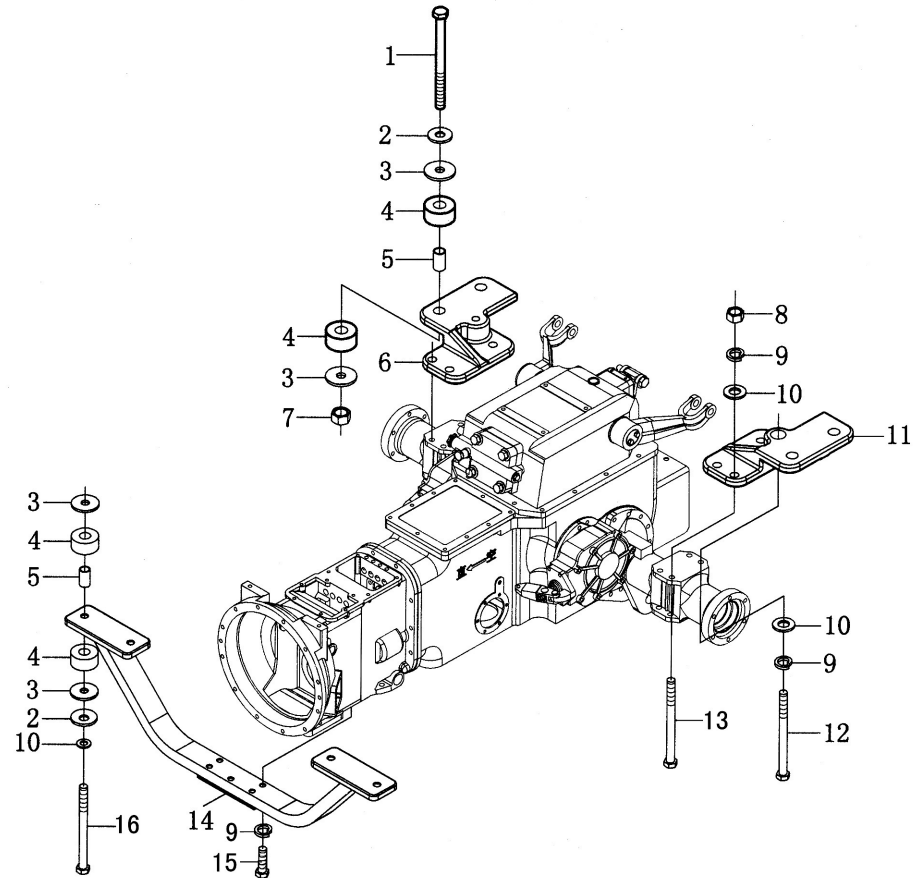
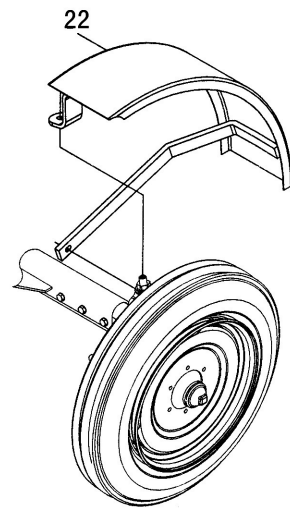
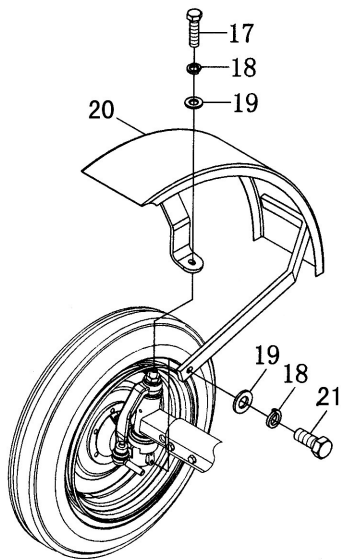
## Foldable Protective Structure

序号 Ser.No.	代号 Part No.	名称	Name	数量 Qty.										
				650	654	700	704	750	754	800	804	850	854	
1	GB/T 5782	螺栓M12×40	Bolt M12×40	4	4	4	4	4	4	4	4	4	4	4
2	700.45.601	遮阳蓬	Canopy	1	1	1	1	1	1	1	1	1	1	1
3	GB/T 5782	螺栓M12×90	Bolt M12×90	4	4	4	4	4	4	4	4	4	4	4
4	700.45.602	遮阳蓬连接板	Connecting plate	2	2	2	2	2	2	2	2	2	2	2
5	GB/T 97.1	垫圈12	Washer 12	8	8	8	8	8	8	8	8	8	8	8
6	GB/T 93	垫圈12	Washer 12	8	8	8	8	8	8	8	8	8	8	8
7	GB/T 6170	螺母M12	Nut M12	8	8	8	8	8	8	8	8	8	8	8
8	700.45.040	安全架上框焊合件	Upper frame weldment	1	1	1	1	1	1	1	1	1	1	1
9	GB/T 6170	螺母M30	Nut M30	2	2	2	2	2	2	2	2	2	2	2
10	GB/T 93	垫圈30	Spring washer 30	2	2	2	2	2	2	2	2	2	2	2
11	GB/T 97.1	垫圈30	Washer 30	2	2	2	2	2	2	2	2	2	2	2
12	700.45.402	螺栓	Bolt	2	2	2	2	2	2	2	2	2	2	2
13	180.45.309	弹簧锁销	Stop pin	2	2	2	2	2	2	2	2	2	2	2
14	700.45.401	销轴	Pin axle	2	2	2	2	2	2	2	2	2	2	2
15	700.45.041	安全架右撑管焊合件	Right support pipe weldment	1	1	1	1	1	1	1	1	1	1	1
16	GB/T 5782	螺栓M16×85	Bolt M16×85	8	8	8	8	8	8	8	8	8	8	8
17	GB/T 97.1	垫圈16	Washer 16	8	8	8	8	8	8	8	8	8	8	8
18	GB/T 93	垫圈16	Spring washer 16	22	22	22	22	22	22	22	22	22	22	22
19	GB/T 6170	螺母M16	Nut M16	16	16	16	16	16	16	16	16	16	16	16
20	700.47.507A	右后连接板	Right rear connecting plate	1	1	1	1	1	1	1	1	1	1	1
21	GB/T5782	螺栓M16×50	Bolt M16×50	6	6	6	6	6	6	6	6	6	6	6
22	700.47.508A	左后连接板	Left rear connecting plate	1	1	1	1	1	1	1	1	1	1	1
23	GB/T 5782	螺栓M16×70	Bolt M16×70	8	8	8	8	8	8	8	8	8	8	8

续. 折叠式安全架总成

Cont. Foldable Protective Structure

序号 Ser.No.	代号 Part No.	名称	Name	数量 Qty.										
				650	654	700	704	750	754	800	804	850	854	
24	700.45.042	安全架左撑管焊合件	Left support pipe weldment	1	1	1	1	1	1	1	1	1	1	1



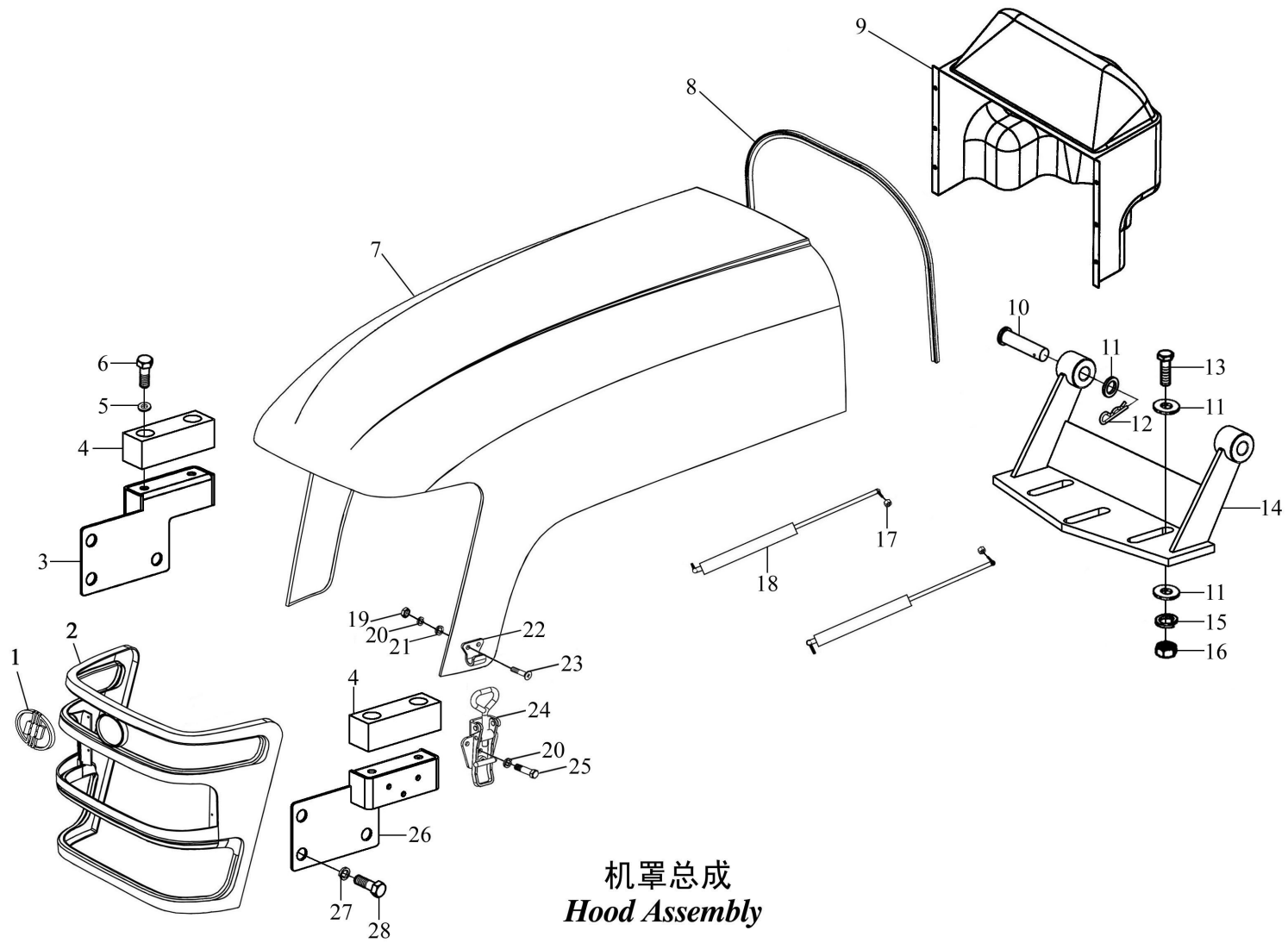
前后连接装置和左右前挡泥板总成  
Fore-and-aft Connecting Mechanism and left/Right Front Mud Guard Assembly

## 前后连接装置和左右前挡泥板总成

## Floor Body Assembly

序号 Ser.No.	代号 Part No.	名称	Name	数量 Qty.										
				650	654	700	704	750	754	800	804	850	854	
1	GB/T5782	螺栓M16×130	Bolt M16×130	4	4	4	4	4	4	4	4	4	4	4
2	GB/T97.1	垫圈16	Washer 16	22	22	22	22	22	22	22	22	22	22	22
3	700.47.504	减震垫片	Dumped washer	16	16	16	16	16	16	16	16	16	16	16
4	700.47.506	减震块	Dumped washer	16	16	16	16	16	16	16	16	16	16	16
5	700.47.505	套管	Sleeve	8	8	8	8	8	8	8	8	8	8	8
6	700.47.507	右后连接板	Connecting bracket ,right rear	1	1	1	1	1	1	1	1	1	1	1
7	GB/T889	锁紧螺母	locking nut	8	8	8	8	8	8	8	8	8	8	8
8	GB/T6170	螺母M16	Nut M16	6	6	6	6	6	6	6	6	6	6	6
9	GB/T93	垫圈16	Single coil spring lock washer	14	14	14	14	14	14	14	14	14	14	14
10	GB/T97.1	垫圈16	Washer 16	22	22	22	22	22	22	22	22	22	22	22
11	700.47.508	左后连接板	Connecting bracket ,left rear	1	1	1	1	1	1	1	1	1	1	1
12	GB/T5782	螺栓M16×190	Bolt M16×190	2	2	2	2	2	2	2	2	2	2	2
13	GB/T5782	螺栓M16×215	Bolt M16×215	6	6	6	6	6	6	6	6	6	6	6
14	700.47.051	U形架总成	U-bracket assembly	1	1	1	1	1	1	1	1	1	1	1
15	GB/T5782	螺栓M16×75	Bolt M16×75	6	6	6	6	6	6	6	6	6	6	6
16	GB/T5782	螺栓M16×150	Bolt M16×150	4	4	4	4	4	4	4	4	4	4	4
17	GB/T5783	螺栓M12×25	Bolt M12×25	2	2	2	2	2	2	2	2	2	2	2
18	GB/T93	垫圈12	Washer 12	4	4	4	4	4	4	4	4	4	4	4
19	GB/T97.1	垫圈12	Washer 12	4	4	4	4	4	4	4	4	4	4	4
20	700.47.022	右前挡泥板焊合件	Right front mud guard weldment	1	1	1	1	1	1	1	1	1	1	1
21	GB/T5783	螺栓M12×30	Bolt M12×30	2	2	2	2	2	2	2	2	2	2	2
22	700.47.021	左前挡泥板焊合件	Left front mud guard weldment	1	1	1	1	1	1	1	1	1	1	1





机罩总成  
Hood Assembly

## 机罩总成

## Hood Assembly

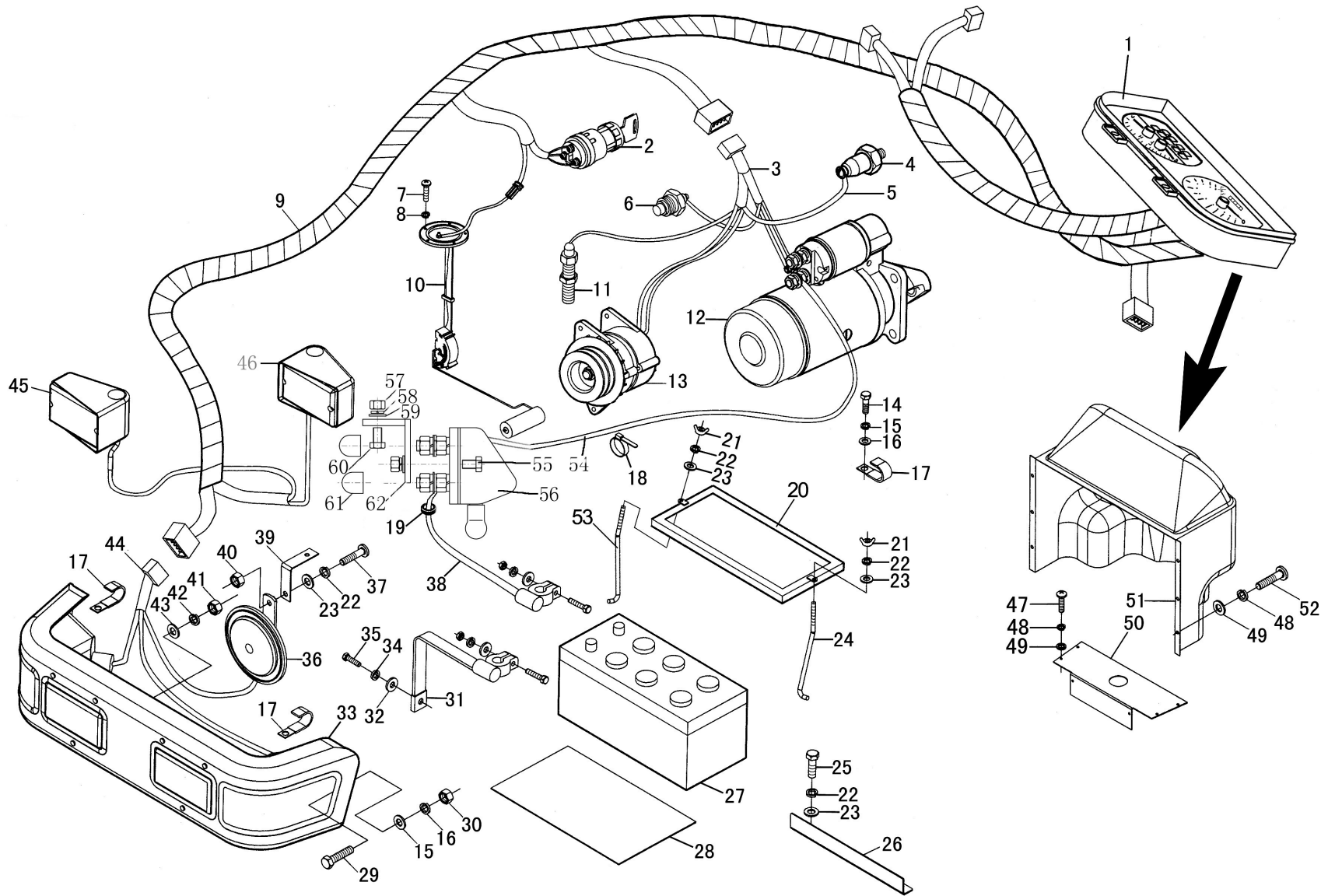
序号 Ser.No.	代号 Part No.	名称	Name	数量 Qty.										
				650	654	700	704	750	754	800	804	850	854	
1	700.47.145-A	产品图案标牌	Trademark Logo	1	1	1	1	1	1	1	1	1	1	1
2	700.47.040	前面罩总成	Front grill assembly	1	1	1	1	1	1	1	1	1	1	1
3	700.47.066	右锁扣支架焊合件	Support weldment ,right lock	1	1	1	1	1	1	1	1	1	1	1
4	700.47.664	减震垫	Damping Cushion	2	2	2	2	2	2	2	2	2	2	2
5	GB/T97.1	垫圈10	Washer 10	4	4	4	4	4	4	4	4	4	4	4
6	GB/T5783	螺栓M10×35	Bolt M10×35	4	4	4	4	4	4	4	4	4	4	4
7	700.47.010	机罩焊合件	Hood weldment	1	1	1	1	1	1	1	1	1	1	1
8		嵌条	Dmbed rubber	△	△	△	△	△	△	△	△	△	△	△
9	700.47.013	仪表板总成	Panel assembly	1	1	1	1	1	1	1	1	1	1	1
10	GB/T882	销轴B16×80	Pin roll B16×80	2	2	2	2	2	2	2	2	2	2	2
11	GB/T97.1	垫圈16	Washer 16	8	8	8	8	8	8	8	8	8	8	8
12	GB/T91	销5×28	Pin 5×28	2	2	2	2	2	2	2	2	2	2	2
13	GB/T5783	螺栓M16×40	Bolt M16×40	3	3	3	3	3	3	3	3	3	3	3
14	700.47.073	机罩连接铰链焊合件	Hood connecting hinge weldment	1	1	1	1	1	1	1	1	1	1	1
15	GB/T93	垫圈16	Washer 16	3	3	3	3	3	3	3	3	3	3	3
16	GB/T6170	螺母M16	Nut M16	3	3	3	3	3	3	3	3	3	3	3
17	GB/T889	螺母M10	Nut M10	2	2	2	2	2	2	2	2	2	2	2
18	YQ10-345-835	气弹簧(450N)	Gas spring(450N)	2	2	2	2	2	2	2	2	2	2	2
19	GB/T6170	螺母M6	Nut M6	4	4	4	4	4	4	4	4	4	4	4
20	GB/T93	垫圈6	Washer 6	10	10	10	10	10	10	10	10	10	10	10
21	GB/T97.1	垫圈6	Washer 6	4	4	4	4	4	4	4	4	4	4	4
22	700.47.650	锁扣板	Lock plate	2	2	2	2	2	2	2	2	2	2	2

△ 适量 Just right amount

机罩总成

Hood Assembly

序号 Ser.No.	代号 Part No.	名称	Name	数量 Qty.									
				650	654	700	704	750	754	800	804	850	854
23	GB/T818	螺钉M6×20	Screw M6×20	4	4	4	4	4	4	4	4	4	4
24	300.47B.010	锁扣总成	Lock assembly	2	2	2	2	2	2	2	2	2	2
25	GB/T5783	螺栓M6×20	Bolt M6×20	6	6	6	6	6	6	6	6	6	6
26	700.47.067	左锁扣支架焊合件	Support weldment ,left lock	1	1	1	1	1	1	1	1	1	1
27	GB/T93	垫圈12	Washer12	6	6	6	6	6	6	6	6	6	6
28	GB/T5783	螺栓M12×20	Bolt M12×20	6	6	6	6	6	6	6	6	6	6



电器系统总成 (一)  
Electrical System Assembly( I )