

后桥总成 (七)

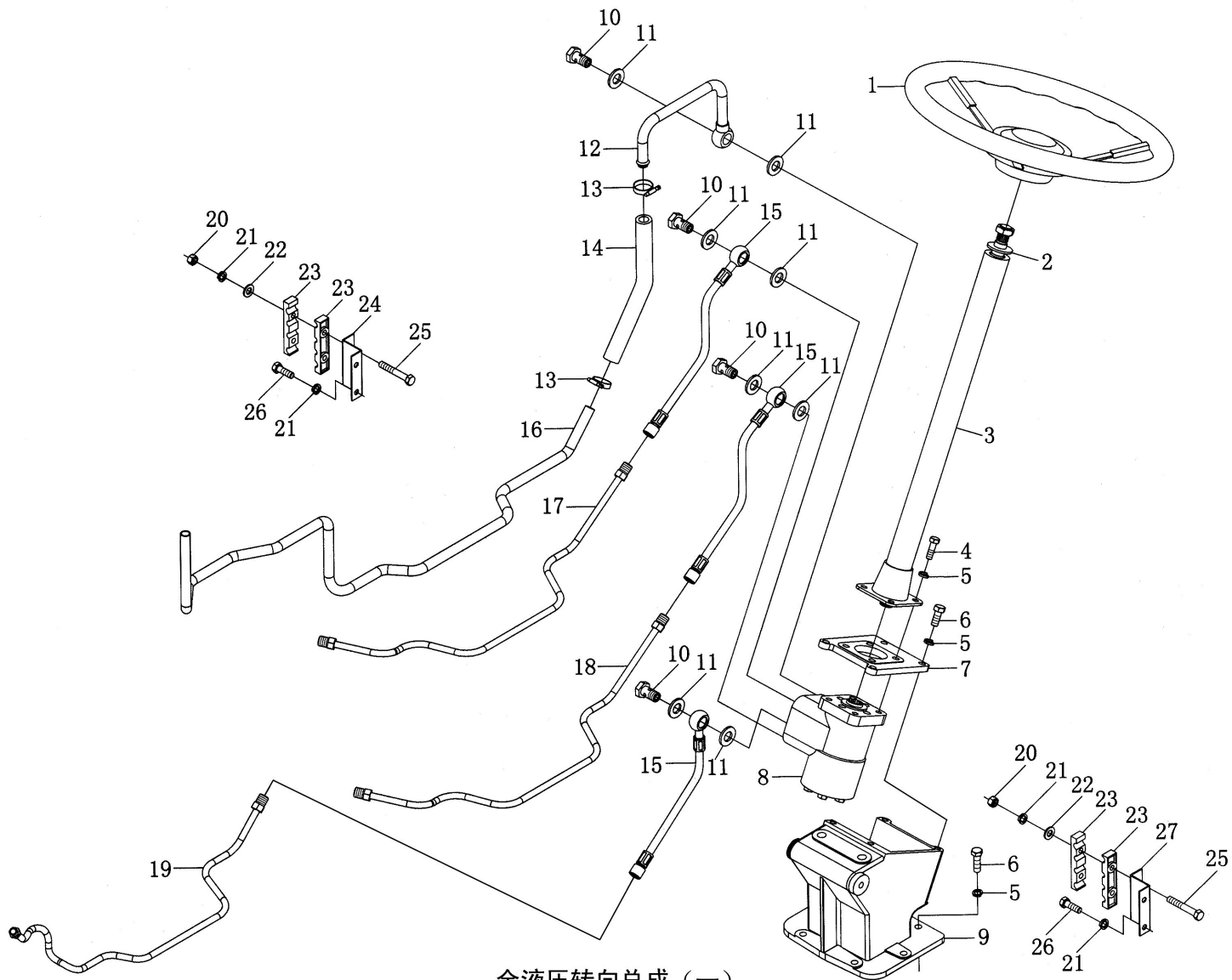
Rear Axle Assembly (VIII)

序号 Ser.No.	代号 Part No.	名称	Name	数量 Qty.										
				650	654	700	704	750	754	800	804	850	854	
24	800.38.320	螺塞	Screw plug		1	1	1	1	1	1	1	1	1	1
25	800.38.317	双速输出摇臂轴	Rock arm shaft,PTO		1	1	1	1	1	1	1	1	1	1
26	800.38.319	衬套	Bush		1	1	1	1	1	1	1	1	1	1
27	800.38.316	双速输出摇臂	Rock arm, PTO		1	1	1	1	1	1	1	1	1	1
28	GB/T283	轴承NJ210	Bearing NJ210		1	1	1	1	1	1	1	1	1	1
29	800.38.031	连接轴焊合件	Connecting shaft		1	1	1	1	1	1	1	1	1	1
30	800.38.031A	连接轴焊合件	Connecting shaft		1	1	1	1	1	1	1	1	1	1
31	GB/T283	轴承NJ207	Bearing NJ207		1	1	1	1	1	1	1	1	1	1
32	800.38.308	啮合齿座	Meshing sleeve seat		1	1	1	1	1	1	1	1	1	1
33	800.38.307	啮合齿套	Meshing sleeve		1	1	1	1	1	1	1	1	1	1
34	800.38.306	动力输出被动齿轮	Gear		1	1	1	1	1	1	1	1	1	1
35	800.38.306A	动力输出被动齿轮	Gear		1	1	1	1	1	1	1	1	1	1
36	800.38.309	轴套	Shaft sleeve		1	1	1	1	1	1	1	1	1	1
37	GB/T812	螺母M48X1.5	nut M48X1.5		1	1	1	1	1	1	1	1	1	1
38	GB/T858	垫圈48	washer 48		1	1	1	1	1	1	1	1	1	1
39	GB/T3452.1	O形圈170*5.3	O-seal ring170*5.3		1	1	1	1	1	1	1	1	1	1
40	800.38.312	轴承座	Bearing housing		1	1	1	1	1	1	1	1	1	1
41	GB/T5783	螺栓M12×40	Bolt M12×40		4	4	4	4	4	4	4	4	4	4
42	GB/T93	垫圈12	Washer 12		4	4	4	4	4	4	4	4	4	4
43	GB/T276	轴承6210	Bearing		1	1	1	1	1	1	1	1	1	1
44	GB/T9877.1	油封FB55X80X8	Oil seal FB55X80X8		2	2	2	2	2	2	2	2	2	2
45	GB/T3452.1	O形圈85*2.65	O-seal ring85*2.65		1	1	1	1	1	1	1	1	1	1
46	800.38.313	轴承盖	Bearing cover		1	1	1	1	1	1	1	1	1	1

后桥总成（七）

Rear Axle Assembly (VIII)

序号 Ser.No.	代号 Part No.	名称	Name	数量 Qty.										
				650	654	700	704	750	754	800	804	850	854	
47	GB/T5783	螺栓M10X25	Bolt M10X25		5	5	5	5	5	5	5	5	5	5
48	GB/T93	垫圈10	Washer 10		4	4	4	4	4	4	4	4	4	4
49	800.38.310	动力输出轮毂	Hub,PTO shaft		1	1	1	1	1	1	1	1	1	1
50	1204.41.126	动力输出轴螺栓	Bolt, PTO shaft		3	3	3	3	3	3	3	3	3	3
51	GB/T889	锁紧螺母M12	Self-locking nut M12		3	3	3	3	3	3	3	3	3	3
52	800.38.311	动力输出轴头	PTO shaft		1	1	1	1	1	1	1	1	1	1
53	800.38.311A	动力输出轴头	PTO shaft		1	1	1	1	1	1	1	1	1	1
54	1204.41.127	动力输出护罩	Protecting sleeve, PTO		1	1	1	1	1	1	1	1	1	1
55	800.38.304	隔套	Sleeve		1	1	1	1	1	1	1	1	1	1
56	GB/T283	轴承NJ2208	Bearing NJ2208		2	2	2	2	2	2	2	2	2	2
57	800.38.303	动力输出双联齿轮	Gear,PTO		1	1	1	1	1	1	1	1	1	1
58	800.38.303A	动力输出双联齿轮	Gear,PTO		1	1	1	1	1	1	1	1	1	1
59	GB/T283	轴承NJ2208	Bearing NJ2208		2	2	2	2	2	2	2	2	2	2
60	800.38.305	惰轮轴	Middle shaft		1	1	1	1	1	1	1	1	1	1
61	GB/T3452.1	O形圈42.5×3.55	O-seal ring42.5×3.55		1	1	1	1	1	1	1	1	1	1
62	800.38.325	限位板	limited plate		1	1	1	1	1	1	1	1	1	1
63	GB/T5783	螺栓M10×20	Bolt M10×20		1	1	1	1	1	1	1	1	1	1

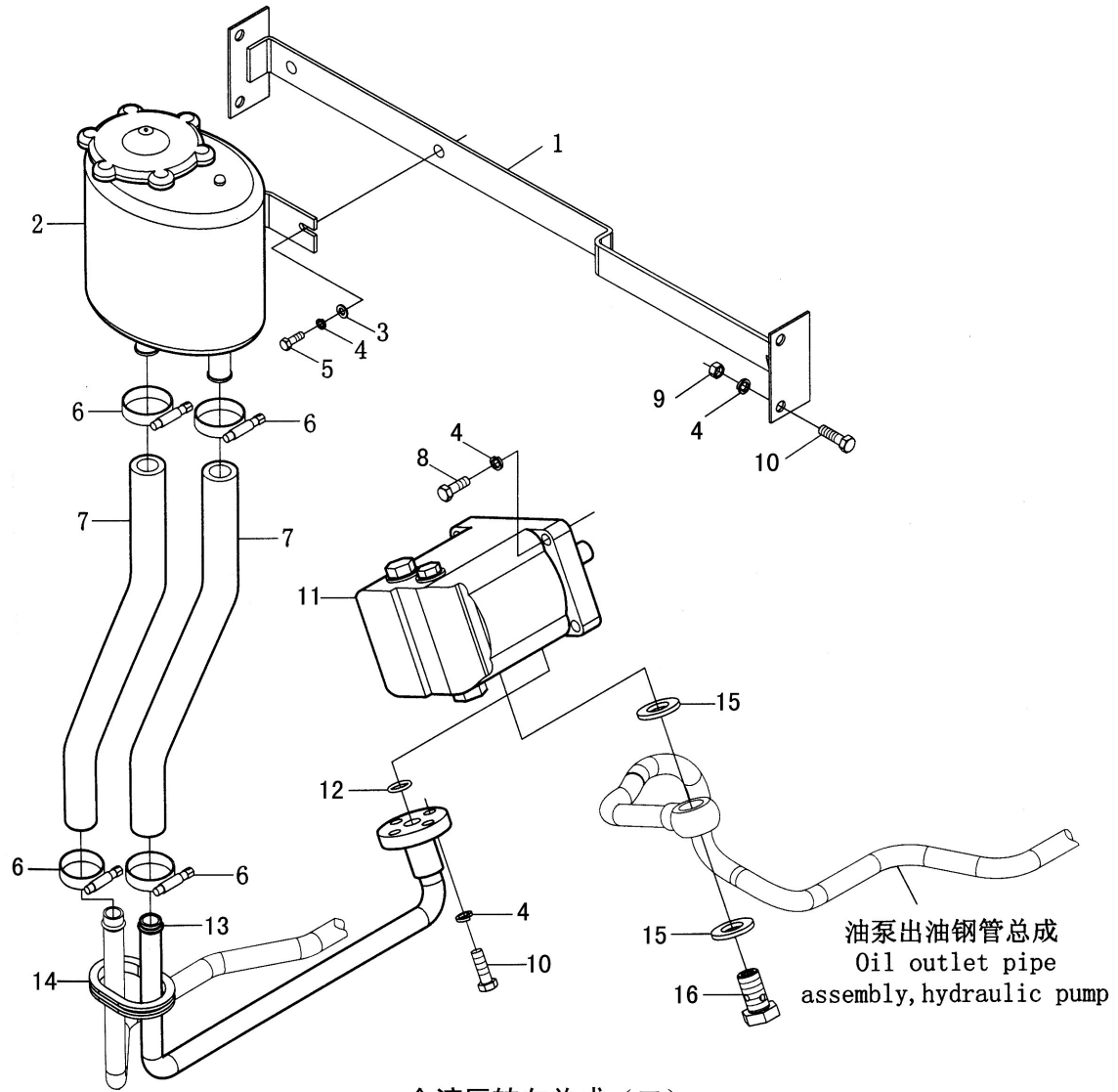


全液压转向总成 (一)
Hydraulic Steering Wheel Assembly(I)

全液压转向总成（一）

Hydraulic Steering Wheel Assembly(I)

序号 Ser.No.	代号 Part No.	名称	Name	数量 Qty.										
				650	654	700	704	750	754	800	804	850	854	
1	160.40.015	方向盘总成	Steering wheel assembly	1	1	1	1	1	1	1	1	1	1	1
2	GB/T97.1	垫圈16	Plain washer 16	4	4	4	4	4	4	4	4	4	4	4
3	700.40.023	转向管柱总成	Steering tube column assembly	1	1	1	1	1	1	1	1	1	1	1
4	GB/T5783	螺栓M10×25	Bolt M10×25	4	4	4	4	4	4	4	4	4	4	4
5	GB/T93	垫圈10	Washer 10	14	14	14	14	14	14	14	14	14	14	14
6	GB/T5783	螺栓M10×30	Bolt M10×30	10	10	10	10	10	10	10	10	10	10	10
7	700.40.123	转向器连接板	Connecting bracket	1	1	1	1	1	1	1	1	1	1	1
8	BZZ1-E100B	转向器及阀块总成	Steering and valve birquet assembly	1	1	1	1	1	1	1	1	1	1	1
9	700.40.122	转向器壳体	Housing of steering	1	1	1	1	1	1	1	1	1	1	1
10	300.54.101	进油管螺钉	Bolt	4	4	4	4	4	4	4	4	4	4	4
11	JB/T982	组合密封垫圈20	Combined sealing washer 20	8	8	8	8	8	8	8	8	8	8	8
12	700.40.019	回油出口管总成	Return outlet pipe assembly	1	1	1	1	1	1	1	1	1	1	1
13	ZBJ15001	喉箍D32	Clamp D32	2	2	2	2	2	2	2	2	2	2	2
14	700.40.137	连接软管	Hose	1	1	1	1	1	1	1	1	1	1	1
15	700.40.013	高压软管总成	High pressure hose assembly	3	3	3	3	3	3	3	3	3	3	3
16	700.40.104	回油钢管	Return steel pipe	1	1	1	1	1	1	1	1	1	1	1
17	700.40.015	右输油钢管总成	Oil feed pipe assembly ,right	1	1	1	1	1	1	1	1	1	1	1
18	700.40.016	左输油钢管总成	Oil feed pipe assembly, left	1	1	1	1	1	1	1	1	1	1	1
19	700.40.018	油泵出油钢管总成	Oil outlet pipe assembly ,hydraulic pump	1	1	1	1	1	1	1	1	1	1	1
20	GB/T6170	螺母M8	Nut M8	4	4	4	4	4	4	4	4	4	4	4
21	GB/T93	垫圈8	Washer 8	8	8	8	8	8	8	8	8	8	8	8
22	GB/T97.1	垫圈8	Washer 8	4	4	4	4	4	4	4	4	4	4	4
23	700.40.119	四孔管夹	4-hole clip	4	4	4	4	4	4	4	4	4	4	4



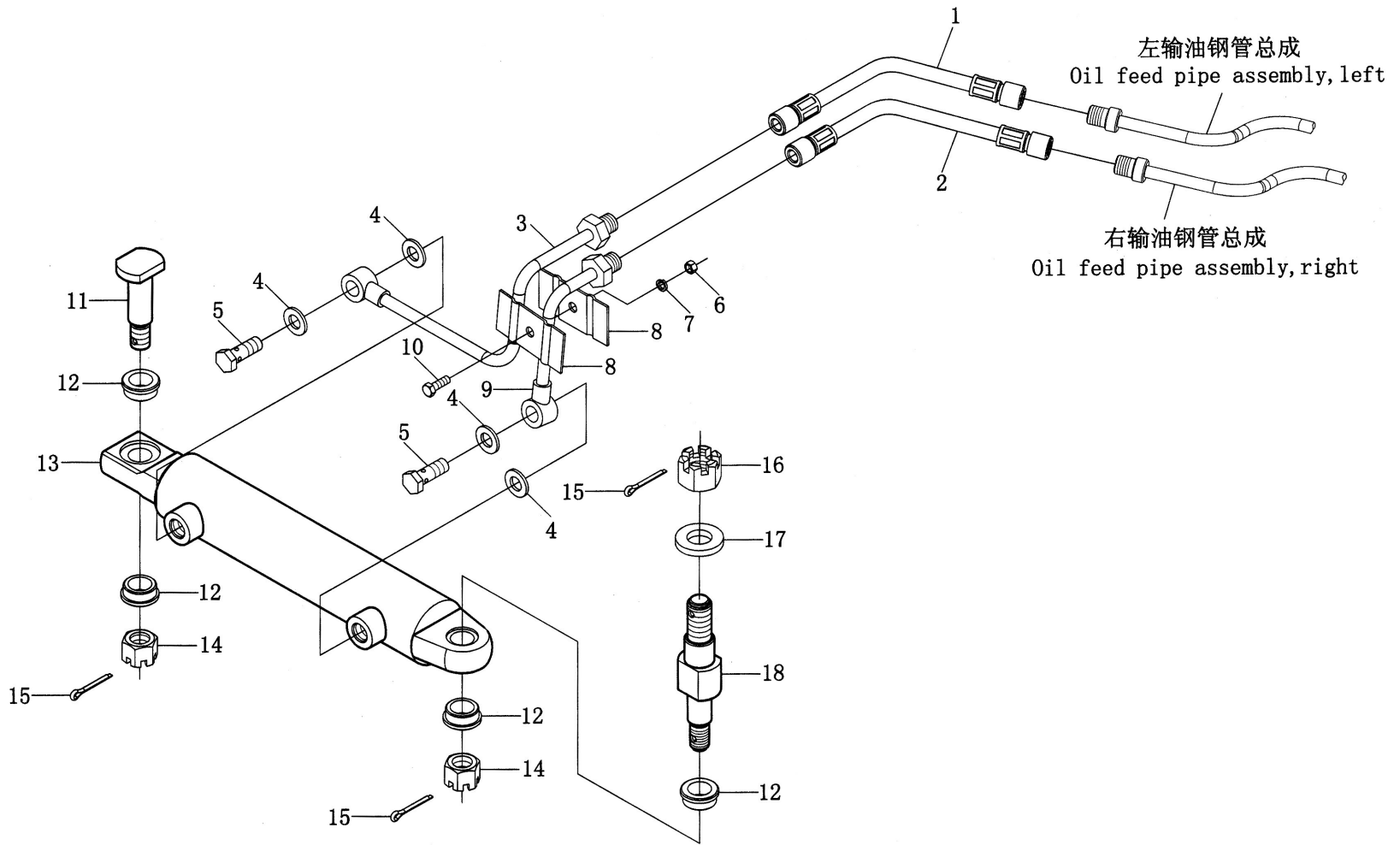
油泵出油管总成
Oil outlet pipe
assembly, hydraulic pump

全液压转向总成 (二)
Hydraulic Steering Wheel Assembly (II)

全液压转向总成 (二)

Hydraulic Steering Wheel Assembly(II)

序号 Ser.No.	代号 Part No.	名称	Name	数量 Qty.										
				650	654	700	704	750	754	800	804	850	854	
1	700.40.040	转向器油箱支架总成	Bracket assembly, steering hydraulic tank	1	1	1	1	1	1	1	1	1	1	1
2	DB160.40.010-1	动力油箱总成	Steering hydraulic tank assembly	1	1	1	1	1	1	1	1	1	1	1
3	GB/T97.1	垫圈8	washer 8	14	14	14	14	14	14	14	14	14	14	14
4	GB/T93	垫圈8	Wahser 8	2	2	2	2	2	2	2	2	2	2	2
5	GB/T5783	螺栓M8×20	Bolt M8×20	2	2	2	2	2	2	2	2	2	2	2
6	ZBJ15001	喉箍D32	Clamp D32	4	4	4	4	4	4	4	4	4	4	4
7	700.40.107	软管	Hose	2	2	2	2	2	2	2	2	2	2	2
8	GB/T5783	螺栓M8×35	Bolt M8×35	4	4	4	4	4	4	4	4	4	4	4
9	GB/T6170	螺母M8	Nut M8	4	4	4	4	4	4	4	4	4	4	4
10	GB/T5783	螺栓M8×25	Bolt M8×25	4	4	4	4	4	4	4	4	4	4	4
11	CBT1-E310HL122R	恒流溢流泵	Constant overflow pump	1	1	1	1	1	1	1	1	1	1	1
12	GB 3452.1	O形密封圈19×2.65	O-seal ring 19×2.65	1	1	1	1	1	1	1	1	1	1	1
13	700.40.023	油泵吸油钢管总成	Oil suction pipe assembly ,hydraulic pump	1	1	1	1	1	1	1	1	1	1	1
14	700.40.146	隔圈	Spacer ring	1	1	1	1	1	1	1	1	1	1	1
15	JB/T 982	组合密封垫圈18	Combined sealing washer 18	2	2	2	2	2	2	2	2	2	2	2
16	160.54.108	铰接螺栓	Bolt	1	1	1	1	1	1	1	1	1	1	1

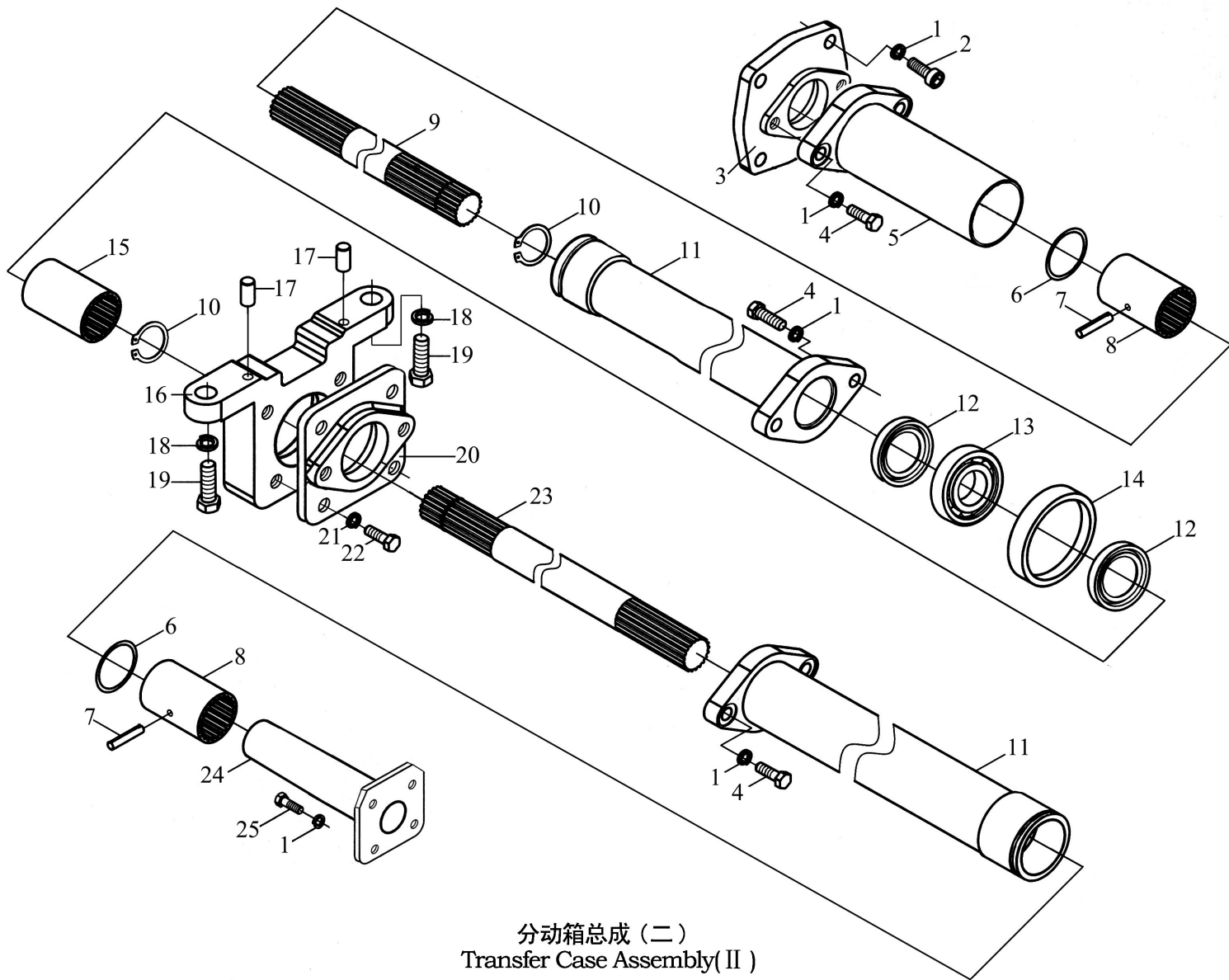


全液压转向总成 (三)
Hydraulic Steering Assembly(III)

全液压转向总成 (三)

Hydraulic Steering Wheel Assembly(III)

序号 Ser.No.	代号 Part No.	名称	Name	数量 Qty.										
				650	654	700	704	750	754	800	804	850	854	
1	700.40.022	油缸左软管总成	Left hose assembly ,hydraulic cylinder	1	1	1	1	1	1	1	1	1	1	1
2	700.40.029	油缸右软管总成	Right hose assembly,hydraulic cylinder	1	1	1	1	1	1	1	1	1	1	1
3	700.40.027	油缸左硬管总成	Left pipe assembly ,hydraulic cylinder	1	1	1	1	1	1	1	1	1	1	1
4	JB/T982-1977	组合密封垫圈16	Combined sealing washer 16	4	4	4	4	4	4	4	4	4	4	4
5	700.40.112	空心螺栓M16×1.5	Hollow bolt M16×1.5	2	2	2	2	2	2	2	2	2	2	2
6	GB/T6170-1986	螺母M8	Nut M8	1	1	1	1	1	1	1	1	1	1	1
7	GB/T93- 1987	垫圈8	Washer 8	1	1	1	1	1	1	1	1	1	1	1
8	700.40.145	双管夹	Double pipe clip	2	2	2	2	2	2	2	2	2	2	2
9	700.40.026	油缸右硬管总成	Right pipe assembly ,hydraulic cylinder	1	1	1	1	1	1	1	1	1	1	1
10	GB/T5783-1986	螺栓M8×25	Bolt M8×25	1	1	1	1	1	1	1	1	1	1	1
11	700.40.115	油缸销轴 (2)	Pin roll (2) ,hydraulic cylinder	1	1	1	1	1	1	1	1	1	1	1
12	700.40.109	支承套	Support tube	4	4	4	4	4	4	4	4	4	4	4
13	700.40.024	转向油缸总成	Steering hydraulic cylinder assembly	1	1	1	1	1	1	1	1	1	1	1
14	GB/T9459-1986	螺母M16×1.5	Nut M16×1.5	2	2	2	2	2	2	2	2	2	2	2
15	GB/T 91-1986	开口销4×40	Split pin 4×40	3	3	3	3	3	3	3	3	3	3	3
16	GB/T 6179-1986	螺母M20	Nut M20	1	1	1	1	1	1	1	1	1	1	1
17	700.40.151	垫圈	Washer	1	1	1	1	1	1	1	1	1	1	1
18	700.40.111	油缸销轴 (1)	Pin roll (1) ,hydraulic cylinder	1	1	1	1	1	1	1	1	1	1	1

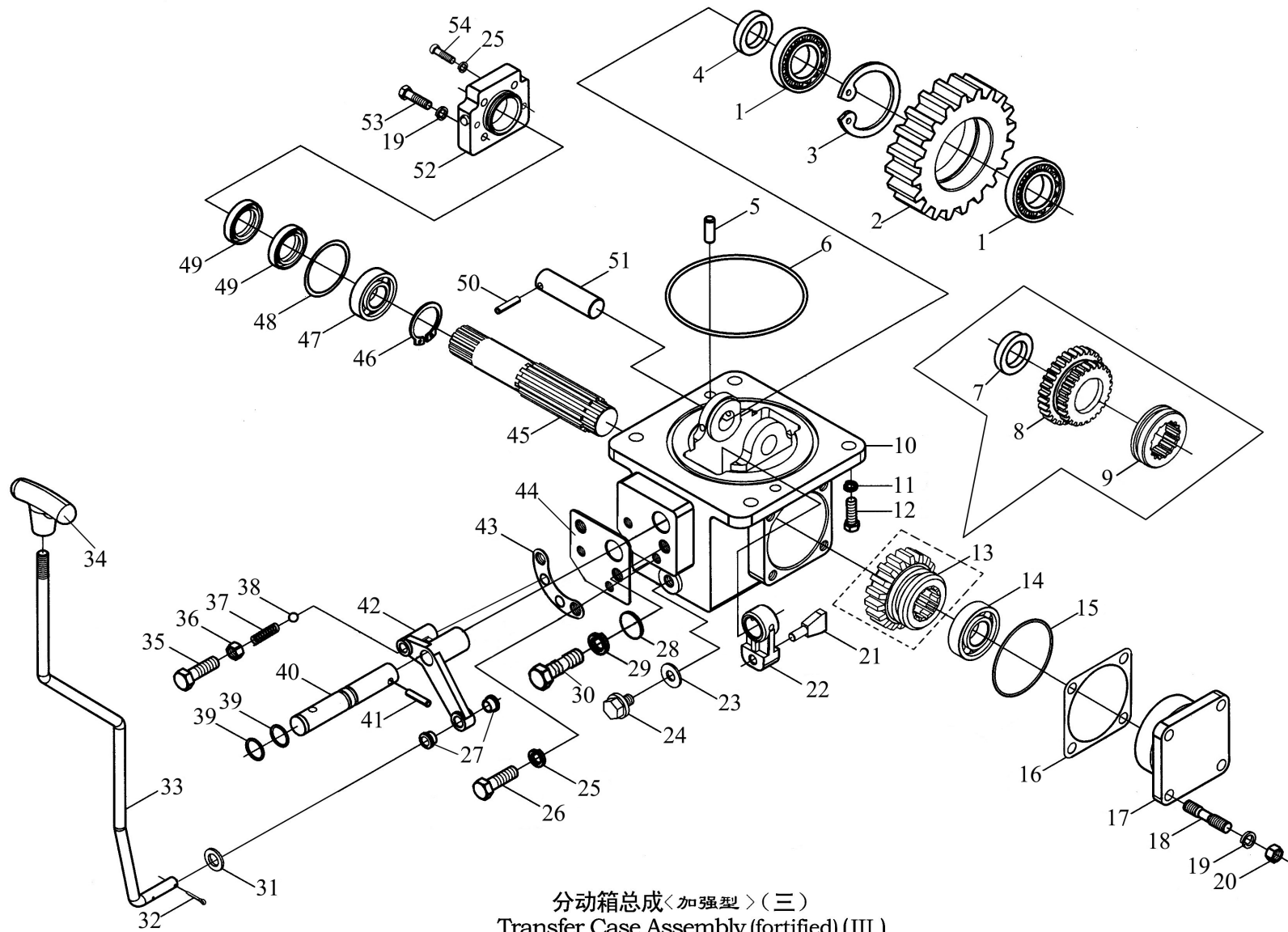


分动箱总成(二)
Transfer Case Assembly(II)

分动箱总成 (一)

Transfer Case Assembly (I)

序号 Ser.No.	代号 Part No.	名称	Name	数量 Qty.									
				650	654	700	704	750	754	800	804	850	854
1	GB/T93	垫圈10	Washer 10		12		12		12		12		12
2	GB/T5783	螺栓M10×30	Bolt M10×30		4		4		4		4		4
3	804.42.123	盖板	Cover board		1		1		1		1		1
4	GB/T5783	螺栓M10×25	Bolt M10×25		6		6		6		6		6
5	804.42.020	前护套焊合件	Front Jacket		1		1		1		1		1
6	GB3452.1	O形密封圈46.2×3.55	O-real ring 46.2×3.55		2		2		2		2		2
7	GB/T879	销 6×40	Spring -type straight pin 6×40		2		2		2		2		2
8	704.42.120	连接花键套	Connecting hub splines		2		2		2		2		2
9	704.42.139	前传动轴	Rront driving shaft		1		1		1		1		1
10	GB/T 894.1	挡圈30	Circlip 30		2		2		2		2		2
11	804.42.021	中护套焊合件	Middle Jacket		2		2		2		2		2
12	GB/T9877.1	油封FB40×55×8	Oil sealing FB40×55×8		2		2		2		2		2
13	GB/T276	轴承6008-2RZ	Bearing 6008-2RZ		1		1		1		1		1
14	704.42.140	轴承垫套	Bearing bush		1		1		1		1		1
15	804.42.119	传动轴花键连接套	Connecting hub splines		1		1		1		1		1
16	804.42.125	中间轴承座	Middle bearing housing		1		1		1		1		1
17	GB/T 119	销 A8×20	Pin A8×20		2		2		2		2		2
18	GB/T93	弹簧垫圈16	Washer 16		2		2		2		2		2
19	GB/T5783	螺栓M16×45	Bolt M16×45		2		2		2		2		2
20	804.42.141	轴承座	Bearing housing		2		2		2		2		2
21	GB/T93	弹簧垫圈8	Washer 8		8		8		8		8		8
22	GB/T5783	螺栓M8×20	Bolt M8×20		8		8		8		8		8
23	704.42.121	后传动轴	Rear driving shaft		1		1		1		1		1



分动箱总成〈加强型〉(三)
Transfer Case Assembly (fortified) (III)

分动箱总成 (二)

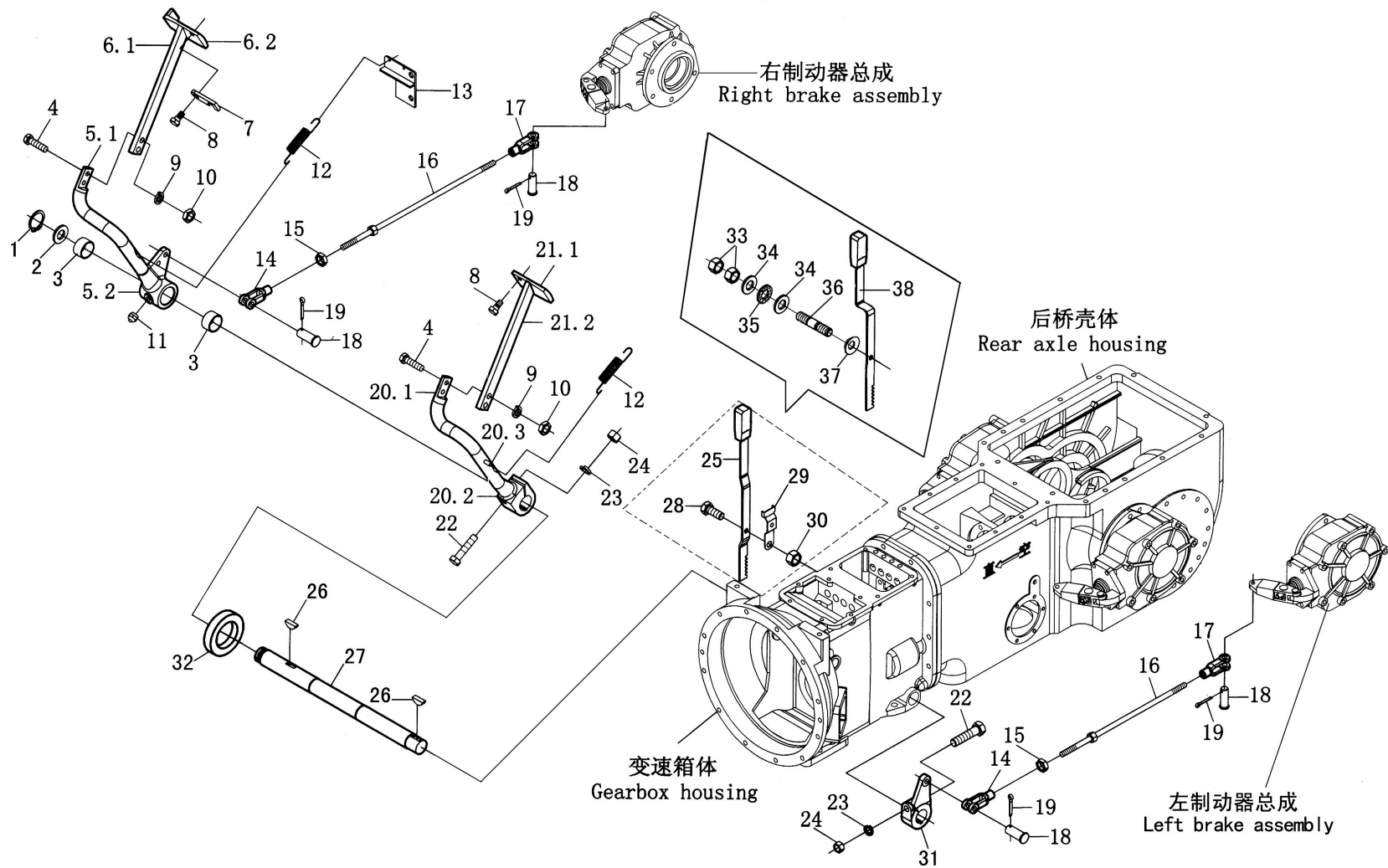
Transfer Case Assembly (II)

序号 Ser.No.	代号 Part No.	名称	Name	数量 Qty.									
				700	704	750	754	750A	754A	800	804	850	854
1	GB/T283	轴承NJ304	Bearing NJ304		1		1		1		1		1
2	804.42.111	分动箱中间齿轮	Middle gear ,transfer case		1		1		1		1		1
3	GB/T893.1	挡圈52	Gear 52		1		1		1		1		1
4	804.42.116	隔套	Spacer bush		1		1		1		1		1
5	GB/T119	销A10×25	Pin A10×25		2		2		2		2		2
6	GB/T3452.1	O形密封圈132×3.55	O-seal ring 132×3.55		1		1		1		1		1
7	804.42.158	隔套	Spacer bush		1		1		1		1		1
8	804.42.115	分动箱被动齿轮	Passive gear ,transfer case		1		1		1		1		1
9	804.42.160	啮合套	Meshing sleeve		1		1		1		1		1
10	804.42.101	分动箱体	Transfer case		1		1		1		1		1
11	GB/T93	垫圈12	Washer 12		5		5		5		5		5
12	GB/T5783	螺栓M12×35	Bolt M12×35		5		5		5		5		5
13	704.42.115-2	分动箱滑动齿轮	Sliding gear ,transfer case		1		1		1		1		1
14	GB/T276	轴承6206	Bearing 6206		1		1		1		1		1
15	GB/T3452.1	O形密封圈75×3.56	O-seal ring 75×3.56		1		1		1		1		1
16	804.42.136	后端纸垫	Gasket		1		1		1		1		1
17	804.42.113	轴承盖	Cover of bearing		1		1		1		1		1
18	GB/T899	螺柱M10-M10×25	Bolt M10-M10×25		4		4		4		4		4
19	GB/T93	垫圈10	Washer 10		8		8		8		8		8
20	GB/T6170	螺母M10	Nut M10		4		4		4		4		4
21	704.42.149	动力输出轴接头	Joint of PTO		1		1		1		1		1
22	704.42.143-1	拨叉座	Gear fork seat		1		1		1		1		1
23	GB/T848	垫圈12	Washer 12		1		1		1		1		1

续. 分动箱总成 (二)

Cont. Transfer Case Assembly (II)

序号 Ser.No.	代号 Part No.	名称	Name	数量 Qty.									
				650	654	700	704	750	754	800	804	850	854
24	JB/T798	螺塞M12×1.5	Plug M12×1.5		1		1		1		1		1
25	GB/T93	垫圈8	Washer 8		2		2		4		2		4
26	704.42.147-1	限位螺栓	Stop bolt		2		2		2		2		2
27	704.42.109	衬套	Bush		2		2		2		2		2
28	GB3452.1	O形密封圈8.5×1.80	O-seal ring 8.5×1.80		1		1		1		1		1
29	GB/T93	垫圈14	Washer 14		1		1		1		1		1
30	804.42.148	止动螺钉	Stop bolt		1		1		1		1		1
31	GB/T97.1	垫圈10	Washer 10		2		2		2		2		2
32	GB/T91	销2×18	Pin 2×18		2		2		2		2		2
33	704.42.144	操纵杆	Control rod		1		1		1		1		1
34	704.42.013	前驱动手柄合件	Handle control lever assembly		1		1		1		1		1
35	GB/T5783	螺栓M14×40	Bolt M14×40		1		1		1		1		1
36	GB/T6170	螺母M14	Nut M14		1		1		1		1		1
37	700.38.165	弹簧	Spring		1		1		1		1		1
38	704.42.156	定位销	Pin		1		1		1		1		1
39	GB3452.1	O形密封圈15×2.65	O-seal ring 15×2.65		2		2		2		2		2
40	804.42.142	拨叉轴			1		1		1		1		1
41	GB/T879	销6×35			2		2		2		2		2
42	704.42.157	摇臂			1		1		1		1		1
43	804.42.155	定位板			1		1		1		1		1
44	704.42.154	连接板			1		1		1		1		1
45	804.42.118	输出轴			1		1		1		1		1
46	GB/T894.1	挡圈35			1		1		1		1		1



制动器总成 (一)
Brake Assembly (I)

制动器总成 (一)

Brake Assembly (I)

序号 Ser.No.	代号 Part No.	名称	Name	数量 Qty.										
				650	654	700	704	750	754	800	804	850	854	
1	GB/T895.2	轴用钢丝挡圈30	Roundwire snap ring for shaft 30	1	1	1	1	1	1	1	1	1	1	1
2	GB/T 97.1	垫圈30	Washer 30	1	1	1	1	1	1	1	1	1	1	1
3	700.43.127	右踏板杆衬套	Right pedal rod bush	2	2	2	2	2	2	2	2	2	2	2
4	GB/T27	铰制孔用螺栓M8×35	Bolt M8×35	4	4	4	4	4	4	4	4	4	4	4
5.1	700.43.145	右制动踏板杆	Brake pedal rod ,rihgt	1										
	800.43.145	右制动踏板杆	Brake pedal rod ,rihgt		1	1	1	1	1	1	1	1	1	1
5.2	700.43.147	右制动踏板座	Brake pedal seat ,right	1										
	800.43.147	右制动踏板座	Brake pedal seat ,right		1	1	1	1	1	1	1	1	1	1
6.1	700.43.149	制动踏板连接杆	Brake pedal ocnecting rod	1	1	1	1	1	1	1	1	1	1	1
6.2	700.43.141	右制动踏板	Brake pedal , right	1	1	1	1	1	1	1	1	1	1	1
7	700.43.130	联锁板	Interlock plate	1	1	1	1	1	1	1	1	1	1	1
8	700.43.132	螺钉	Bolt	2	2	2	2	2	2	2	2	2	2	2
9	GB/T93	垫圈8	Washer 8	4	4	4	4	4	4	4	4	4	4	4
10	GB/T6172	螺母M8	Nut M8	4	4	4	4	4	4	4	4	4	4	4
11	GB/T1152	油杯M10×1	Oil cup M10×1	1	1	1	1	1	1	1	1	1	1	1
12	700.43.125	制动踏板回位弹簧	Return spring of brake pedal	2	2	2	2	2	2	2	2	2	2	2
13	700.43.023	回位弹簧固定板焊合件※	Brakcet weldment,return spring	1										
	800.43.023	回位弹簧固定板焊合件※	Brakcet weldment,return spring		1	1	1	1	1	1	1	1	1	1
14	700.43.134	右旋连接叉	Right hand connecting fork	2	2	2	2	2	2	2	2	2	2	2
15	GB/T6170	螺母M10	Nut M10	2	2	2	2	2	2	2	2	2	2	2
16	700.43.013	制动长拉杆焊合件	Brake long pull rod unit	2	2	2	2	2	2	2	2	2	2	2
17	700.43.152	左旋连接叉	Left hand conecting fork	2	2	2	2	2	2	2	2	2	2	2

※不装气刹装置时用 Specific for without pneumatic brak

续. 制动器总成 (一)

Cont. Brake Assembly (I)

序号 Ser.No.	代号 Part No.	名称	Name	数量 Qty.										
				650	654	700	704	750	754	800	804	850	854	
18	GB/T882	销轴B10×32	Clevis pin with head B10×32	4	4	4	4	4	4	4	4	4	4	4
19	GB/T91	销3.2×20	Pin 3.2×20	4	4	4	4	4	4	4	4	4	4	4
20.1	700.43.146	左制动踏板杆	Brake pedal rod ,left	1										
	800.43.146	左制动踏板杆	Brake pedal rod ,left		1	1	1	1	1	1	1	1	1	1
20.2	700.43.148	左制动踏板座	Brake pedal connecting rod	1	1	1	1	1	1	1	1	1	1	1
20.3	GB/T119	销D6×40	Pin D6×40	1	1	1	1	1	1	1	1	1	1	1
21.1	700.43.144	左制动踏板	Brake pedal ,left	1	1	1	1	1	1	1	1	1	1	1
21.2	700.43.149	制动踏板连接杆	Brake pedal conecting rod	1	1	1	1	1	1	1	1	1	1	1
22	GB/T5782	螺栓M12×70	Bolt M12×70	2	2	2	2	2	2	2	2	2	2	2
23	GB/T93	垫圈12	Washer 12	2	2	2	2	2	2	2	2	2	2	2
24	GB/T6170	螺母M12	Nut M12	2	2	2	2	2	2	2	2	2	2	2
25	700.43.022	停车锁板总成	Parking lock plate	1	1	1	1	1	1	1	1	1	1	1
26	GB/T1099	半圆键6×10×25	Woodruff key 6×10×25	2	2	2	2	2	2	2	2	2	2	2
27	700.43.124	制动踏板轴	Brake pedal shaft	1										
	800.43.124	制动踏板轴	Brake pedal shaft		1	1	1	1	1	1	1	1	1	1
28	GB/T5783	螺栓M12×25	Bolt M12×25	1	1	1	1	1	1	1	1	1	1	1
29	700.43.136	弹簧片	Spring piece	1	1	1	1	1	1	1	1	1	1	1
30	GB/T6172	螺母M12	Nut M12	1	1	1	1	1	1	1	1	1	1	1
31	700.43.123	制动踏板左摇臂	Left rocker of brake pedal	1	1	1	1	1	1	1	1	1	1	1
32	800.43.155	隔套	Bush		1	1	1	1	1	1	1	1	1	1
33	GB/T6172	螺母M12	Nut M12		2	2	2	2	2	2	2	2	2	2
34	GB/T899	螺柱M12×35	Stud M12×35		1	1	1	1	1	1	1	1	1	1
35	800.43.022	停车锁板总成	Parking lock plate		1	1	1	1	1	1	1	1	1	1

