

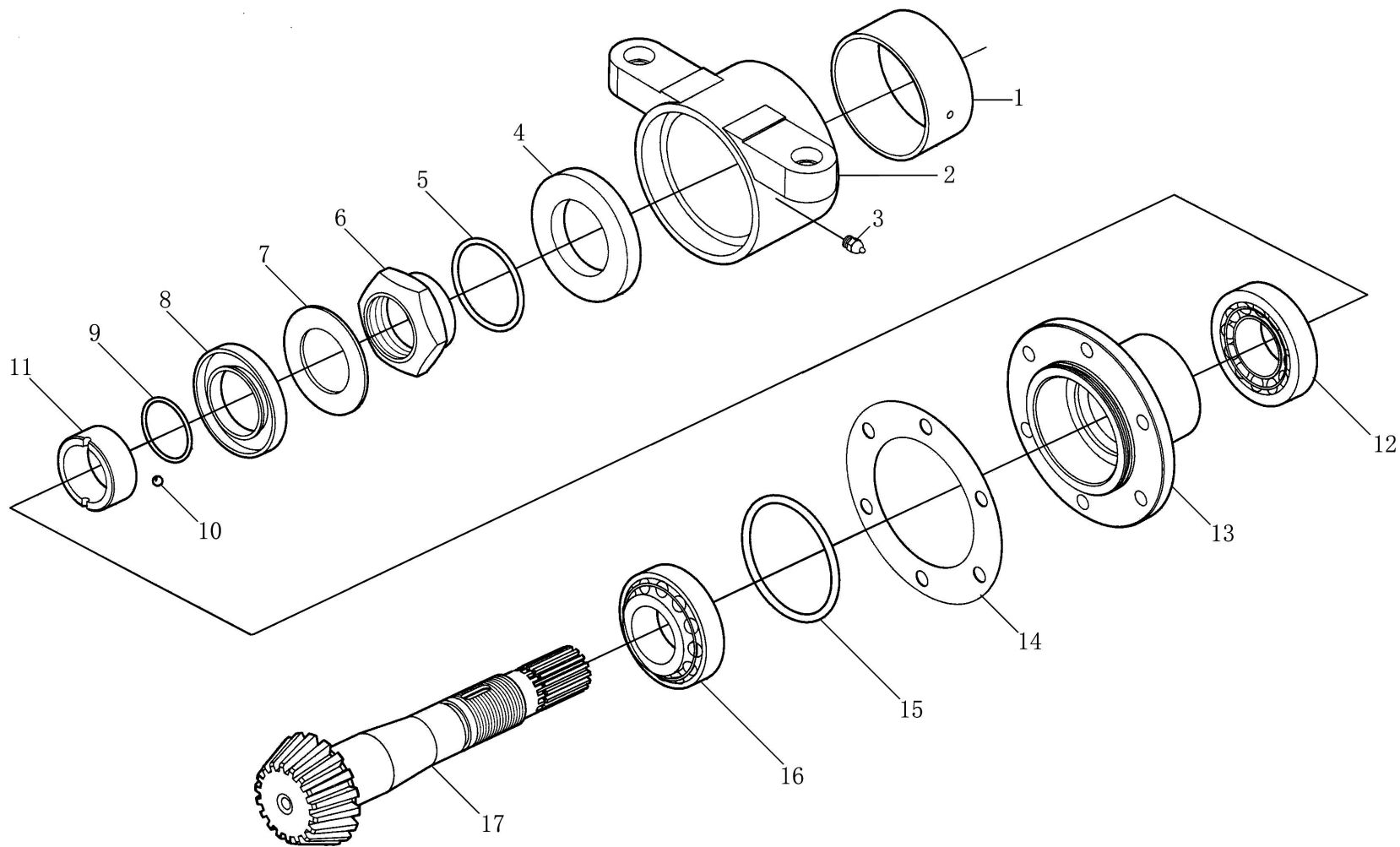
前驱动桥总成（四）
Front Driving Axle Assembly (IV)

前驱动桥总成(四)

Front Driving Axle Assembly(IV)

序号 Ser.No.	代号 Part No.	名称	Name	数量 Qty.									
				650	654	700	704	750	754	800	804	850	854
1	GB/T 5783	螺栓M10×25	Bolt M10×25		8		8		8		8		8
2	GB/T 93	垫圈10	Washer 10		8		8		8		8		8
3	704.31.140	轴承座	Bearing housing		2		2		2		2		2
4	704.31.139	调整垫片	Adjusting shim		△		△		△		△		△
5	GB/T 297	轴承30209	Bearing 30209		2		2		2		2		2
6	GB/T 93	垫圈12	Washer 12		10		10		10		10		10
7	GB/T 5783	螺栓M12×35	Bolt M12×35		10		10		10		10		10
8	704.31.138	差速器支座	Differential support		1		1		1		1		1
9	704.31.191	被动圆锥齿轮螺栓	Bolt for driven conical gear		10		10		10		10		10
10	704.31.142	从动圆锥大齿轮	Driven conical gear,big		1		1		1		1		1
11	GB/T 119	销A6×50	Pin A6×50		1		1		1		1		1
12	704.31.148	差速器壳	Differential housing		1		1		1		1		1
13	GB/T 9459	螺母M10×1	Nut M10×1		10		10		10		10		10
14	GB/T91	开口销2×10	Split 2×10		10		10		10		10		10
15	704.31.147	半轴齿轮止退垫圈	Thrust washer of semiaxle gear		△		△		△		△		△
16	704.31.146	半轴齿轮	Semiaxle gear		2		2		2		2		2
17	704.31.144	行星齿轮止退垫圈	Thrust washer of planetary gear		△		△		△		△		△
18	704.31.145	行星齿轮	Planetary gear		2		2		2		2		2
19	704.31.143	行星轴	Planetary shaft		1		1		1		1		1
20													
21													
22													

△ 适量 Just right amout

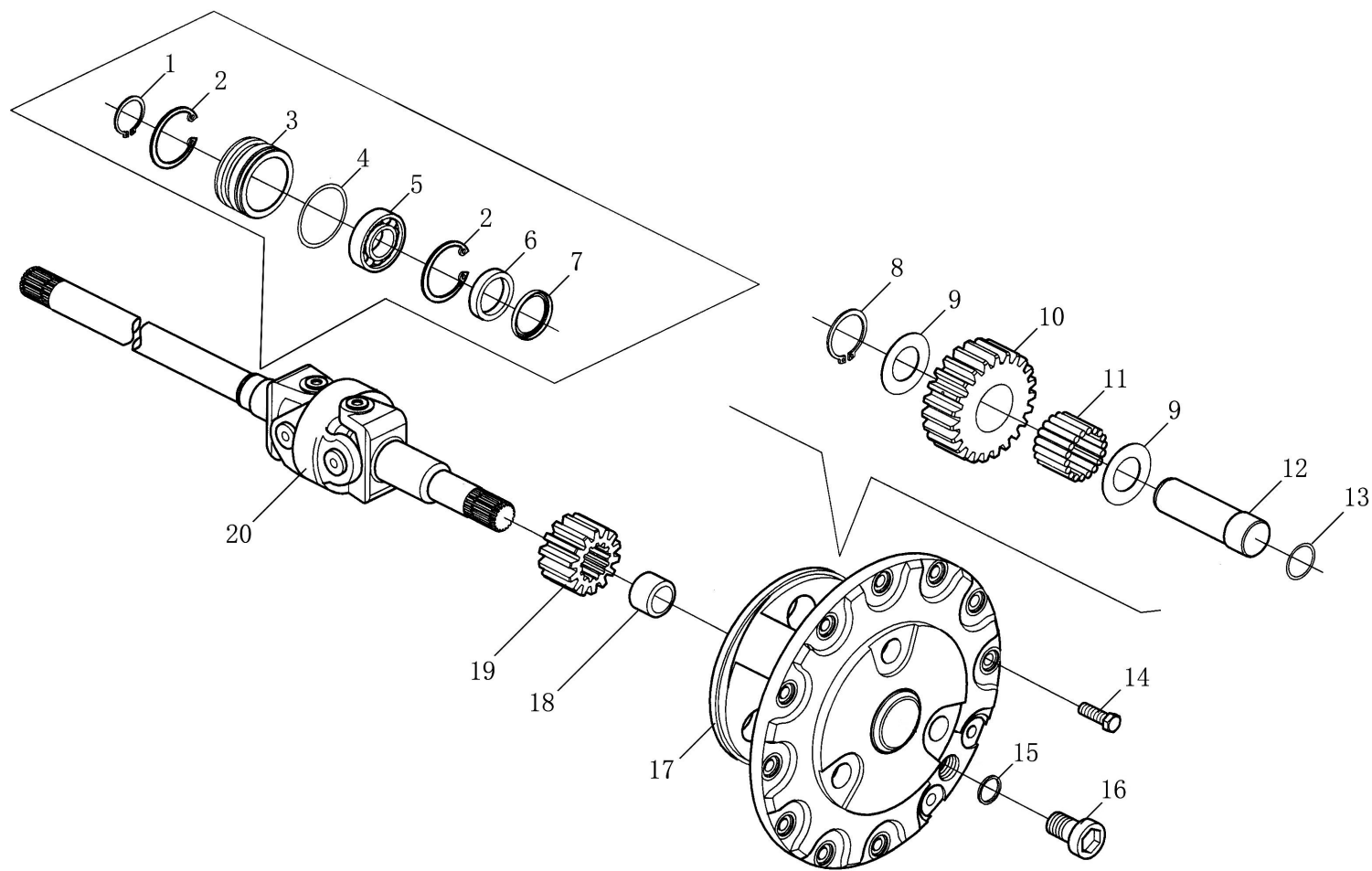


前驱动桥总成(五)
Front Driving Axle Assembly(V)

前驱动桥总成(五)

Front Driving Axle Assembly(V)

序号 Ser.No.	代号 Part No.	名称	Name	数量 Qty.									
				650	654	700	704	750	754	800	804	850	854
1	704.31.170	后衬套	Rear sleeve		1		1		1		1		1
2	704.31.171	后摆轴轴承座	Bearing housing of rear swing shaft		1		1		1		1		1
3	GB/T 1152	油杯M10×1	Oil cup M10×1		1		1		1		1		1
4	704.31.150	后骨架油封	Rear skeleton oil sealing		1		1		1		1		1
5	704.31.152	后摆轴防尘罩	Dust cap for rear swing shaft		1		1		1		1		1
6	704.31.159	锁紧螺母	Locking nut		1		1		1		1		1
7	704.31.157	隔圈	Spacer ring		1		1		1		1		1
8	JB/T2600	油封SG50×72×12	Oil sealing SG50×72×12		1		1		1		1		1
9	GB/T3452.1	O形密封圈31.5×1.8	O-seal ring 31.5×1.8		1		1		1		1		1
10	GB/T308	钢球5	Steel ball 5		1		1		1		1		1
11	704.31.153	隔套	Spacer sleeve		1		1		1		1		1
12	GB/T297	轴承32207	Tapered roller bearing 32207		1		1		1		1		1
13	704.31.154	主动圆锥齿轮轴承座	Bearing housing of drive conical gear		1		1		1		1		1
14	704.31.156	调整垫片	Adjusting shim		△		△		△		△		△
15	GB/T3452.1	O形密封圈103×3.55	O-seal ring 103×3.55		1		1		1		1		1
16	GB/T297	轴承30308	Tapered roller bearing 30308		1		1		1		1		1
17	704.31.155	主动圆锥齿轮	Driving conical gear		1		1		1		1		1
△ 适量 Just right amount													

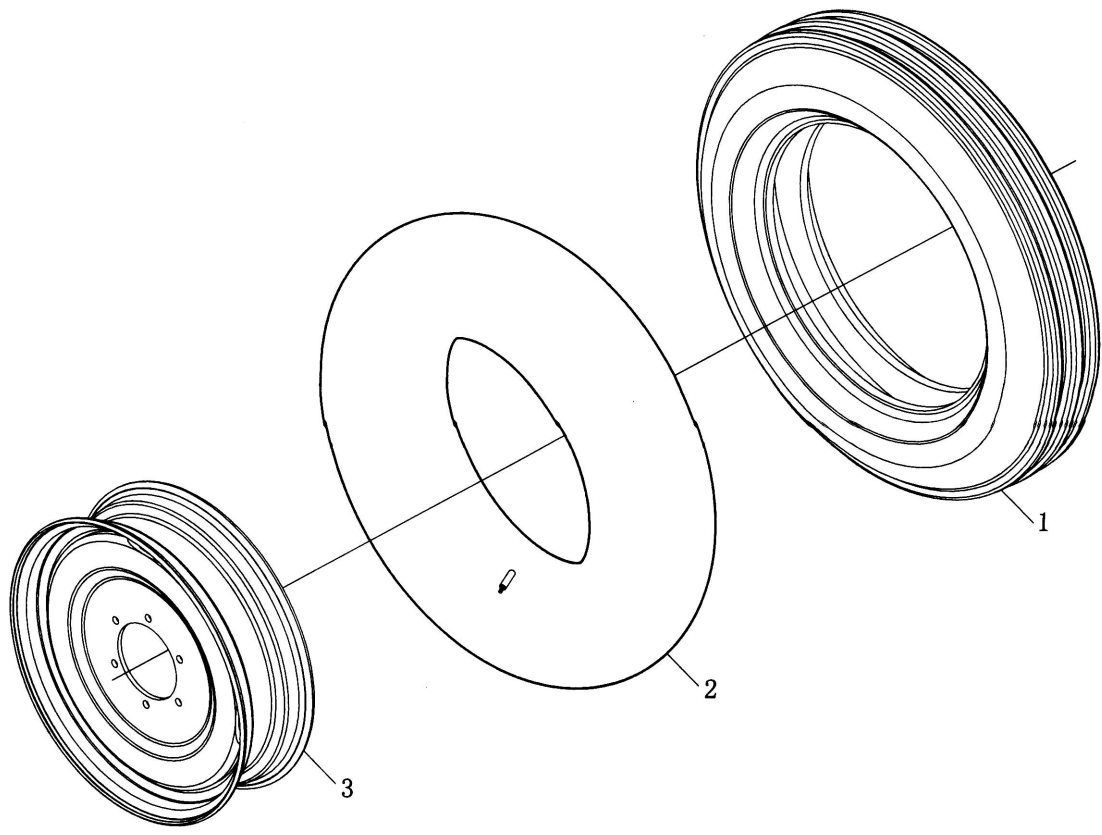


前驱动桥总成(六)
Front Driving Axle Assembly(VI)

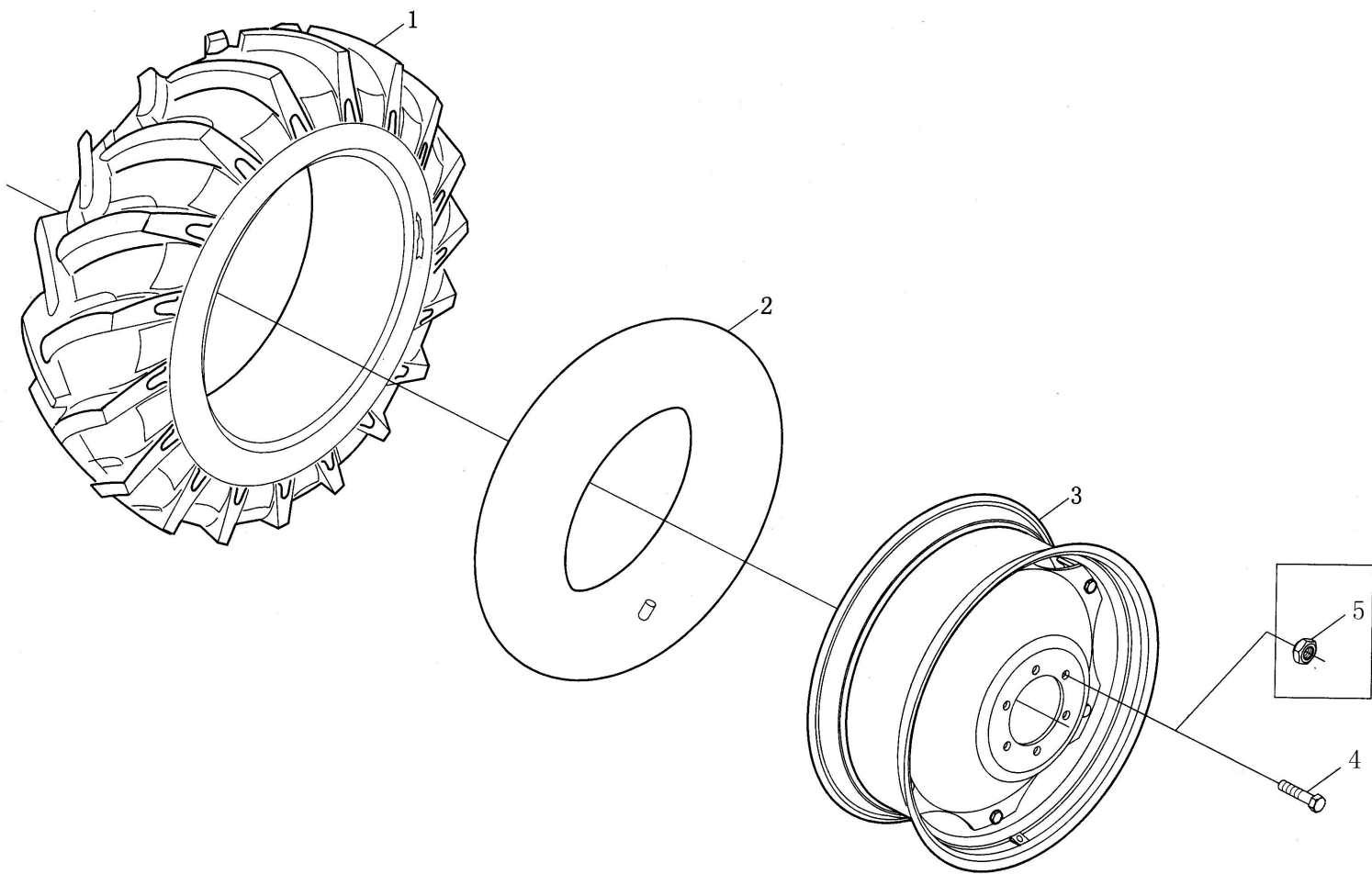
前驱动桥总成(六)

Front Driving Axle Assembly(VI)

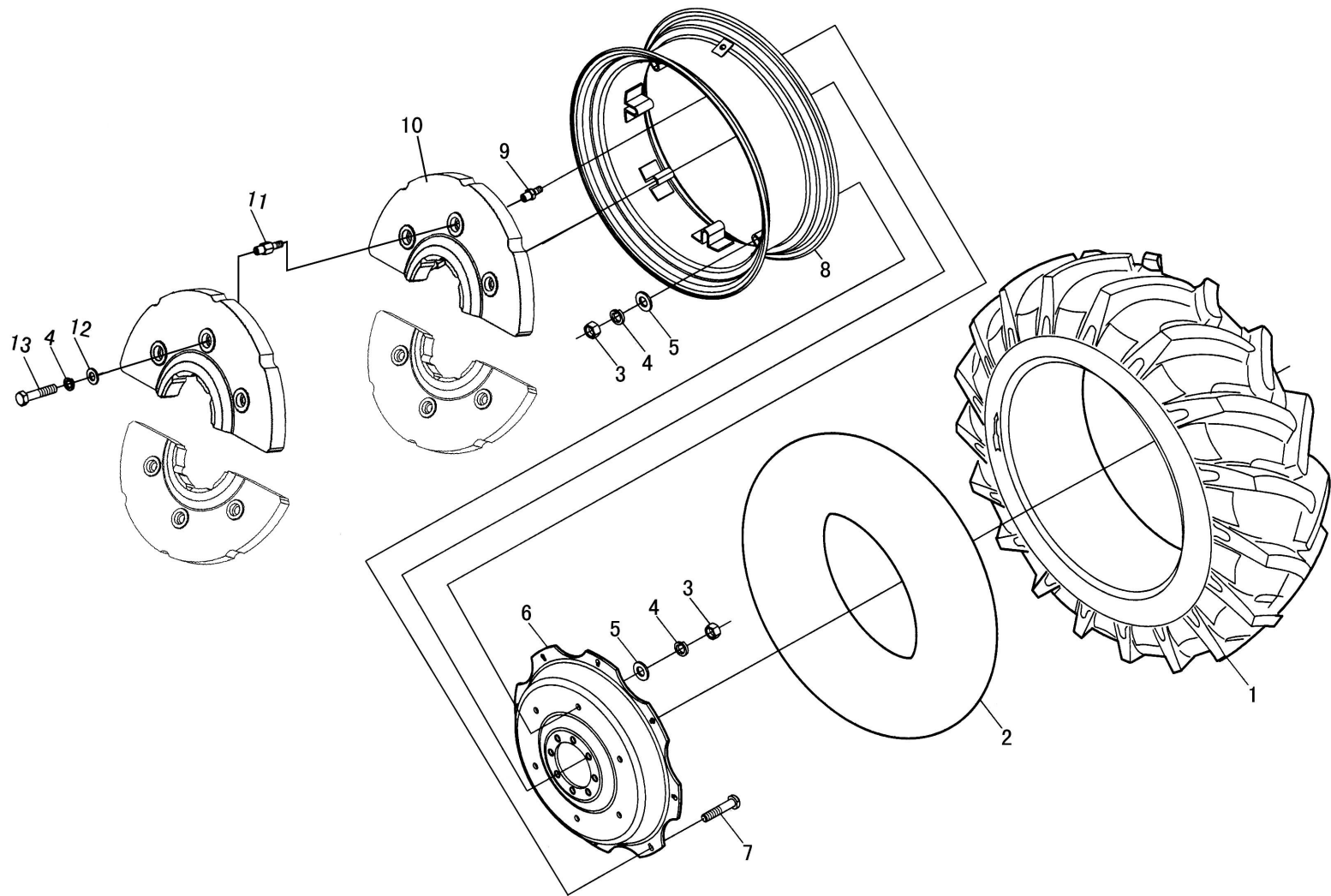
序号 Ser.No.	代号 Part No.	名称	Name	数量 Qty.									
				650	654	700	704	750	754	800	804	850	854
1	GB/T894.1	挡圈30	Circlip for shaft 30		2		2		2		2		2
2	GB/T893.1	挡圈55	Circlip for hole 55		2		2		2		2		2
3	704.31.116	前轴衬套	Sleeve for front shaft		2		2		2		2		2
4	GB/T3452.1	O形密封圈69×3.55	O-seal ring 69×3.55		2		2		2		2		2
5	GB/T276	轴承6006	Tapered roller bearing 6006		2		2		2		2		2
6	JB/T2600	油封SD35×55×11	Oil sealing SD35×55×11		2		2		2		2		2
7	704.31.117	防尘罩	Dust cap		2		2		2		2		2
8	GB/T894.1	挡圈22	Circlip for shaft 22		6		6		6		6		6
9	704.31.124	行星轮垫片	Washer for planetary gear		12		12		12		12		12
10	704.31.102	行星轮	Planetary gear		6		6		6		6		6
11	GB/T309	滚针5×25.8	Needle 5×25.8		102		102		102		102		102
12	704.31.125	行星齿轮轴	Planetary shaft		6		6		6		6		6
13	GB/T3452.1	O形密封圈20×1.8	O-seal ring 20×1.8		6		6		6		6		6
14	GB/T5786	螺栓M10×1.25×30	Bolt M10×1.25×30		20		20		20		20		20
15	JB/T982	组合密封垫圈20	Washer 20		2		2		2		2		2
16	704.31.137	螺塞M20×1.5	Plug M20×1.5		2		2		2		2		2
17	704.31.141	行星架	Planetary frame		1		1		1		1		1
18	704.31.120	衬套	Sleeve		2		2		2		2		2
19	704.31.107	太阳轮	Central main gear		2		2		2		2		2
20	704.31.012	万向传动轴总成	Cardan transmission shaft assembly		2		2		2		2		2



前轮总成
Front Wheel Assembly
43



前驱动轮总成
Front Driving Wheel Assembly

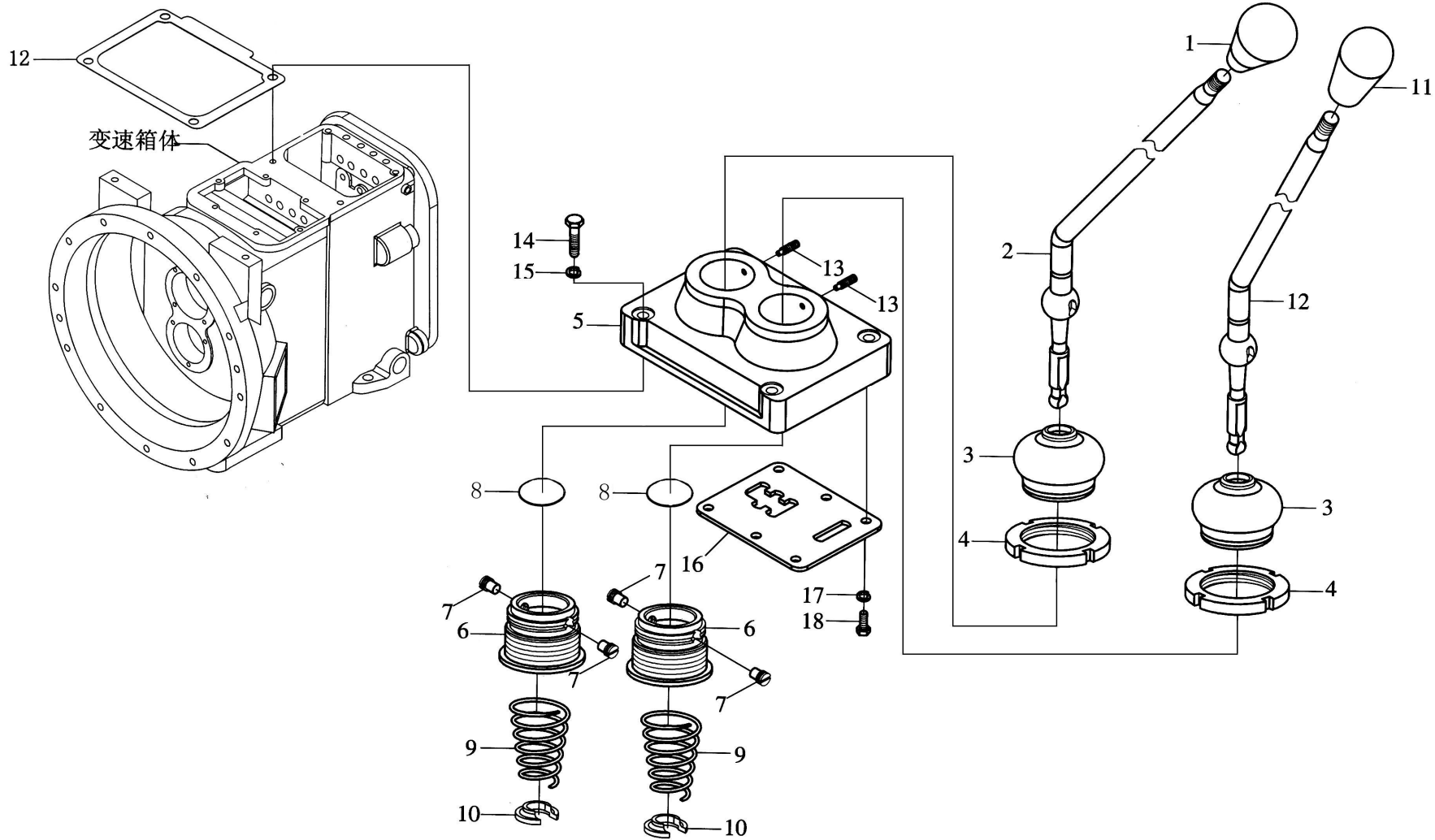


后驱动轮总成
Rear Driving Wheel Assembly

后驱动轮总成

Rear Drving Wheel Assembly

序号 Ser.No.	代号 Part No.	名称	Name	数量 Qty.										
				650	654	700	704	750	754	800	804	850	854	
1	GB/T2979	驱动轮外胎 14.9-30	Cover tire 14.9-30	2	2	2	2	2	2	2	2	2	2	2
2	GB/T2979	驱动轮内胎 14.9-30	Inner tube 14.9-30	2	2	2	2	2	2	2	2	2	2	2
	GB/T2979	驱动轮外胎 16.9-30(选装)	Cover tire 14.6-30	2	2	2	2	2	2	2	2	2	2	2
	GB/T2979	驱动轮内胎 16.9-30(选装)	Inner tube 14.6-30	2	2	2	2	2	2	2	2	2	2	2
3	GB/T6171	螺母M16×1.5	Nut M16×1.5	24	24	24	24	24	24	24	24	24	24	24
4	GB/T93	垫圈16	Washer 16	36	36	36	36	36	36	36	36	36	36	36
5	GB/T95	垫圈16	Washer 16	24	24	24	24	24	24	24	24	24	24	24
6	700.34.105	轮辐	Spoke	2	2	2	2	2	2	2	2	2	2	2
7	GB/T13	螺钉M16×80	Bolt M16×80	12	12	12	12	12	12	12	12	12	12	12
8	700.34.012	轮辋焊合件	Rim welement	2	2	2	2	2	2	2	2	2	2	2
9	700.34.101	配重螺栓	Bolt	12	12	12	12	12	12	12	12	12	12	12
10	700.34.102	后配重	Rear balance weight	8	8	8	8	8	8	8	8	8	8	8
11	700.34.103	配重过渡螺栓	Bolt	12	12	12	12	12	12	12	12	12	12	12
12	700.34.104	垫圈	Washer	12	12	12	12	12	12	12	12	12	12	12
13	GB/T5785	螺栓M16×1.5×60	Bolt M16×1.5×60	12	12	12	12	12	12	12	12	12	12	12

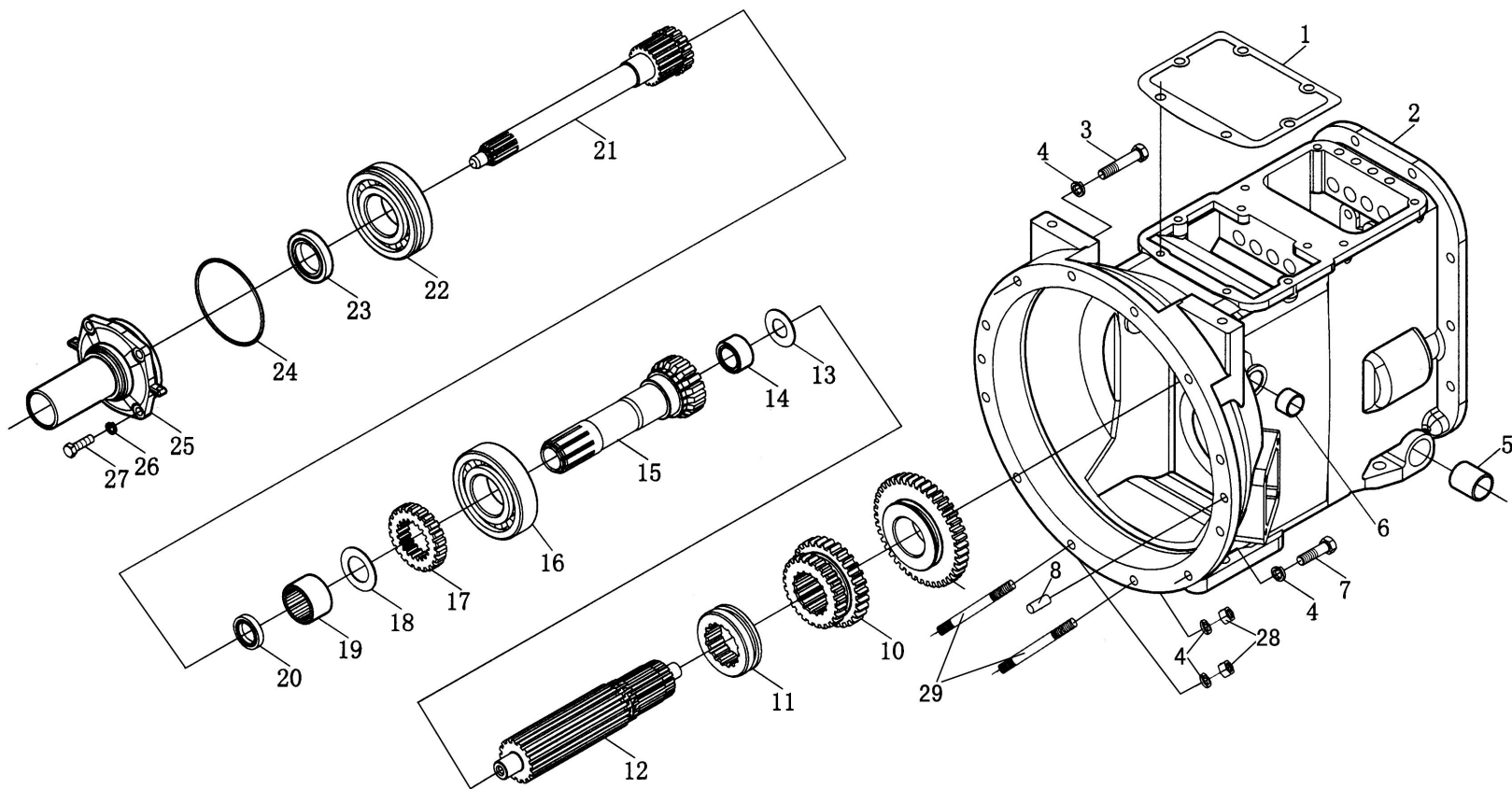


变速箱总成 (一)
Gearbox Assembly(I)

变速箱总成<加强型>(一)

Gearbox Assembly (Strengthened model) (I)

序号 Ser.No.	代号 Part No.	名称	Name	数量 Qty.																
				650	654	700	704	750	754	800	804	850	854							
1	700.37.013	主变速手柄球总成	Main gearshift handle cap assembly	1																
2	700.37.157-1	主变速杆	Gear change handle,main gearshift	1																
3	800.37.154	变速杆防尘罩	Sealing cap	2																
4	700.37.191	变速杆座锁定螺母	Nut of gear change handle	2																
5	700.37.151-2	变速箱盖	Gearbox housing	1																
6	800.37.306A	变速杆座	seat of gear change handle	2																
7	GB/T 75	开槽圆柱端紧钉螺钉M10×13	Screw M10×13	4																
8	GB/T921	锁圈41	Washer 41	2																
9	800.37.304	变速杆弹簧	Spring	2																
10	800.37.182-1	变速杆弹簧挡圈	Shaft	2																
11	700.37.014	副变速手柄球总成	Auxiliary gearshift handle cap assembly	1																
12	700.37.158-1	副变速杆	Gear change handle of auxiliary gearshift	1																
13	GB/T 75	螺钉M5×12-A2L	Screw M5×12-A2L	2																
14	GB/T 5780	螺栓M10×55-A2L	Bolt M10×55-A2L	4																
15	GB/T 93	垫圈10	Washer 10	4																
16	700.37.190	限位板	guide plate	1																
17	GB/T93	垫圈8	Washer 8	6																
18	GB/T 5783	螺栓M8×16-A2L	Bolt M8×16-A2L	6																
19	700.37.110	换挡杆总成衬片	Gasket ,gear change handle assembly	1																

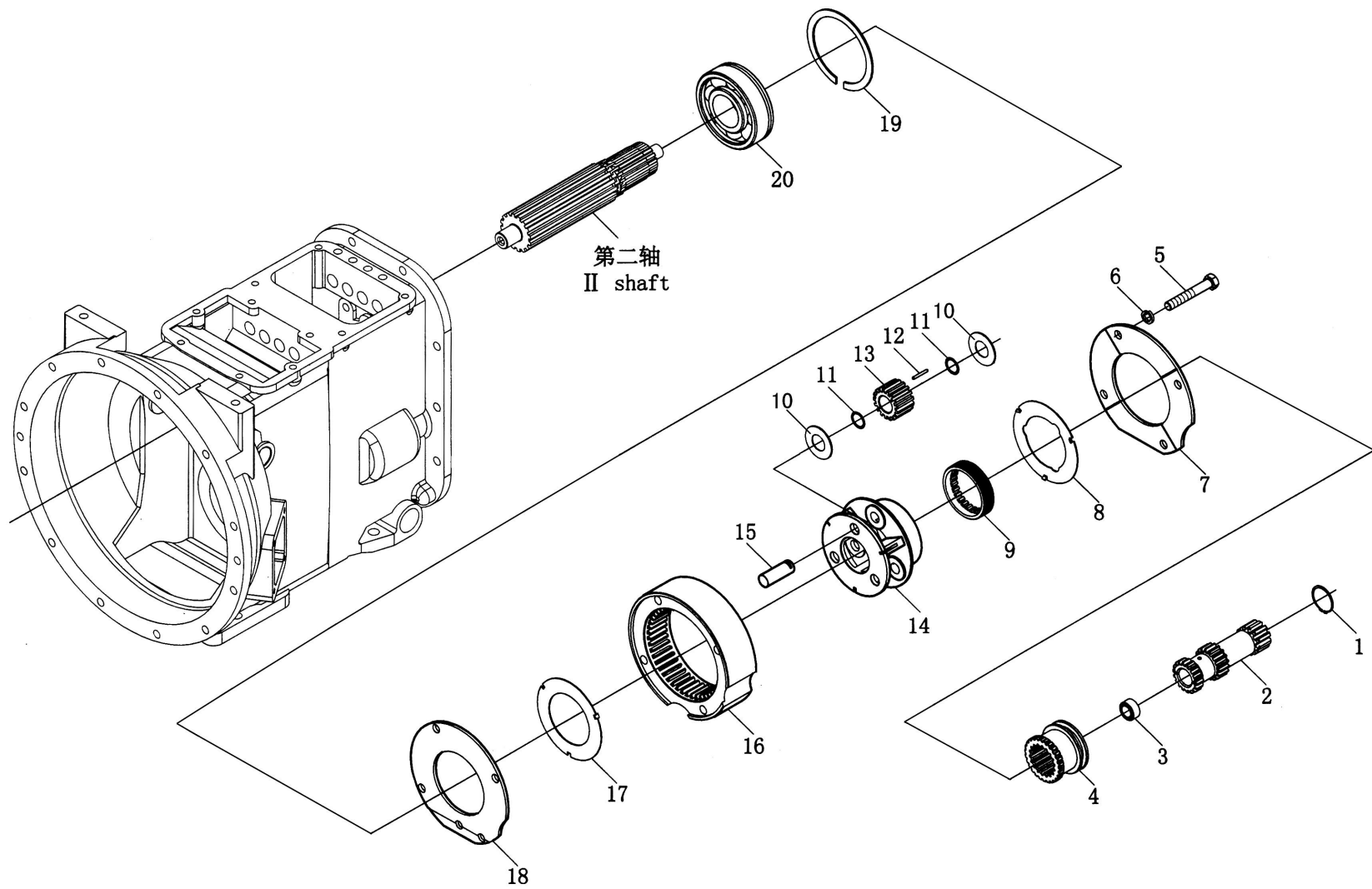


变速箱总成 (二)
Gearbox Assembly(II)

变速箱总成 (二)

Gearbox Assembly (II)

序号 Ser.No.	代号 Part No.	名称	Name	数量 Qty.																
				650	654	700	704	750	754	800	804	850	854							
1	700.37.139	变速箱转向器垫片	Gasket	1	1															
2	700.37.101-1	变速箱体	Gearbox housing	1																
3	GB/T5782	螺栓M12×90	Bolt M12×90	2																
4	GB/T93	垫圈12	Single coil spring lock washer 12	12																
5	700.37.168	制动轴衬套	Sleeve,braking shaft	2																
6	300.21.115	衬套	shaft	2																
7	GB/T578	螺栓M12×35	Bolt M12×35	8																
8	GB/T119	销B12×24	Parallel pin B12×24	2																
9	700.37.107	一倒档齿轮	I reverser gear	1																
10	700.37.105	二轴二、三档齿轮	II and III gear , II shaft	1																
11	700.37.142	四档啮合套	Engaging sleeve, IV gear	1																
12	700.37.106	第二轴	II shaft	1																
13	700.37.111-1	第一、二轴之间摩擦片	Thrust washer	1																
14	GB/T5801	滚针轴承NKI25/20	Instrument precision bearing NKI25/20	1																
15	700.37.108A	功率主动轴齿轮, 720r/min	Driving shaft gear 720r/min	1																
16	GB/T283	圆柱滚子轴承NJ211E	Cylindrical roller bearing NU211E	1																
17	700.37.103A	常啮合主动齿轮	Constant engaging driving gear	1																
18	700.37.112	间隙调整圈	Clearance adjusting shim	1																
19	GB/T12764	冲压外圈滚子轴承HK3524	Needle roller bearing ,HK3524	1																
20	GB/T9877.1	油封B29.5×40×8	Oil sealing B29.5×40×8	1																
21	700.37.104	第一轴	I shaft	1																
22	GB/T276	轴承6211-Z	Deep groove ball bearing 6211-Z	1																
23	GB/T9877.1	油封B45×62×8	Oil sealing B45×62×8	1																



变速箱总成 (三)
Gearbox Assembly (III)

变速箱总成 (三)

Gearbox Assembly (III)

序号 Ser.No.	代号 Part No.	名称	Name	数量 Qty.																
				650	654	700	704	750	754	800	804	850	854							
1	GB/T894.1	挡圈42	Circlip for shaft 42	1																
2	700.37.172	传动齿轮轴	Transmission gear shaft	1																
3	GB/T12764	冲压外圈滚针轴承HK2020	Needle roller bearing HK2020	1																
4	700.37.150	第二轴传动齿套	Transmission gear sleeve, II shaft	1																
5	GB/T5782	螺栓M12×80	Bolt M12×80	4																
6	GB/T93	垫圈12	Single coil spring lock washer 12	4																
7	700.37.148	齿圈挡板	Cover plate of planetary gear	1																
8	700.37.164-1	行星架垫片 (大)	Rear gasket ,planetary gear housing (big)	1																
9	700.37.167	行星齿轮内齿圈	Inner gear ring ,planetary gear housing	1																
10	700.37.145	行星齿轮挡圈	Thrust plate ,planetary gear	6																
11	700.37.146	行星齿轮滚针隔套	Needle spacer ,planetary gear	6																
12	GB/T309	圆头滚针3.5×29.8	Round head needle 3.5×29.8	60																
13	700.37.166	行星齿轮	Planetary gear	3																
14	700.37.162	行星齿轮座	Planetary gear housing	1																
15	700.37.163-1	行星齿轮轴	Planetary gear shaft	3																
16	700.37.147-1	行星内齿轮	Planetary inner gear	1																
17	700.37.165	行星架垫片 (小)	Front gasket ,planetary housing (small)	1																
18	700.37.149	行星轮定位板	Spacer plate ,planetary housing	1																
19	GB/T305	止动环100/106.5	Thrust ring 100/106.5	1																
20	GB/T277	轴承6211N	Deep groove ball bearing 6211N	1																