

续. 传动箱

Cont. Drive Gearbox

序号 Ser. No.	代 号 Part No.	名 称	Name	数量 Qty.
24	300.37.303	盖板	Blank cover	1
25	GB/T 93	垫圈8	Spring lock washer 8	8
26	GB/T 5783	螺栓M8×25	Bolt M8×25	4
27	400.38.024	六角头磁性螺塞M20×1.5	Bolt M20×1.5	1
28		复合垫圈20	Compound washer 16	1
29	300.37.175	差速器轴承座导向键	Guide key,differential bearing seat	1
30	GB/T819	螺钉M8×16	Screw M8×16	1
31	300.37.166	调整螺母定位片	Locating plate,adjusting nut	2
32	300.37.167	定位片锁片	Locking plate,locating plate	2
33	GB/T 5783	螺栓M8×16	Bolt M8×16	4
34	300.37.302	螺塞M10×1	Plug M10×1	2
35	300.37.301-1	弹簧	Spring	2
36	GB/T 308	钢球11/32" (8.7312G400b)	Steel ball 11/32" (8.7312 G400b)	5
37	GB/T 119	销D12×25	Parallel pin D12×25	4
38	300.37.020	动力输出轴拨叉焊接总成	P.T.O.shaft fork weldment assembly	1
39	GB/T 818	螺钉M8×14	Screw M8×14	2
40	300.37.165-1	动力轴操纵杆定位片	Locating plate,power shaft controlling rod	1
41	700.38.051	拉压手柄合件	Handle,control lever	1
42	GB/T 859	垫圈10	Washer 10	3
43	GB/T 70	螺钉M10×30	Screw M10×30	3
44	GB/T 5783	螺栓M8×30	Bolt M8×30	6
45	184.37.416-1	盖板	Blank cover	1
46	300.54.107	油泵纸垫	Gasket	1

续. 传动箱

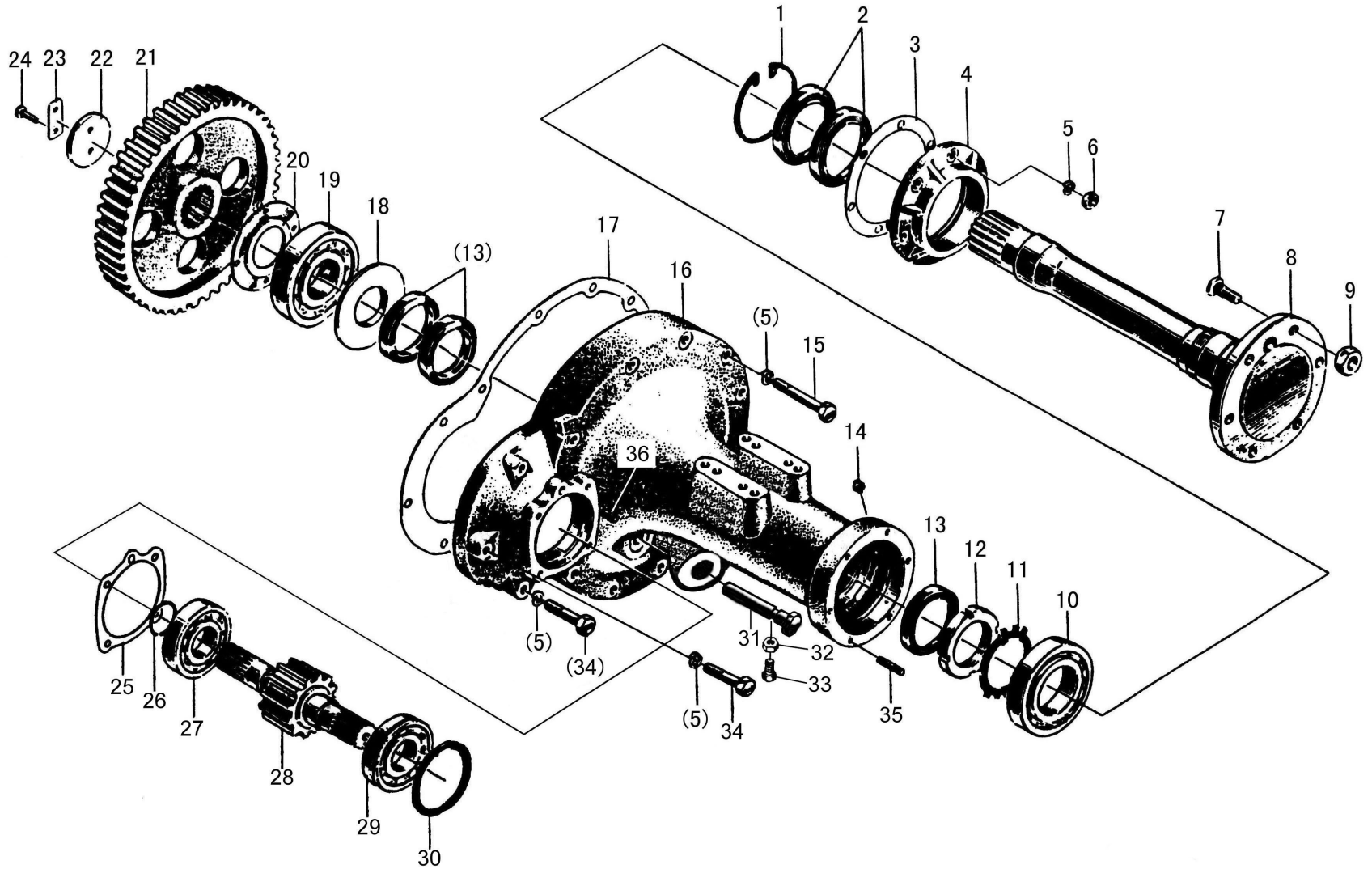
Cont. Drive Gearbox

序号 Ser. No.	代 号 Part No.	名 称 Name	数量 Qty.
47	300.54.105	油泵垫板	1
48	300.54.106	纸垫	1
49	GB/T 3452.1	O形密封圈15×2.65	2
50	300.37.177	输出拨叉轴衬套	2
51	300.37.131-1	动力输出换档拨头	1
52	300.37.156	传动箱后纸垫	1
53	160.37.148	拨叉轴锁定弹簧	4
54	160.37.112	倒档轴前止推环	2
55	非标准(Non-standard)	滚针轴承K20×25×20	2
56	300.37.414	倒档轴滚针轴承隔圈	1
57	300.37.113	倒档齿轮	1
58	300.37.169	箱盖垫片	1
59	300.37.021	分离拨叉焊接总成	1
60	300.37.163	动力输出轴分离杆定位片	1
61	300.37.139	动力输出轴拨头	1
62	300.37.154-1	分离拨叉轴	1

续. 传动箱

Cont.Drive Gearbox

序号 Ser. No.	代 号 Part No.	名 称 Name	数量 Qty.
47	300.54.105	油泵垫板	1
48	300.54.106	纸垫	1
49	GB/T 3452.1	O形密封圈15×2.65	2
50	300.37.177	输出拨叉轴衬套	2
51	300.37.131-1	动力输出换档拨头	1
52	300.37.156	传动箱后纸垫	1
53	160.37.148	拨叉轴锁定弹簧	4
54	160.37.112	倒档轴前止推环	2
55	非标准(Non-standard)	滚针轴承K20×25×20	2
56	300.37.414	倒档轴滚针轴承隔圈	1
57	300.37.113	倒档齿轮	1
58	300.37.169	箱盖垫片	1
59	300.37.021	分离拨叉焊接总成	1
60	300.37.163	动力输出轴分离杆定位片	1
61	300.37.139	动力输出轴拨头	1
62	300.37.154-1	分离拨叉轴	1



末端传动总成
Final Drive Assembly

末端传动总成

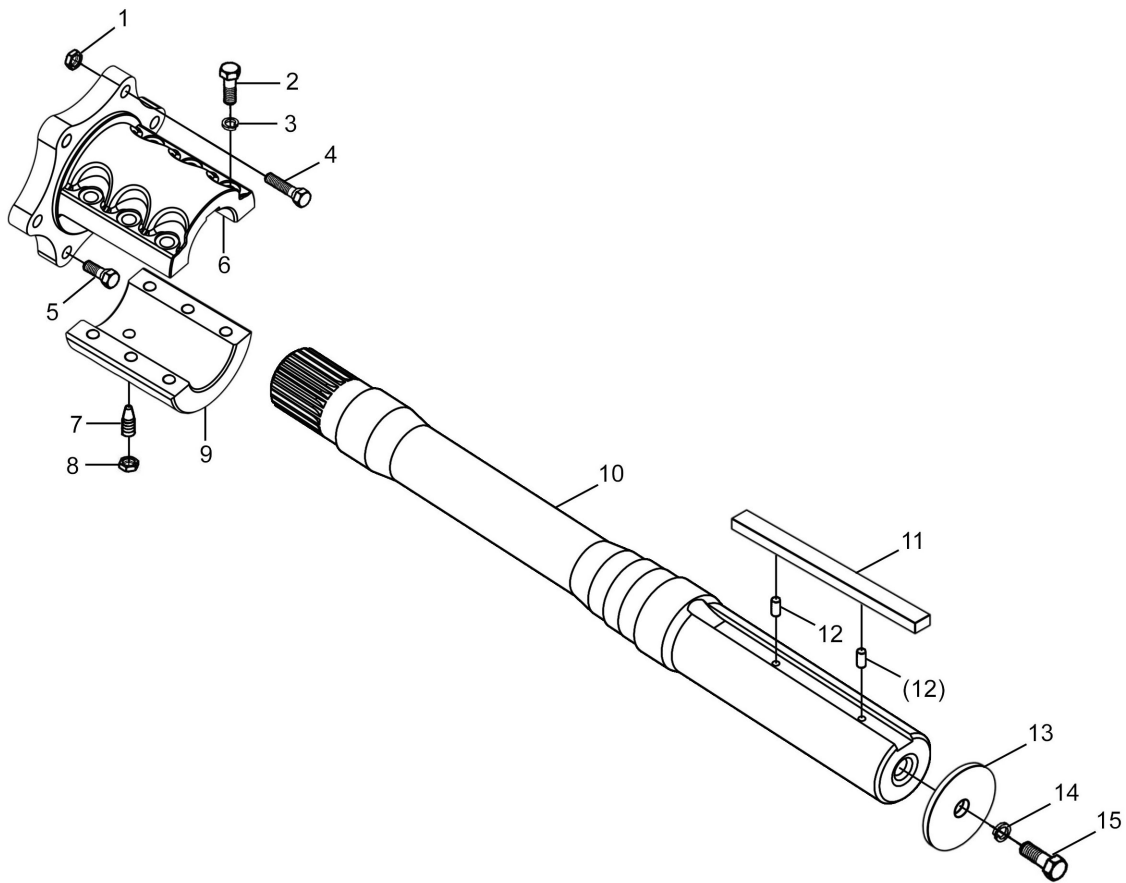
Final Drive Assembly

序号 Ser. No.	代号 Part No.	名称	Name	数量 Qty.
1	GB893.1	挡圈100	Circlip for hole 100	2
2	GB/T 9877.1	油封FB75×100×10	Oil seal FB 75×100×10	4
3	300.39.119	驱动轴压盖纸垫	Paper gasket,driving shaft pressing cover	2
4	300.39.106	驱动轴压盖	Driving shaft pressing cover	2
5	GB/T 93	垫圈10	Spring lock washer 10	40
6	GB/T 6170	螺母M10	Nut M10	12
7	300.39.113	螺栓	Wheel fixing screw	12
8	300.39.102-1	驱动轴	Driving shaft	2
9	300.39.114	螺母	Wheel fixing nut	12
10	GB/T 276	轴承6213	Rolling bearing 6213	2
11	GB/T 858	垫圈64	Washer 64	2
12	GB/T 812	螺母M64×2	Nut M64×2	2
13	GB/T 9877.1	油封FB60×85×8	Oil seal FB 60×85×8	6
14	GB/T7940.1	直通式压注油杯M10×1	Oil cup M10×1	2
15	GB/T 5782	螺栓M10×75	Bolt M10×75	22
16	300.39.201B	左末端传动壳体	Left final drive housing	1
	300.39.202B	右末端传动壳体	Right final drive housing	1
17	300.39.108	末端传动壳体纸垫	Paper gasket,final drive housing	2
18	300.39.112	垫板	Stool plate	2
19	GB/T 283	轴承NU311E	Rolling bearing NU311E	2
20	300.39.111	挡板	Stop plate	2
21	300.39.105	末端传动大齿轮(53齿)	Large gear,final drive (53 teeth)	2
	300.39.105-1	末端传动大齿轮(52齿)	Large gear,final drive (52 teeth)	2

续 末端传动总成

Con. Final Drive Assembly

序号 Ser. No.	代 号 Part No.	名 称	Name	数量 Qty.
22	300.39.110	压板	Clamping plate	2
23	300.39.109	保险垫片	Safety washer	2
24	GB/T 5783	螺栓M8×20-8.8	Bolt M8×20-8.8	4
25	300.39.203	制动器鼓壳纸垫	Paper gasket,brake drum case	2
26	GB/T 895.2	挡圈40	Roundwire snap ring for hole 40	2
27	GB/T 276	轴承6308	Rolling bearing 6308	2
28	300.39.124	末端传动小齿轮(13齿)	Pinion gear,final drive (13 teeth)	2
	300.39.124-1	末端传动小齿轮(14齿)	Pinion gear,final drive (14 teeth)	2
29	GB/T 276	轴承6308N	Rolling bearing 6308N	2
30	GB/T 305	止动环90/94.4	Snap ring 90	2
31	300.39.204-1	销子轴	Pin shaft	2
32	GB/T6172	螺母M12	Nut M12	2
33	GB/T85	螺钉M12×35	Screw M12×35	2
34	GB/T 5782	螺栓M10×60	Bolt M10×60	6
35	GB/T 898	螺柱AM10-M10×28	Stud AM10-M10×28	12
36	GB/T 119	销D10×20	Parallel pin D10×20	2

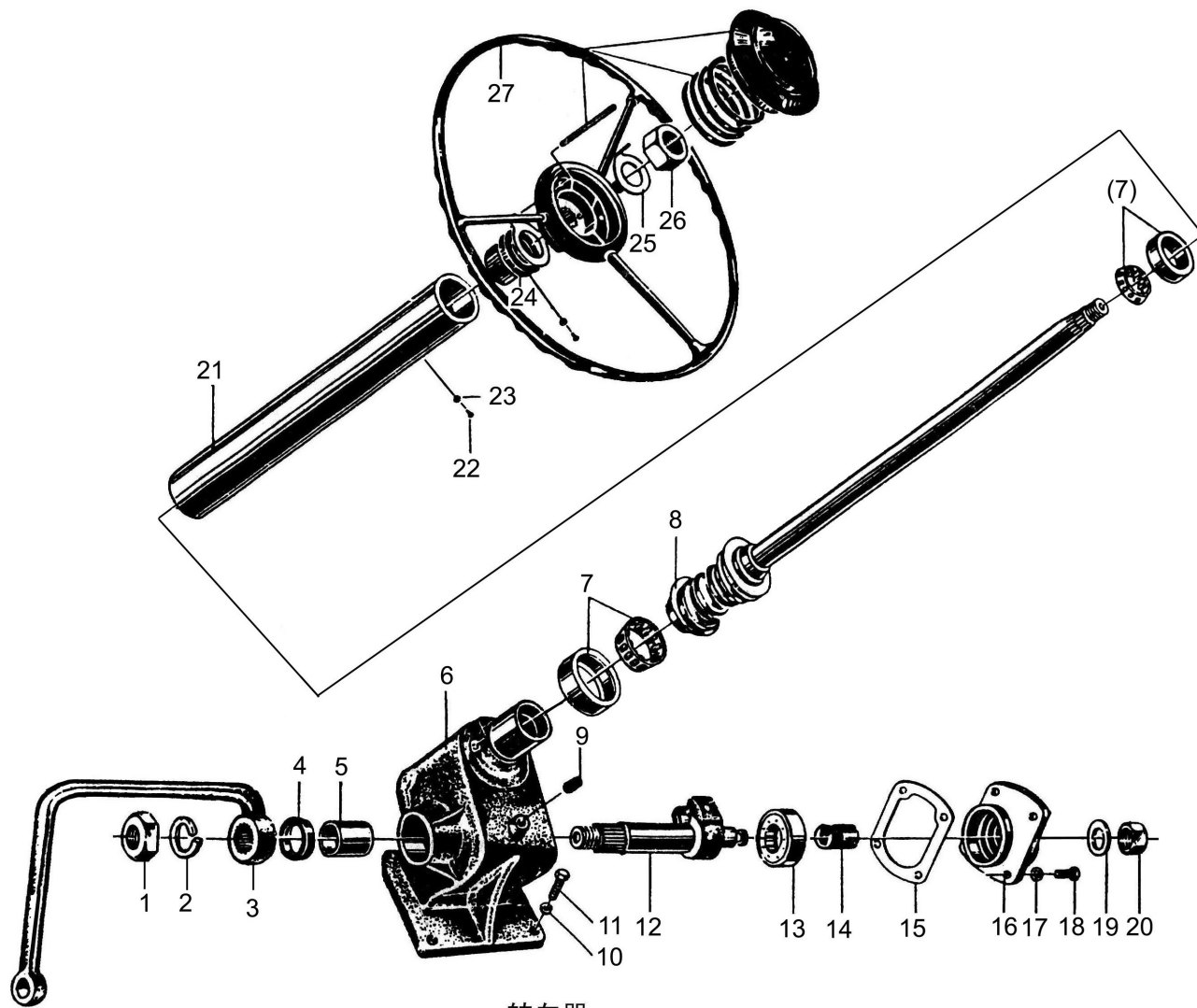


末端传动总成
Final Drive Assembly

末端传动总成

Final Drive Assembly

序号 Ser. No.	代 号 Part No.	名 称	Name	数量 Qty.
1	GB/T6170	螺母M14	Nut M14	4
2	GB/T5782	螺栓M12×55-10.9	Bolt M12×55-10.9	12
3	GB/T93	垫圈12	Washer 12	12
4	300.34.132A	轮毂螺栓	Wheel bolts	4
5	300.34.132	轮毂螺栓	Wheel bolts	8
6	300.34.130	驱动轮轮毂	Driving wheel hub	2
7	GB/T75	止动螺钉M12×30	Bolt M12×30	2
8	GB/T6170	螺母M12	Nut M12	2
9	300.34.131	驱动轮轮毂盖	Driving wheel cover	2
10	300.39.102A	驱动轴	Driving shaft	2
11	300.39.126	平键	straight key	2
12	GB/T119	销B6×12	PinB6×12	4
13	300.39.127	挡圈	ring	2
14	GB/T93	垫圈16	Washer 16	2
15	GB/T5783	螺栓M16×40	Bolt M16×40	2



转向器
Steering Gear

转向器

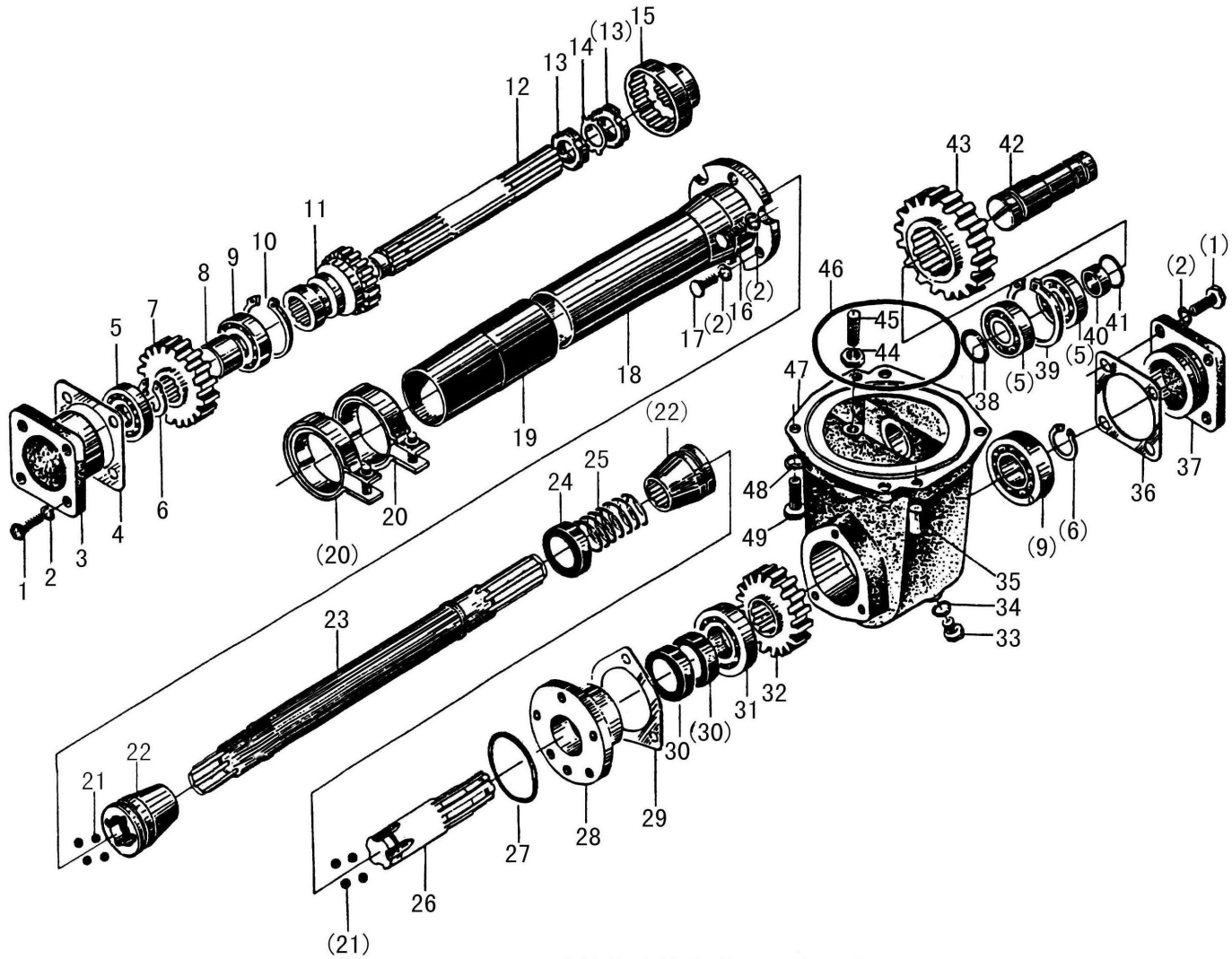
Steering Gear

序号 Ser. No.	代号 Part No.	名称	Name	数量 Qty.
1	GB/T6171	螺母M22×1.5	Nut M22×1.5	1
2	GB/T93-1987	垫圈22	Spring lock washer 22	1
3	TS30.40.101-1A	转向垂臂	Steering rock arm	1
4		油封44×32×10	Oil seal 44×32×10	1
5	TS.30.40.110	摇臂衬套	Rock arm bush	1
6	TS30.40.109A	转向器壳体	Steering gear housing	1
7	非标准Non-standard	滚动轴承977908	Rolling bearing 977908	2
8	TS30.40.012A	转向轴带转向蜗杆总成	Steering shaft assembly with steering worm	1
9	ZBT32001.4	螺塞Z1/4"-18	Plug Z1/4"-18	1
10	GB/T93	垫圈10	Spring lock washer 10	4
11	GB/T5781	螺栓M10×30	Bolt M10×30	4
12	TS30.40.017	转向摇臂轴	Steering rock arm shaft	1
13	GB/T276	滚动轴承6205	Rolling bearing 6205	1
14	TS30.40.202	调整螺钉	Adjusting screw	1
15	TS25A.40.208	侧盖衬垫	Steering gear side cover	1
16	TS30.40.207A	侧盖	Steering gear side cover	1
17	GB/T93-1987	垫圈8	Spring lock washer 8	4
18	GB/T5781	螺栓M8×20	Bolt M8×20	4
19	TS30.40.402	铜垫片24	Copper washer 24	1
20	GB/T6173	螺母M24*1.5-8.8	Nut M24*1.5-8.8	1
21	TS30.40.108A	转向柱管组合	Portfolio management steering columns	1
22	GB/T93	垫圈4	Spring lock washer 4	1
23	GB/T845	自攻螺钉ST4.2×9.5-C-Z	Tapping screw ST4.2×9.5-C-Z	1

续. 转向器

Cont. Steering Gear

序号 Ser. No.	代 号 Part No.	名 称	Name	数量 Qty.
24	24.40.024	接触环总成	Contact ring assembly	1
	GB/T845	自攻螺钉ST4.2×9.5-C-Z	Tapping screw ST4.2×9.5-C-Z	2
	24.40.119	触环	Contact ring	1
	GB/T859	垫圈4	Spring lock washer 4	2
	24.40.200	环座	Ring base	1
25	GB/T97.1	垫圈16	Washer 16	1
26	GB/T6173	螺母M16×1.5-8.8	Nut M16×1.5	1
27	160.40.019	转向盘总成	Steering-wheel assembly	1



分动箱传动轴总成（四轮驱动）
Transfer Case Drive Shaft Assembly (Four wheel drive)

分动箱传动轴总成 (四轮驱动)

Transfer Case Drive Shaft Assembly (Four wheel drive)

序号 Ser. No.	代 号 Part No.	名 称	Name	数量 Qty.
1	GB/T5783	螺栓M8×20	Bolt M8×20	8
2	GB/T93	垫圈8	Spring lock washer 8	14
3	304.42.116	传动轴轴承盖	Drive shaft bearing cap	1
4	304.42.117	轴承盖纸垫	Paper gasket,bearing cap	1
5	GB/T276	轴承6304	Rolling bearing 6304	3
6	GB/T894.1	挡圈25	Circlip for shaft 25	1
7	304.42.119-1	分动箱动力输入齿轮	Power input gear,transfer case	1
8	304.42.120	隔离套	Spacing sleeve	1
9	GB/T276	轴承6305	Rolling bearing 6305	2
10	GB/T893.1	挡圈62	Circlip for hole 62	1
11	304.42.122-1	齿轮联轴节	Gear coupling	1
	304.42.122A	齿轮联轴节(配双作用)	Gear coupling (for dual stage clutch)	1
12	304.42.118-1	动力输入轴	Power input shaft	1
	304.42.118A	动力输入轴(配双作用)	Power input shaft (for dual stage clutch)	1
13	GB/T812	螺母M20×1.5	Nut M20×1.5	2
14	GB/T858	垫圈20	Washer 20	1
15	304.42.123A	联接内齿轮	Connecting internal gear	1
16	GB/T5783	螺栓M8×25	Bolt M8×25	3
17	GB/T5783	螺栓M8×16	Bolt M8×16	3
18	304.42.011	联轴节护罩焊合件(250mm)	Coupling guard weldment (250mm)	1
	304.42.011A	联轴节护罩焊合件(425mm)	Coupling guard weldment(425mm)	1
	304.42.011B	联轴节护罩焊合件(487mm)	Coupling guard weldment(487mm)	1
19	304.42.112	外防尘圈	Outside dust ring	1

续. 分动箱传动轴总成 (四轮驱动)

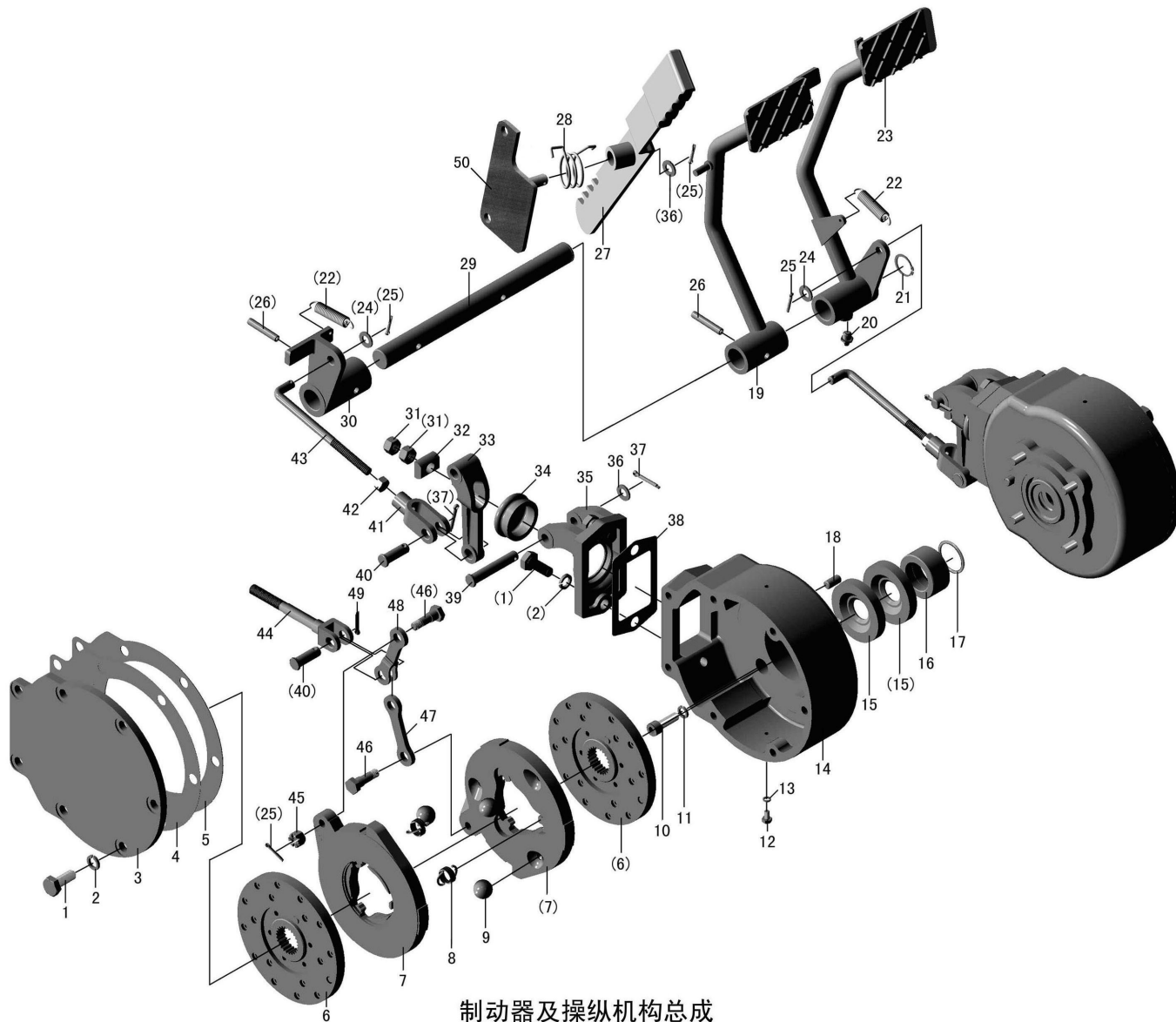
Cont. Transfer Case Drive Shaft Assembly (Four wheel drive)

序号 Ser. No.	代 号 Part No.	名 称	Name	数量 Qty.
20		包箍44-64	Clip 44-64	2
21	GB/T308	钢球12.7000 G400 b	Steel ball 12.7000 G400 b	8
22	304.42.121	滚珠联轴节	Ball coupling shaft	2
23	304.42.127	联轴节轴(527mm)	Coupling shaft (527mm)	1
	304.42.127A	联轴节轴(683mm)	Coupling shaft (683mm)	1
	304.42.127B	联轴节轴(746mm)	Coupling shaft (746mm)	1
24	12.37.148	防护罩	Guard	1
25	184.42.107	压紧弹簧	Compression spring	1
26	304.42.105	分动箱动力输出轴	Transfer case P.T.O.shaft	1
27	GB/T3452.1	O形密封圈61.5×3.55	O-ring 61.5×3.55	1
28	304.42.108	油封座	Oil seal seat	1
29	304.42.109	纸垫	Paper gasket	1
30	GB/T9877.1	旋转轴唇形密封圈FB30×50×8	Oil seal FB30×50×8	2
31	GB/T276	轴承6206	Rolling bearing 6206	1
32	304.42.107	分动箱动力输出齿轮	Transfer case P.T.O.gear	1
33	304.31.152	螺塞	Oil drain piug	1
34	GB/T3452.1	O形密封圈14×2.65	O-ring 14×2.65	1
35	GB/T119	销D10×22	Parallel pin D10×22	2
36	304.42.106	后轴承盖纸垫	Paper gasket ,rear bearing cap	1
37	304.42.104	分动箱后轴承盖	Rear bearing cap,transfer case	1
38	GB/T3452.1	O形密封圈20×2.65	O-ring 20×2.65	1
39	GB/T893.1	挡圈52	Circlip for hole 52	1
40	304.42.130	隔离套	Spacing sleeve	1

续. 分动箱传动轴总成 (四轮驱动)

Cont. Transfer Case Drive Shaft Assembly (Four wheel drive)

序号 Ser. No.	代 号 Part No.	名 称	Name	数量 Qty.
41	GB/T3452.1	O形密封圈10.6×2.65	O-ring 10.6×2.65	1
42	304.42.101	分动箱中间轴	Intermediate axle,transfer case	1
43	304.42.103	分动箱中间齿轮	Intermediate gear,transfer case	1
44	GB/T6170	螺母M8	Nut M8	1
45	GB/T71	螺钉M8×30	Screw M8×30	1
46	GB/T3452.1	O形密封圈128×3.55	O-ring 128×3.55	1
47	304.42.102-1	分动箱体	Transfer case body	1
48	GB/T93	垫圈10	Spring lock washer 10	4
49	GB/T5783	螺栓M10×25	Bolt M10×25	4



制动器及操纵机构总成
Brake and operation mechanism

制动器及操纵机构总成

Brake and Operation Mechanism

序号 Ser. No.	代号 Part No.	名称	Name	数量 Qty.
1	GB/T 5783	螺栓M12×30	Bolt M12×30	18
2	GB/T 93	垫圈12	Washer 12	18
3	300.43.102-1	制动器盖	Cover	2
4	300.43.105-1	制动器盖纸垫δ0.5	Gasket δ0.5	2
5	300.43.105	制动器盖纸垫δ0.3	Gasket δ0.3	2
6	300.43.012	摩擦片总成	Friction disc assy	4
7	300.43.111	压盘	Pressure plate	4
8	250.43.112	压盘回位弹簧	Spring	6
9	GB/T 308	钢球22.2250G40±0(±0)	Ball 22.2250G40±0(±0)	6
10	GB/T 70	螺钉M10×30	Screw M10×30	8
11	GB/T 93	垫圈10	Washer 10	8
12	GB/T 5783	螺栓M6×10	Bolt M6×10	2
13	GB/T 97.1	垫圈6	Washer 6	2
14	300.43.101	制动器壳	Brake case	2
15	JB/T 2600	油封PD55×75×12	Oil seal PD55×75×12	4
16	300.43.121-1	油封套圈	Sleeve	2
17	GB 3452.1	O形密封圈33.5×3.55	O-ring 33.5×3.55	2
18	GB/T 119	销10×20	Pin 10×20	2
19	300.43.014-2	左制动踏板焊合件	Left pedal	1
20	GB/T7940.1	直通式压注油杯M10×1	Grease cup M10×1	1
21	GB/T 894.1	挡圈25	Circlip 25	1
22	160.21.105	离合器踏板弹簧	Spring	2
23	300.43.015-2	右制动器踏板焊合件	Right pedal	1

续. 制动器及操纵机构总成

Cont. Brake and Operation Mechanism

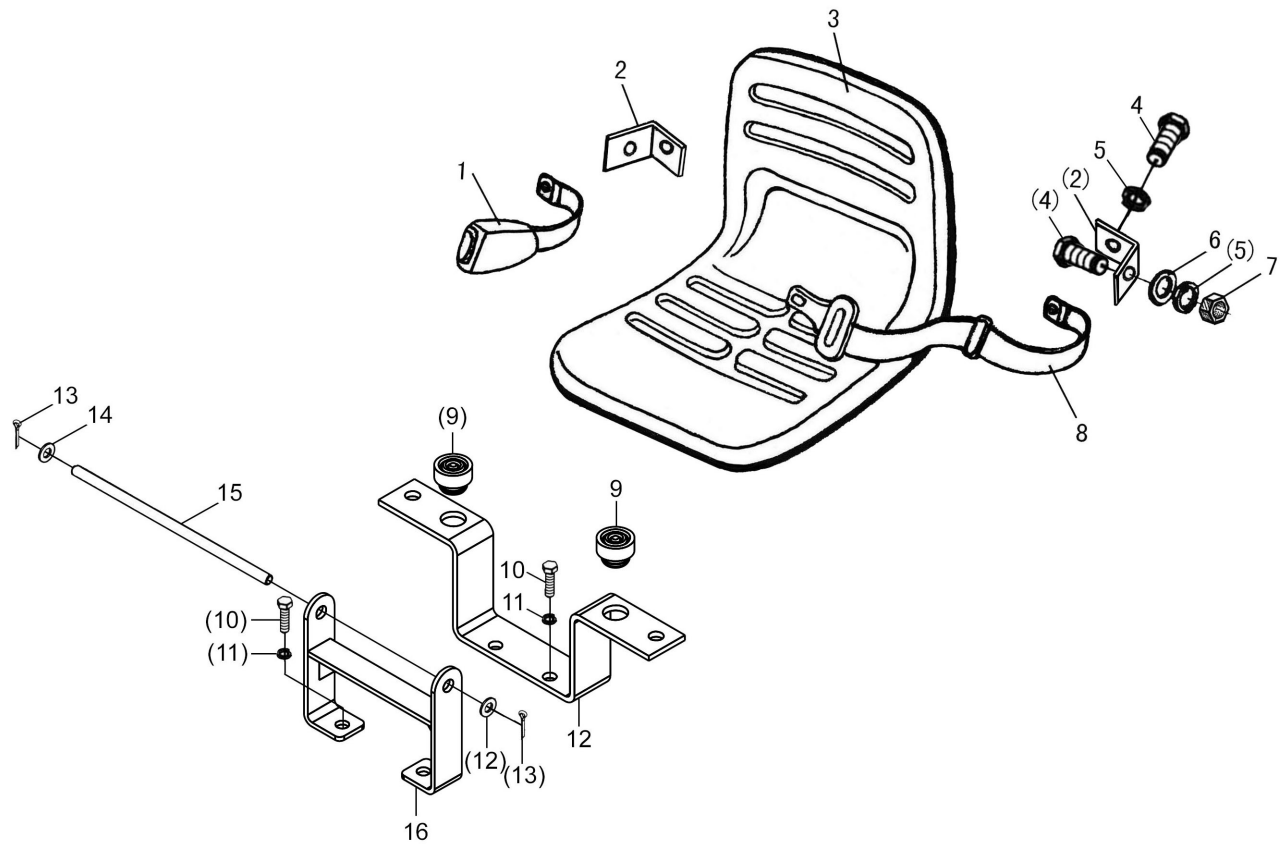
序号 Ser. No.	代号 Part No.	名称	Name	数量 Qty.
24	GB/T 97.1	垫圈10	Washer 10	2
25	GB/T 91	开口销3.2×20	Pin 3.2×20	7
26	GB/T 879	弹性销8×45	Pin 8×45	2
27	160.43.021-1	制动齿板焊合件	Plate	1
28	160.43.147	扭力弹簧	Spring	1
29	300.43.127	制动踏板轴	Shaft	1
30	300.43.126	踏板拉臂	Pedal pull arm	1
31	GB/T 6170	螺母M12	Nut M12	2
	GB/T 899	螺母M12	Nut M12	2
32	300.43.108	自位垫块	Spacer	2
33	300.43.106	摇臂	Rocker arm	2
34	300.43.013-1	皮碗总成	Sealing cap	2
35	300.43.104	摇臂支座	Support	2
36	GB/T 97.1	垫圈12	Washer 12	3
37	GB/T 91	开口销4×30	Pin 4×30	4
38	300.43.103	摇臂座纸垫	Gasket	2
39	GB/T 882-	销轴B12×70	Axis pin B12×70	2
40	GB/T 882	销轴B12×35	Axis pin B12×35	4
41	300.43.109	制动拉杆调整叉	Adjusting york	2
42	GB/T 6170	螺母M10	Nut M10	2
43	300.43.110	制动拉杆	Rod	2[1]
	300.43.020	右制动拉杆焊合件(配气刹)	Right rod (for air bracking)	1
44	300.43.116	调节杆	Adjusting Rod	2

续. 制动器及操纵机构总成

Cont. Brake and Operation Mechanism

序号 Ser. No.	代号 Part No.	名称	Name	数量 Qty.
45	GB/T 9457	螺母M10×1	Nut M10×1	4
46	300.43.113-1	拉板螺栓	Bolt	4
47	300.43.115	拉板	Pull plate	2
48	300.43.114	叉形拉板	Pull plate	2
49	GB/T 91	开口销4×20	Pin 4×20	2
50	300.43.016-2	固定板焊合件	Support plate	2

[]内配气刹时数量



驾驶座总成
 Seat