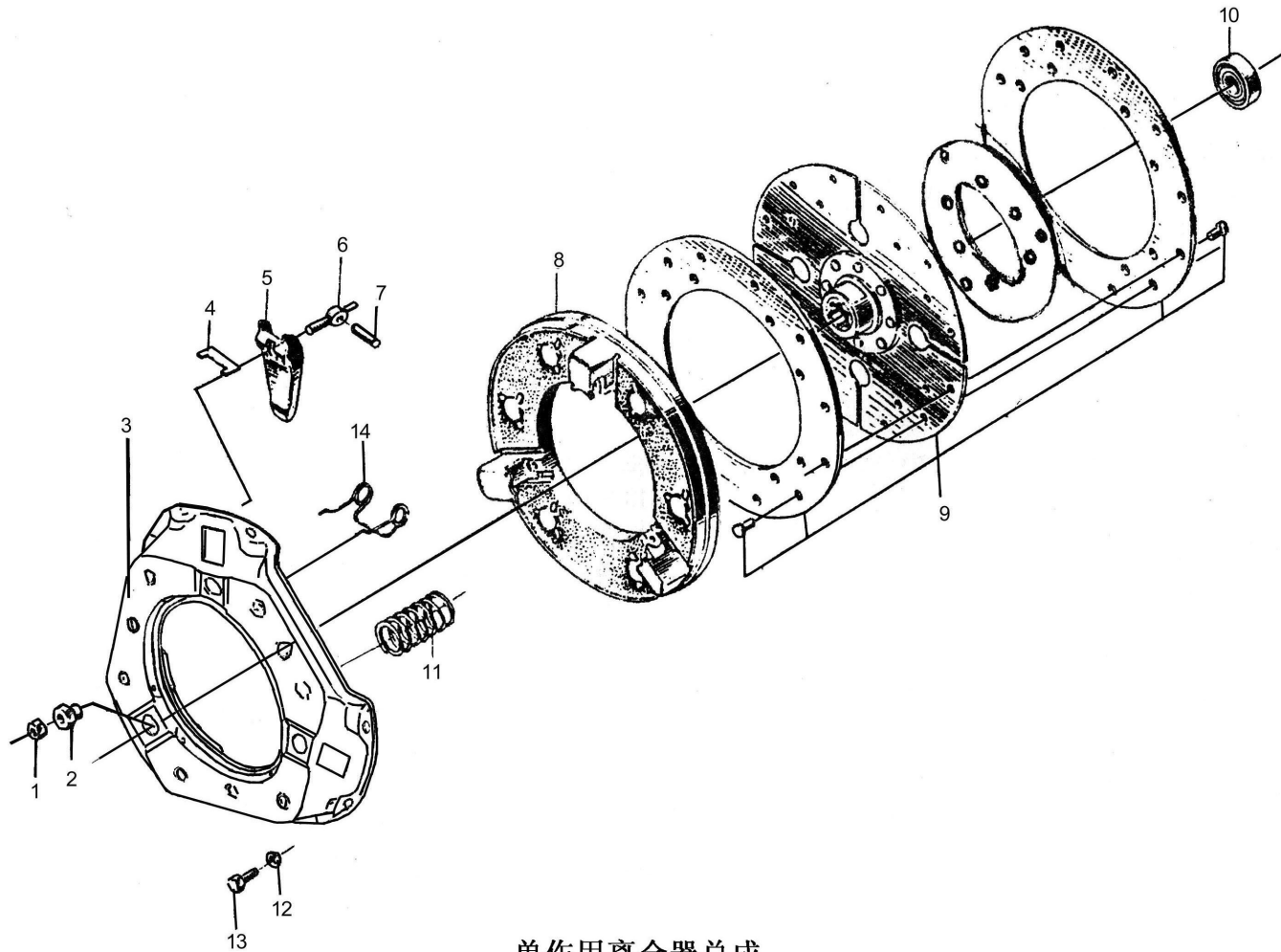


续. 发动机操纵机构总成

Cont. Engine Control Mechanism

序号 Ser. No.	代号 Part No.	名称	Name	数量 Qty.
22	GB/T97.1	垫圈8	Washer 8	2
23	300.20.204	垫板	plate	1
24	300.20.120	减压手柄	Decompression handle	1
25	300.20.122	支座(Ⅲ)	Support (Ⅲ)	1
26	GB/T5783	螺栓M8*25	Bolt M8×25	2
27	300.20.121	减压摇臂	Decompression arm	1
28	300.20.016	减压拉杆焊合件(SL2105/ZN390)	Decompression pull rod(SL2105/ZN390)	1
	300.20.016B	减压拉杆焊合件(TY395/TY3100)	Decompression pull rod(TY395/TY3100)	1
	300.20.016C	减压拉杆焊合件(Y480/Y485)	Decompression pull rod(Y480/Y485)	1
29	300.20.118-1	支座(SL2105)	Support(SL2105)	1
	300.20.118B	支座(TY395/TY3100)	Support(TY395/TY3100)	1
	300.20.118C	支座(Y480/Y485)	Support(Y480/Y485)	1
	300.20.118D	支座(ZN390)	Support(ZN390)	1
30	GB/T93	垫圈5	Washer 5	5
31	GB/T97.1	垫圈5	Washer 5	5
32	300E.20.202	熄火软轴支架	Support	1
33	300E.20.203	压板	Press plate	1

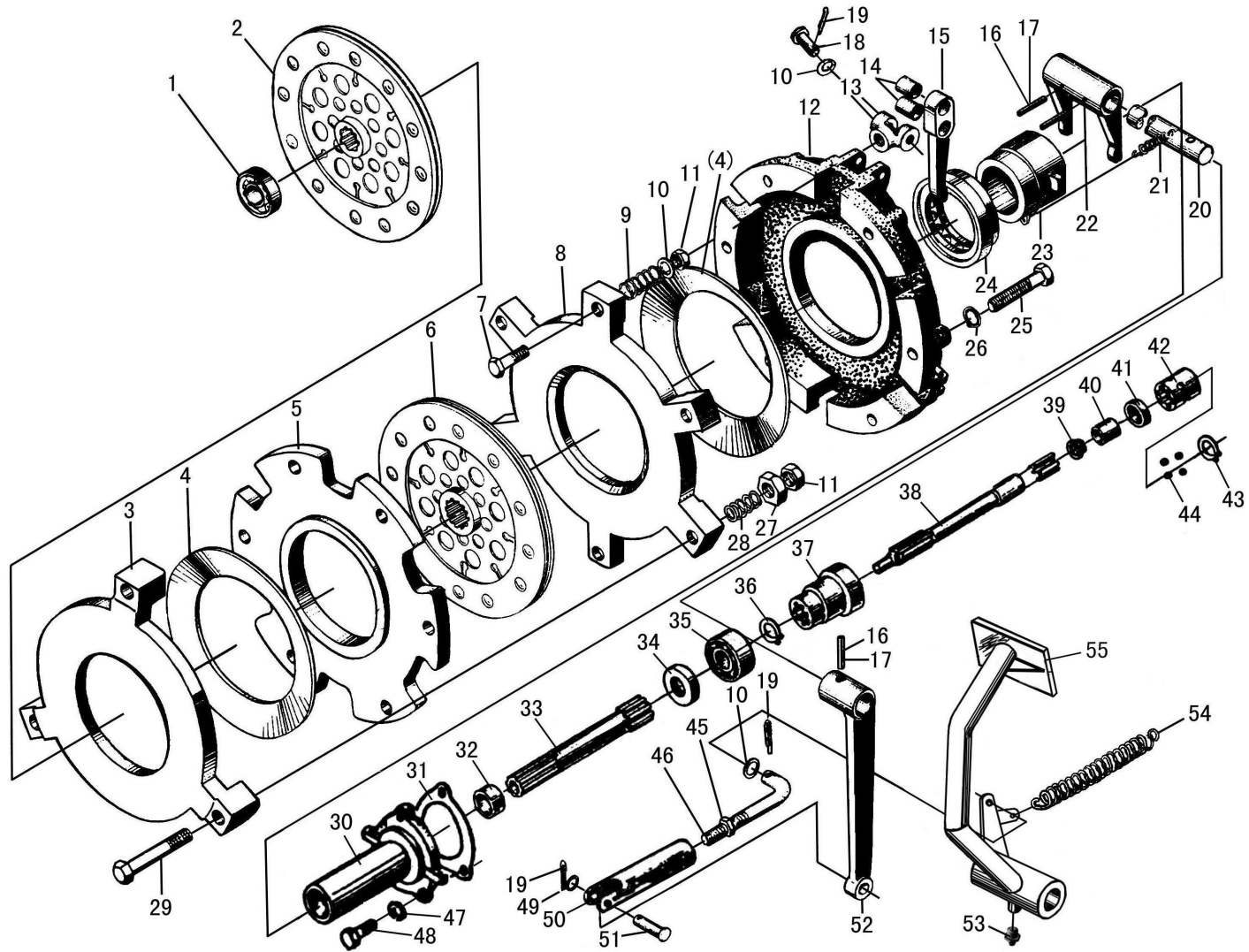


单作用离合器总成  
Single Stage Clutch

单作用离合器总成

Single Stage Clutch

序号 Ser. No.	代号 Part No.	名称	Name	数量 Qty.
1	GB/T6173	螺母M10×1	Nut M10×1	3
2	130-160.1107	分离杠杆调整螺母	Adjusting nut,release lever	3
3	130-1601091B	离合器盖	Clutch cover	1
4	130-1601098B	分离杠杆卡铁	Clamp iron,release lever	3
5	130-1601095B	分离杠杆	Clutch release lever	3
6	130-1601104B	分离杠杆调整螺栓	Adjusting bolt,release lever	3
7	130-16011038	分离杠杆销	Parallel pin,release lever	3
8	130-1601093B	离合器压盘	Clutch pressure disk	1
9	NJ-130	离合器从动盘总成	Clutch driven disk assembly	1
10	GB/T278	轴承60204-2RS	Rolling bearing 6204-2RS	1
11	130-1601115	离合器压紧弹簧	Clutch compression spring	9
12	GB/T93	垫圈8	Spring lock washer 8	6
13	GB/T5783	螺栓M8×20	Bolt M8×20	6
14	130-1601096	分离杠杆弹簧	Spring,release lever	3



双作用离合器总成  
Dual Stage Clutch

## 双作用离合器总成

### Dual Stage Clutch

序号 Ser. No.	代号 Part No.	名称	Name	数量 Qty.
1	GB/T276	滚动轴承6203-2RS	Rolling bearing 6203-Z	1
2	304.21S.013	功率输出离合器从动盘总成	PTO clutch disc assy	1
3	304.21S.116	副离合器压盘	Pressure plate	1
4	304.21S.118	碟形弹簧	Spring	2
5	304.21S.117	固定压盘	Pressure plate	1
6	304.21S.018	主离合器从动盘总成	Main clutch disc assy	1
7	184.21S.121	调整螺钉	Adjusting bolt	3
8	304.21S.119	主离合器压盘	Main pressure plate	1
9	184.21S.122	回位弹簧	Spring	3
10	GB/T97.1	垫圈10	Washer 10	10
11	GB/T6173	螺母M10×1	Nut M10×1	6
12	304.21S.120	离合器盖	Cover	1
13	184.21S.123	分离杠杆连接叉	Connecting fork	3
14	184.21S.129	衬套	Bush	6
15	304.21S.130	分离杠杆	Release lever	3
16	GB/T879	销8×40	Pin 8×40	3
17	GB/T879	销5×40	Pin 5×40	3
18	GB/T882	销轴B10×45	Axis pin B10×45	6
19	GB/T91	销3.2×16	Pin 3.2×16	8
20	304.21S.103-1	离合器拨叉轴	York shaft	1
21	160.20.109	分离轴承座弹簧	Spring	2
22	304.21S.102-1	离合器分离叉	York	1
23	304.21S.104-1	分离轴承座	Bearing seat	1

续. 双作用离合器总成

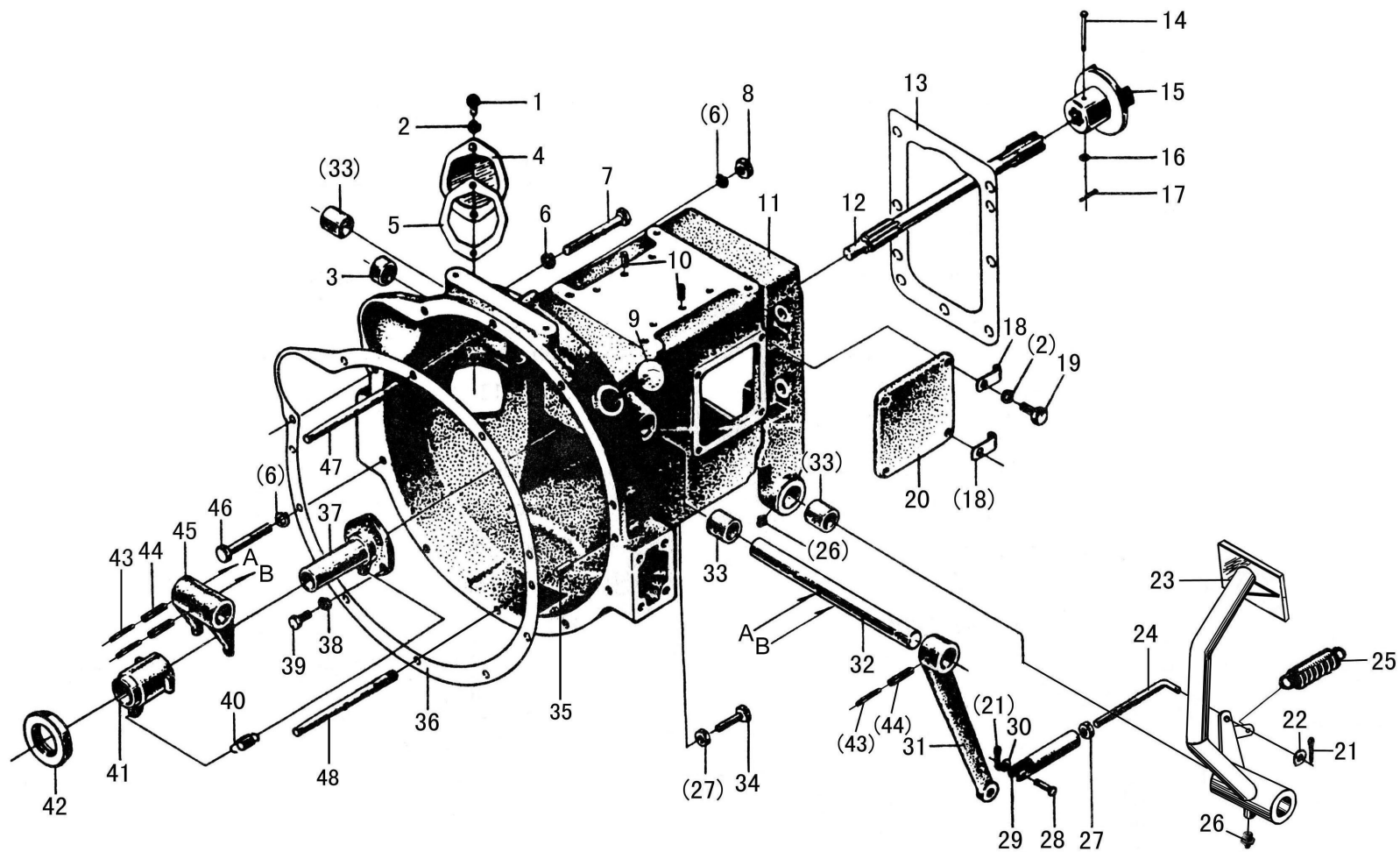
Cont. Dual Stage Clutch

序号 Ser. No.	代号 Part No.	名称	Name	数量 Qty.
24	非标准(Non-standard)	滚动轴承996713	Bearing996713	1
25	GB/T5782-1986	螺栓M10×70	Bolt M10×70	6
26	GB/T93-1987	垫圈10	Washer 10	6
27	184.21S.125	调整螺母	Adjusting nut	3
28	184.21S.124	调整压紧弹簧	Spring	3
29	184.21S.115	拉杆	Pull rod	3
30	304.21S.106	分离轴承座支座	Support release bearing seat	1
31	304.21S.113	分离轴承座纸垫	Paper gasket, release bearing seat	1
32	304.21S.143-1	复合衬套	Compound bush	1
33	304.21S.111	主离合器轴	Main clutch shaft	1
34	GB/T9877.1	油封FB35×55×8	Oil seal FB35×55×8	1
35	GB/T296	轴承3207-2Z	Bearing 3207-2Z	1
36	304.21S.150	挡圈40	Circlip for shaft 40	1
37	304.21S.109	主离合器联轴节主动套	Coupling driving sleeve, main clutch	1
38	304.21S.131	副离合器轴	Secondary clutch shaft	1
39	304.21S.107-1	密封套	Seal sleeve	1
40	304.21S.142-1	复合衬套	Compound bush	1
41	304.37S.245-1	轴套	Bush	1
42	304.21S.108	副离合器轴联轴节主动套	Coupling driving sleeve, secondary clutch	1
43	GB/T894.1	挡圈19	Circlip for shaft 19	1
44	GB/T308	钢球10.3188 G400b	Steel ball 10.3188 G400b	4
45	GB/T6170	螺母M10	Nut M10	1
46	304.21S.138	离合器推杆	Push rod	1

续. 双作用离合器总成

Cont. Dual Stage Clutch

序号 Ser. No.	代号 Part No.	名称	Name	数量 Qty.
47	GB/T93	垫圈8	Washer 8	3
48	GB/T5783	螺栓M8×20	Bolt M8×20	3
49	GB/T97.1	垫圈8	Washer 8	1
50	300.21.107	离合器推杆调整叉	Adjusting fork, clutch push rod	1
51	GB/T882	销轴B8×30	Axis pin B8×30	1
52	304.21S.105	离合器分离摇臂	Release rock arm, clutch	1
53	JB/T7940.1	直通式压注油杯M10×1	Oil cup M10×1	1
54	160.21.105	离合器踏板弹簧	Pedal return spring	1
55	300.21.015A	离合器踏板组合件	Clutch pedal assembly	1



过桥  
Intermediate Axle

## 过桥

### Intermediate Axle

序号 Ser. No.	代号 Part No.	名称	Name	数量 Qty.
1	GB/T5783	螺栓M10×20	Bolt M10×20	2
2	GB/T93	垫圈10	Spring lock washer 10	6
3	300.21.115	衬套	Bush	1
4	300.21.141	盖板	Cover plate	1
5	300.21.142	盖板纸垫	Paper gasket,cover plate	1
6	GB/T93	垫圈12	Spring lock washer 12	10
7	GB/T5782	螺栓M12×95-8.8	Bolt M12×95-8.8	1
8	GB/T6175	螺母M12	Nut M12	4
9	300.21.229	螺塞	Plug	1
10	GB/T119	圆柱销D8×16	Parallel pin D8×16	2
11	300.21.114-1	过桥壳体	Intermediate axle housing	1
12	350.21.131	离合器轴	Clutch shaft	1
13	300.21.140	过桥-变速箱纸垫	Paper gasket,intermediate axle and transmission	1
14	300.21.146	联轴节销	Coupling pin	1
15	300.21.143	主动联轴节	Driving coupling	1
16	GB/T97.1	垫圈5	Plain washer 5	1
17	GB/T91	开口销2×12	Split pin 2×12	1
18	300.21.215	线夹(2)	Clip (2)	2
19	GB/T5783	螺栓M10×25	Bolt M10×25	4
20	300.21.112	盖板	Cover plate	1
21	GB/T91	开口销3.2×16	Split pin 3.2×16	2
22	GB/T97.1	垫圈10	Plain washer 10	1

续. 过桥

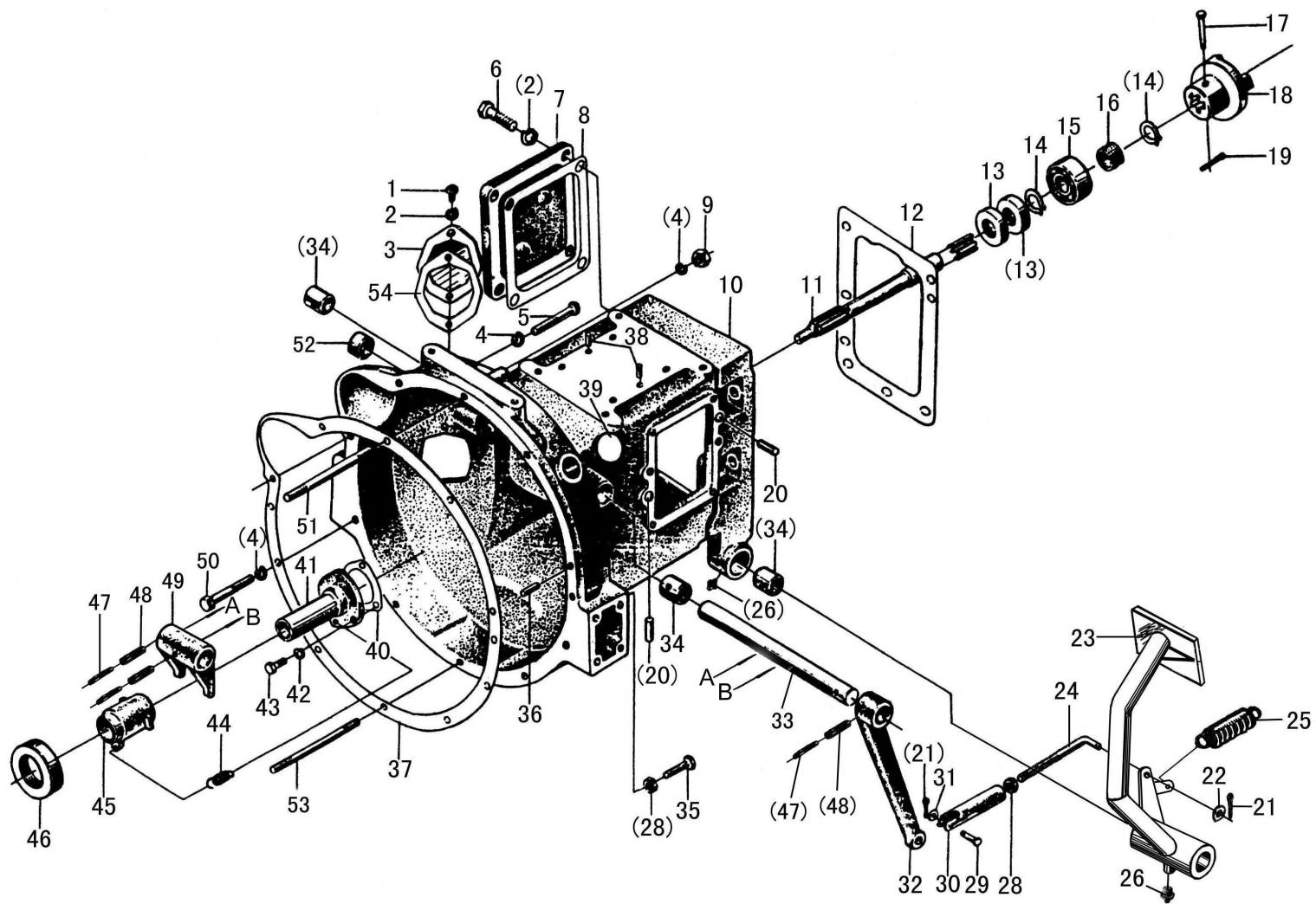
Cont. Intermediate Axle

序号 Ser. No.	代 号 Part No.	名 称	Name	数量 Qty.
23	300.21.015-2	离合器踏板焊合件	Clutch pedal assembly	1
24	300.21.106	离合器推杆	Clutch push rod	1
25	160.21.105	离合器踏板弹簧	Pedal return spring	1
26	JB/T7940.1	直通式压注油杯M10×1	Oil cup M10×1	3
27	GB/T6170	螺母M10	Nut M10	2
28	GB/T882	销轴B8×30	Clevis pin with head B8×30	1
29	300.21.107	离合器推杆调整叉	Adjusting fork,clutch push rod	1
30	GB/T97.1	垫圈8	Plain washer 8	1
31	300.21.105	离合器分离摇臂	Release rock arm,clutch	1
32	350.21.103	离合器分离叉轴	Release fork shaft,clutch	1
33	160.21.118	离合器踏板轴衬套	Bush	3
34	GB/T5783	螺栓M10×45	Bolt M10×45	1
35	GB/T119	销D12×25	Parallel pin D12×24	2
36	300.21.111	过桥纸垫	Paper gasket,intermediate axle	1
37	350.21.101-1	分离轴承座支座	Support,release bearing seat	1
38	GB/T93	垫圈8	Spring lock washer 8	3
39	GB/T5783	螺栓M8×20	Bolt M8×20	3
40	160.21.109	分离轴承座弹簧	Return spring,release bearing seat	1
41	350.21.130	分离轴承座	Return bearing seat	1
42	非标准(Non-standard)	轴承986911	Rolling bearing 996911	1
43	GB/T879	销5×40	Pin 5×40	3
44	GB/T879	销8×40	Pin 8×40	3

续. 过桥

Cont. Intermediate Axle

序号 Ser. No.	代 号 Part No.	名 称	Name	数量 Qty.
45	304.21S.102-1	离合器分离叉	Clutch release fork	1
46	GB/T5782	螺栓M12×80-8.8	Bolt M12×80-8.8	5
47	GB/T898	螺柱AM12-M12×100-8.8	Stud AM12-M12×100-8.8	1
48	GB/T898	螺柱AM12-M12×190-8.8	Stud AM12-M12×190-8.8	3



过桥(四轮驱动+单作用)  
Intermediate Axle (4WD and Single Stage Clutch)

过桥 (四轮驱动+单作用)

Intermediate Axle (4WD and Single stage clutch )

序号 Ser. No.	代 号 Part No.	名 称	Name	数量 Qty.
1	GB/T5783	螺栓M10×20	Bolt M10×20	2
2	GB/T93	垫圈10	Spring lock washer 10	6
3	300.21.141	盖板	Cover plate	1
4	GB/T93	垫圈12	Spring lock washer 12	10
5	GB/T5782	螺栓M12×95-8.8	Bolt M12×95-8.8	1
6	GB/T5783	螺栓M10×25	Bolt M10×25	4
7	300.21.112	盖板	Cover plate	1
8	300.21.230	盖板纸垫	Paper gasket,cover plate	1
9	GB/T6175	螺母M12	Nut M12	4
10	304.21.114-1	过桥壳体	Intermediate axle housing	1
11	354.21.131	离合器轴	Clutch shaft	1
12	300.21.140	过桥-变速箱纸垫	Paper gasket between intermediate axle and transmission	1
13	GB/T9877.1	旋转轴唇形密封圈FB30×50×8	Oil Seal FB30×50×8	2
14	GB/T894.1	挡圈30	Circlip for shaft 30	2
15	GB /T276	轴承6206	Rolling bearing 6206	1
16	304.21.302	隔离套	Spacing sleeve	1
17	300.21.146	联轴节销	Coupling pin	1
18	300.21.143	主动联轴节	Driving coupling	1
19	GB/T91	销2×12	Split pin 2×12	1
20	GB/T119	销D10×22	Parallel pin D10×22	4
21	GB/T91	销3.2×16	Split pin 3.2×16	2

续. 过桥 (四轮驱动+单作用)

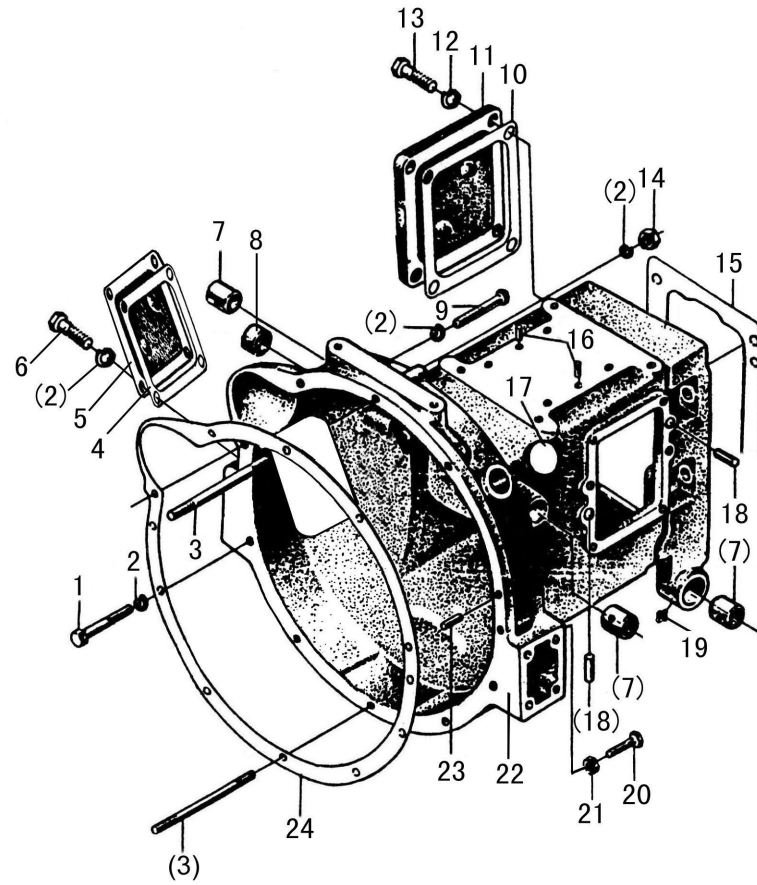
Cont. Intermediate Axle (4WD and Single stage clutch )

序号 Ser. No.	代 号 Part No.	名 称	Name	数量 Qty.
22	GB/T97.1	垫圈10	Plain washer 10	1
23	300.21.015-2	离合器踏板焊合件	Clutch pedal	1
	304.21.015	离合器踏板焊合件(配液压转向)	Clutch pedal (For Power Steering)	1
24	300.21.106	离合器推杆	Clutch push rod	1
25	160.21.105	离合器踏板弹簧	Pedal return spring	1
26	JB/T7940.1	直通式压注油杯M10×1	Oil cup M10×1	3
27				
28	GB/T6170	螺母M10	Nut M10	2
29	GB/T882	销轴B8×30	Clevis pin with head B8×30	1
30	300.21.107	离合器推杆调整叉	Adjusting fork,clutch push rod	1
31	GB/T97.1	垫圈8	Plain washer 8	1
32	300.21.105	离合器分离摇臂	Release rock arm,clutch	1
33	350.21.103	离合器分离叉轴	Release fork shaft,clutch	1
34	160.21.118	离合器踏板轴衬套	Bush	3
35	GB/T5783	螺栓M10×45	Bolt M10×45	1
36	GB/T119	销D12×25	Parallel pin D12×25	2
37	300.21.111	过桥纸垫	Paper gasket,intermediate axle	1
38	GB/T119	销D8×16	Parallel pin D8×16	2
39	300.21.229	螺塞	Plug	1
40	304.21.241	分离轴承座纸垫	Paper gasket,release bearing seat	1
41	354.21.101-1	分离轴承座支座	Support release bearing seat	1
42	GB/T93	垫圈8	Spring lock washer 8	3

续. 过桥 (四轮驱动+单作用)

Cont. Intermediate Axle (4WD and Single stage clutch )

序号 Ser. No.	代号 Part No.	名称	Name	数量 Qty.
43	GB/T5783	螺栓M8×20	Bolt M8×20	3
44	160.21.109	分离轴承座回位弹簧	Return spring,release bearing seat	1
45	350.21.130	分离轴承座	Release bearing seat	1
46	D18-996911	轴承986911	Rolling bearing 996911	1
47	GB/T879	销5×40	Pin 5×40	3
48	GB/T879	销8×40	Pin 8×40	3
49	304.21S.102-1	离合器分离叉	Coutch release fork	1
50	GB/T5782	螺栓M12×80-8.8	Blot M12×80-8.8	5
51	GB/T898	螺柱AM12-M12×100-8.8	Stud AM12-M12×100-8.8	1
52	300.21.115	衬套	Bush	1
53	GB/T898	螺柱AM12-M12×190-8.8	Stud AM12-M12×190-8.8	3
54	300.21.142	盖板纸垫	Paper gasket,cover plate	1



过桥（双作用离合器）  
Intermediate Axle (Dual Stsge Clutch)

过桥(双作用离合器)

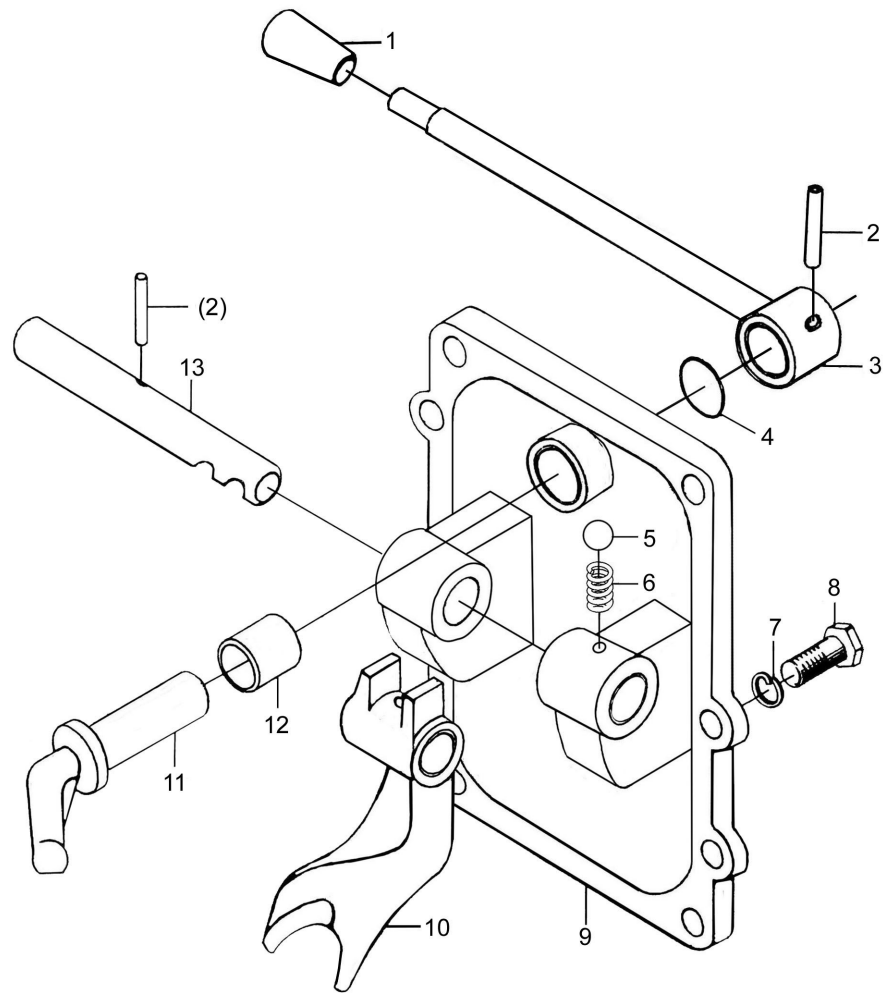
Intermediate Axle (Dual Stsge Clutch)

序号 Ser. No.	代号 Part No.	名称	Name	数量 Qty.
1	GB/T5782	螺栓M12×45-10.9	Blot M12×45-10.9	5
2	GB/T93	垫圈12	Spring lock washer 12	10
3	GB/T898	螺柱AM12-M12×100-8.8	Stud AM12-M12×100-8.8	4
4	304.21S.145	盖板纸垫	Paper gasket,cover plate	1
5	304.21S.146	窗口盖板	Cover plate	1
6	GB/T5783	螺栓M12×20	Blot M12×20	4
7	160.21.118	离合器踏板轴衬套	Bush	3
8	300.21.115	衬套	Bush	1
9	GB/T5782	螺栓M12×50-10.9	Bolt M12×50-10.9	1
10	300.21.230	盖板纸垫	Paper gasket,cover plate	1
11	300.21.112	盖板	Cover plate	1
12	GB/T93	垫圈10	Spring lock washer 10	4
13	GB/T5783	螺栓M10×25	Blot M10×25	4
14	GB/T6175	螺母M12	Nut M12	4
15	300.21.140	过桥-变速箱纸垫	Paper gasket between intermediate axle and transmission	1
16	GB/T119	销D8×16	Parallel pin D8×16	2
17	300.21.229	螺塞	Plug	1
18	GB/T119	销D10×22	Parallel pin D10×22	4
19	JB/T7940.1	直通式压注油杯M10×1	Oil cup M10×1	3
20	GB/T5783	螺栓M10×45	Blot M10×45	1
21	GB/T6170	螺母M10	Nut M10	1
22	304.21S.114-1	过桥壳体	Intermediate axle housing	1

续.过桥(双作用离合器)

Cont Intermediate Axle (Dual Stsge Clutch)

序号 Ser. No.	代号 Part No.	名称 Name	数量 Qty.
23	GB/T119	销D12×25	2
24	300.21.111	过桥纸垫	1



前驱动拨叉（四轮驱动）  
Front Drive Release Fork(Four wheel drive)

前驱动拨叉(四轮驱动)

Front Drive Release Fork (Four wheel drive)

序号 Ser. No.	代号 Part No.	名称	Name	数量 Qty.
1	184.37.043	前驱动手柄球	Handle control lever assembly	1
2	GB/T879	销5×24	Pin 5×24	2
3	304.21.020-2	操纵杆焊合件	Control rod weldment assembly	1
4	GB/T3452.1	O形密封圈15×2.65	O-ring 15×2.65	1
5	GB/T308	钢球8.7312 G400b	Steel ball 8.7312-G400b	1
6	160.37.148	拨叉轴锁定弹簧	Locking spring,release fork shaft	1
7	GB/T93	垫圈10	Spring lock washer 10	6
8	GB/T5783	螺栓M10×25	Bolt M10×25	6
9	304.21.237-2	拨叉总成座板	Seat plate,release fork assembly	1
10	304.21.233	前驱动拨叉	Front drive release fork	1
11	304.21.234	拨头轴	Shaft,release fork head	1
12	304.21.235	轴套	Bush	1
13	304.21.236	前驱动拨叉轴	Shaft,front drive release fork	1