

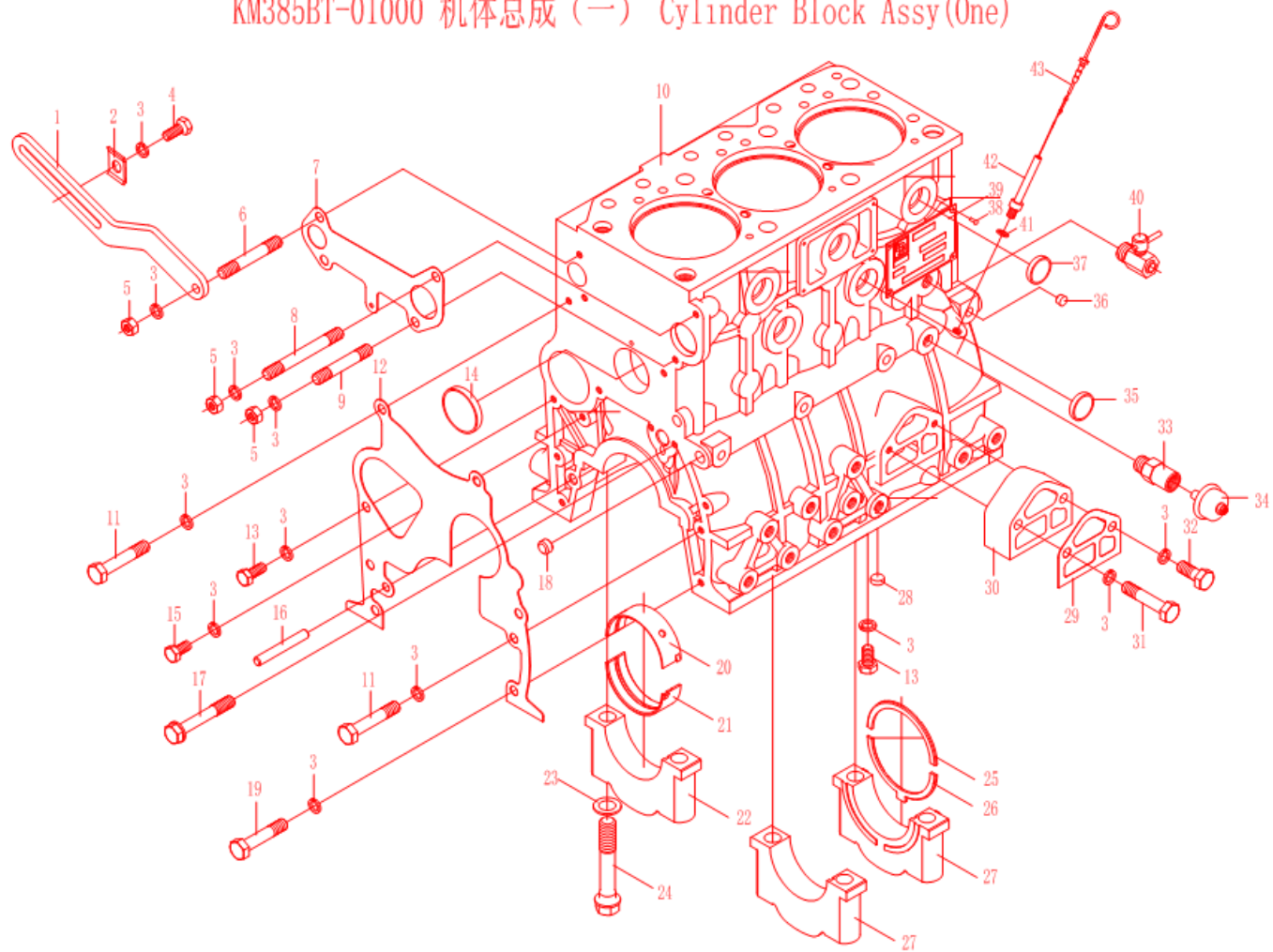
Cylinder Block Assy (One) 机体总成 (一)

序号 Ser No	图号 Parts No	名称 Name of Parts	数量Qty	备注 Remarks
1	KM385T-01029	发电机调整支架 Alternator adjustable support	1	
2	GB97.1-85	垫圈8 Washer 8	1	
3	GB93-87	垫圈8 Washer 8	34/50	
4	GB5783-86	螺栓M8×35 Bolt M8×35	1	
5	GB6170-86	螺母M8 Nut M8	4	
6	GB898-88	螺柱M8×65 Bolt M8×65	1	
7	L375-01006	水泵后盖垫片 Water rear cover gasket	1	
8	GB898-88	螺柱M8×90 Bolt M8×90	1	
9	GB898-88	螺柱M8×60 Bolt M8×60	2	
10	KM385TE-01111	机体 Cylinder block	1	
11	GB5782-86	螺柱M8×55 Bolt M8×55	6	
12	L375-01007	齿轮室垫片 Gear case cover gasket	1	
13	GB5783-86	螺栓M8×20 Bolt M8×20	2	
14	D495QB-01024	碗形塞片φ55 Blind plug φ55	1	
15	GB5783-86	螺栓M8×16 Bolt M8×16	2	
16	GB119-86	销B8×50 Pin B8×50	3	
17	4L22BT-01021	惰齿轮螺栓 Idle Bolt M10×70	2	
18	L375-01104	主油道堵塞 Main bearing stopper	1/2	
19	L375-01106	主轴承盖定位套 Locating sleeve of main bearing cap	2	
20	KM485QB-01015	主轴瓦上瓦 Main bearing(upper shell)	5	
21	KM485QB-01016	主轴瓦下瓦 Main bearing(lower shell)	5	
22	KM485QB-01112	主轴承盖 Main bearing cap	3	
23	L375-01110	主轴承盖螺栓垫圈 Washer of main bearing cap bolt	10	
24	L375-01111	主轴承盖螺栓 Main bearing cap bolt	10	

Cylinder Block Assy(One) 机体总成（一）

序号 Ser No	图号 Parts No	名称 Name of Parts	数量Qty	备注 Remarks
25	KM485QB-01007	曲轴上止推片 Upper thrust piece of crankshaft	2	
26	KM485QB-01008	曲轴下止推片 Lower thrust piece of crankshaft	2	
27	KM485QB-01113	后主轴承盖 Rear main bearing cover	1	
28	D495QB-03109	碗形塞片φ12 Blind plug φ12	1	
29	L375-01027	机油滤清器垫片 Oil filter gasket	1	
30	KM385T-01027	机油滤清器垫块 Oil filter padding block	1	
31	GB5782-86	螺栓M8×50 Bolt M8×50	1	
32	GB5783-86	螺栓M8×25 Bolt M8×50	1	
33	KM385T-01035	机油压力表接头 Connecting pipe for pressure sensor	1	
34	L375-12500	机油压力感应塞 Oil pressuer sensor	1	
35	D495QB-01014	碗形塞 Bowl shape plug	2	
36	L375-01105-1	锥堵 Taper plug	4	
37	D495QB-01024	碗形塞片φ32 Blind plug φ32	3	
38	GB827-86	铆钉2×6 Rivet2×6	4	
39	L375-03302-8	铭牌 Brand mark plate	1	
40	4L22BT-01600	放水开关 Water drain cock	1	
41	195-13007	垫圈（铜） Washer	1	
42	L375-01320-1	机油尺管焊接件 Dipstick sleeve weldment	1	
43	KM385T-01310	机油尺部件 Oil level dipstick	1	

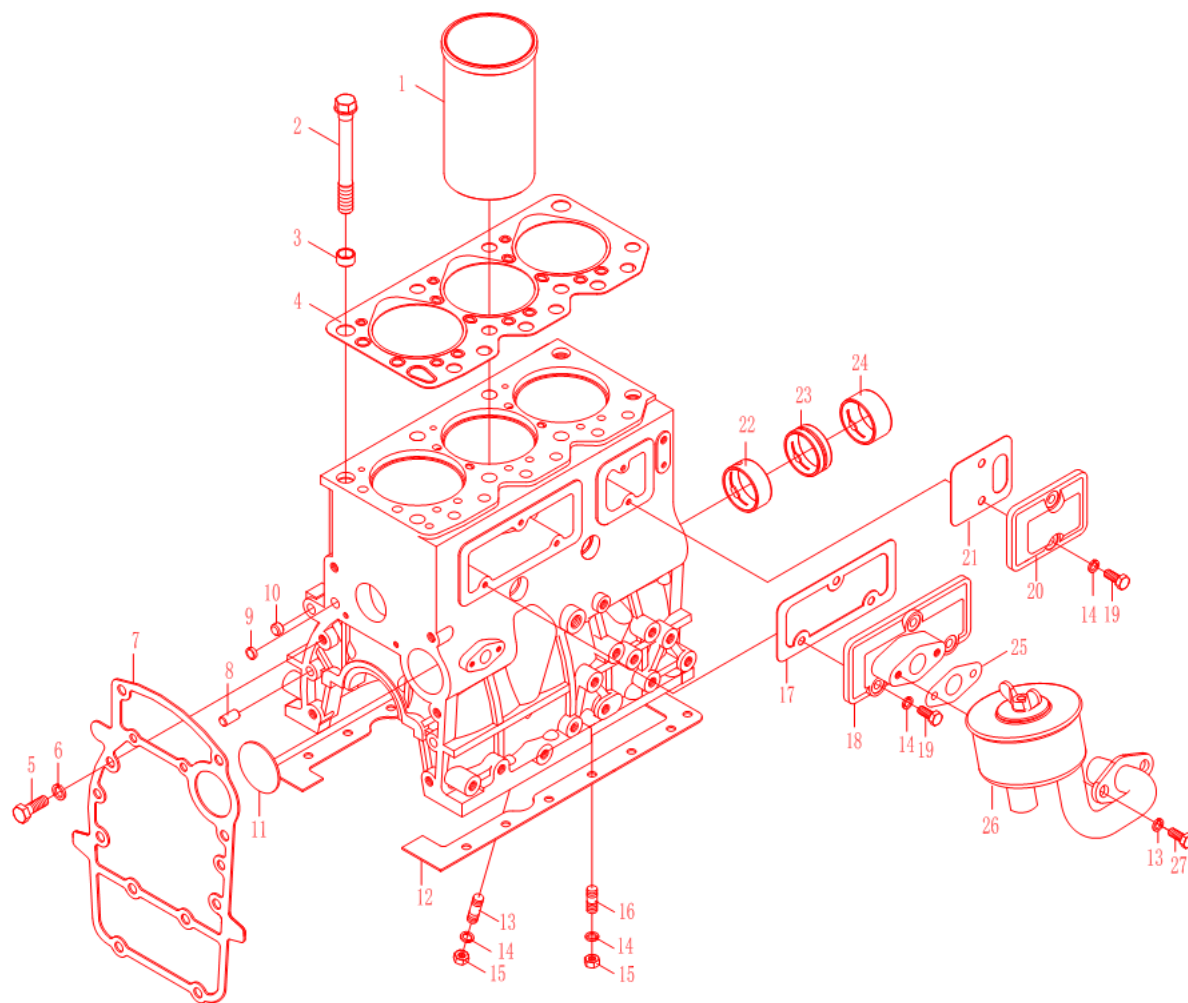
KM385BT-01000 机体总成 (一) Cylinder Block Assy(One)



Cylinder Block Assy(Two) 机体总成 (二)

序号 Ser No	图号 Parts No	名称 Name of Parts	数量Qty	备注 Remarks
1	KM485QB--01003	气缸套 Cylinder liner	3	
2	KM485QB-01005	缸盖螺栓 Cylinder head stud	8	
3	L375-01103	定位套 Locating sleeve	2	
4	KM385QB-01002	气缸盖垫片 Cylinder head gasket	1	
5	GB5783-86	螺栓M10×30 Bolt M10×30	6	
6	GB93-87	垫圈10 Washer 10	6	
7	KM385T-01018	飞轮壳垫片 Flywheel housing gasket	1	
8	GB119-86	销B10×20 Pin B10×20	2	
9	L375-01115	碗形塞片φ10 Blind plug φ10	2	
10	L375-01104	主油道堵塞 Main oil chanel plug	1/2	
11	L375-01102	塞片φ55 Plug φ55	1	
12	KM385T-01017	油底壳垫片 Oil sump gasket	1	
13	GB898-88	螺柱M8×22 Bolt M8×22	1	
14	GB93-87	垫圈8 Washer8	28	
15	GB6170-86	螺母M8 Nut M8	22	
16	GB898-88	螺柱M8×16 Stud M8×25	16	
17	KM385T-01014	侧盖 (I) 垫片 Side cover (I) spacer	1	
18	LL480-01013-3	侧盖 (II) Side cover (I)	1	
19	GB5783-86	螺栓M10×25 Bolt M10×25	5	
20	LL380-01012	侧盖 (II) Side cover (II) spacer	1	
21	LL380-01015	侧盖 (II) 垫片 Side cover (II)	1	
22	L375-01114	凸轮轴后衬套 Front bush of camshaft	1	
23	L375-01113	凸轮轴中衬套 Middle bush of camshaft	1	
24	L375-01112	凸轮轴前衬套 Rear bush or camshaft	1	
25	KM485QB-01011	呼吸器垫片 Respirator gasket	1	
26	KM385T-01200-1	呼吸器部件 Respirator	1	
27	GB5783-86	螺栓M8×18 Bolt M8×18	2	

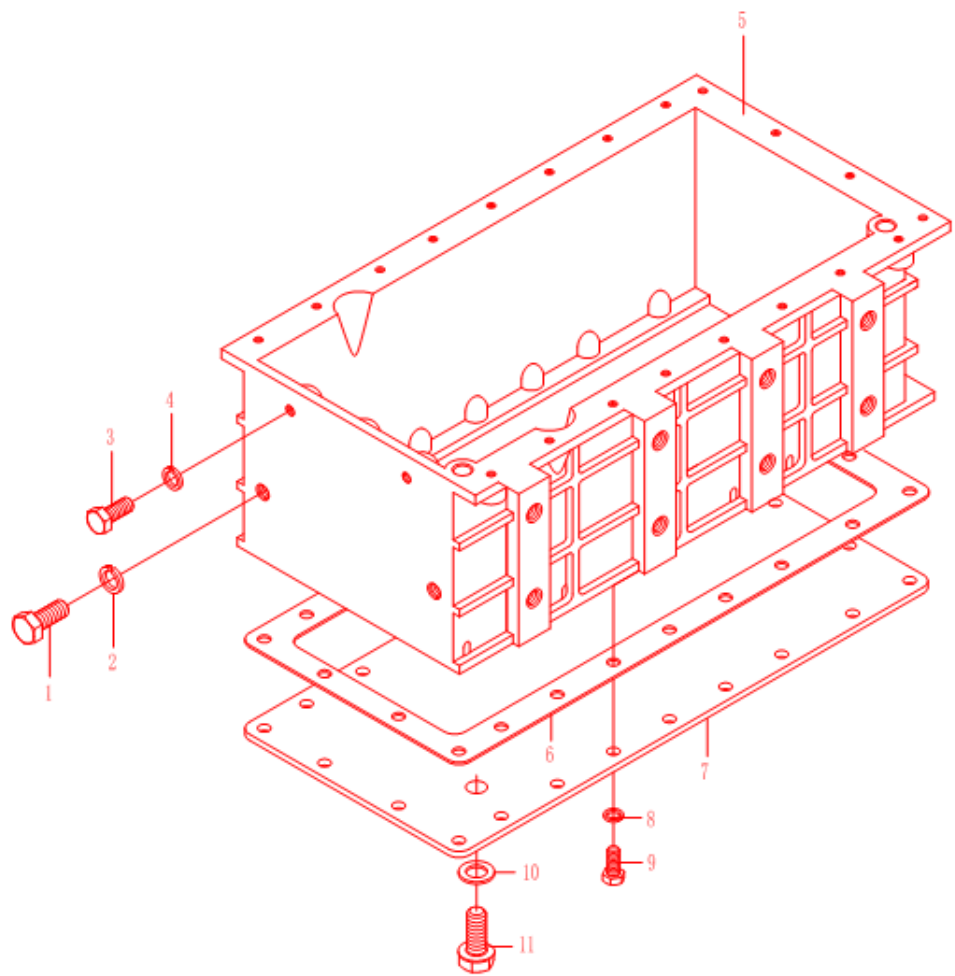
机体总成 (二) Cylinder Block Assy(Two)



Cylinder Block Assy(Three) 机体总成（三）

序号 Ser No	图号 Parts No	名称 Name of Parts	数量Qty	备注 Remarks
1	GB5783-86	螺栓M12×25 Bolt M12×25	2	
2	GB93-87	垫圈12 Washer12	2	
3	GB5783-86	螺栓M10×25 Bolt M10×25	2	
4	GB93-87	垫圈10 Washer10	2	
5	KM385T-015101	油底壳 Oil sump	1	
6	KM385T-015111	油底壳盖垫片 Oil sump cover gasket	1	
7	KM385T-015104	油底壳盖 Oil sump cover	1	
8	GB93-87	垫圈8 Washer 8	18	
9	GB5783-86	螺栓M8×18 Bolt M8×18	18	
10	LL380-01503	A形组合垫圈 A type washer	1	
11	LL380-01501	放油螺塞 Oil drain plug	1	

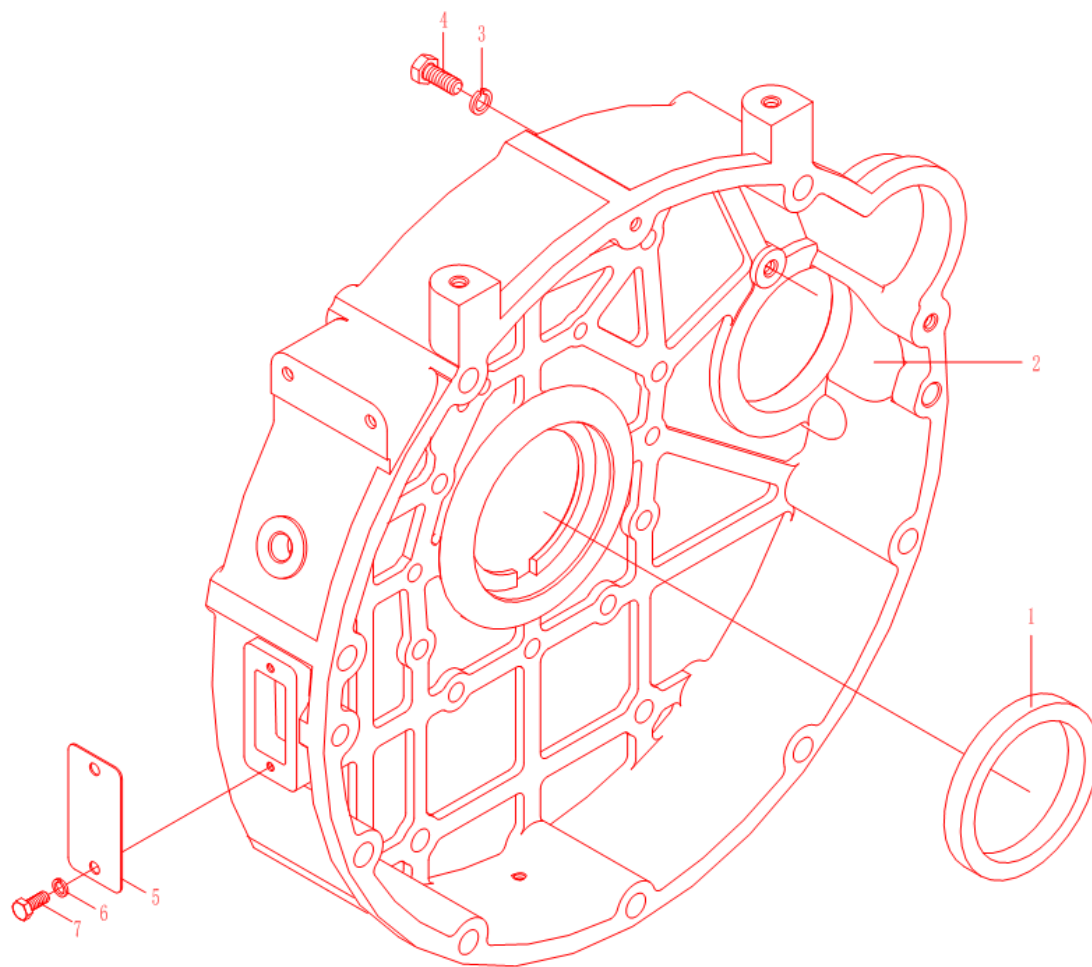
KM385BT机体总成 (三) Cylinder Block Assy(Three)



Cylinder Block Assy(Four) 机体总成（四）

序号 Ser	图号 Parts No	名称 Name of Parts	数量Qty	备注 Remarks
1	JB2600-80	油封DL80×100×12 Oil seal DL80×100×12	1	
2	KM385T-01010-4	飞轮壳 Flywheel housing	1	
3	GB93-87	垫圈10 Washer 10	2	
4	GB5783-86	螺栓M10×30 Bolt M10×30	2	
5	LL480-01025	盖板 Cover board	1	
6	GB93-87	垫圈8 Washer 8	2	
7	GB5783-86	螺栓M8×18 Bolt M8×18	2	

KM385TE-01000 机体总成(四) Cylinder Block Assy(Four)



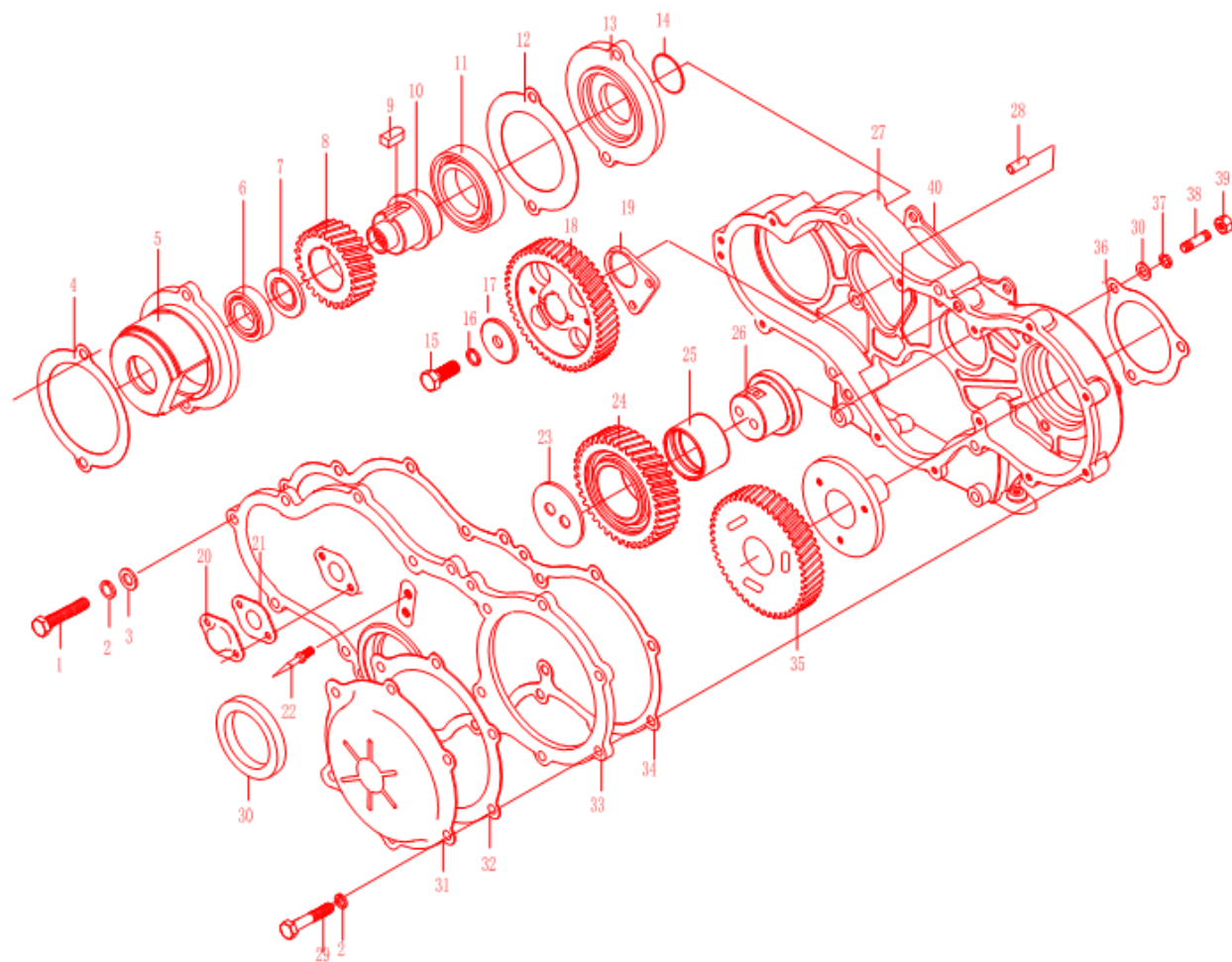
Cylinder Block Assy(Five) 机体总成（五）

序号 Ser No	图号 Parts No	名称 Name of Parts	数量Qty	备注 Remarks
1	GB5783-86	螺钉M8×30 Bolt M8×30	1	
2	GB97.1-85	垫圈8 -100HV Washer 8-100HV	2	
3	GB93-87	垫圈8 Washer 8	1	
4	KM385T-01708	液压泵连接过渡板垫片 Hydraulic pump transition connecting plate	1	
5	KM385T-01703	液压泵传动轴承座 Hydraulic pump	1	
6	GB276-94	深沟球轴承 Bearing	1	
7	KM385T-01706	轴承垫圈 Bearing holddown circlip	1	
8	KM385T-01704	液压泵传动齿轮 Hydraulic pump transition gear	1	
9	GB1096-79	平键C10×22 Key C10×22	1	
10	KM385T-01702	液压泵传动轴 Hydraulic pump transition axile	1	
11	GB292-94	角接触球轴承 Bearing 7008C	1	
12	KM385T-01708	液压泵连接过渡板垫片 Hydraulic pump transition connecting plat	1	
13	KM385T-01701	液压泵连接过渡板 Hydraulic pump transition connecting plate	1	
14	GB/T3452.1-2005	O形圈37.5×2.65 O- ring 37.5 ×2 .65	1	
15	GB5783-86	螺栓M12×35 Bolt M12×35	1	
16	GB97.1-85	垫圈 12-100HV Washer 12-100HV	1	
17	KM385T-02013	凸轮轴正时齿轮压板 Camshaft timing gear holddown	1	
18	KM385T-02003	凸轮轴正时齿轮 Camshaft timing gear	1	
19	L375-02004	凸轮轴正时齿轮挡圈 Camshaft timing gear block ring	1	
20	KM385T-01012	正时齿轮室盖盖板 Timing gear case cover	1	
21	KM385T-01036	转速传感器垫片 Sensor gasket	1	
22	KM385T-01034	上止点指针 Upper death point showing needle	1	
23	L375-01014	惰齿轮压板 Idle gear holddown	1	
24	KM385T-01402	惰齿轮 Idle gear	1	

Cylinder Block Assy(Five) 机体总成 (五)

序号 Ser No	图号 Parts No	名称 Name of Parts	数量 Qty	备注 Remarks
25	KM385T-01401	正时惰齿轮衬套 Idle gear bushing	1	
26	LL480-01015	正时惰齿轮轴 Idle gear axle	1	
27	KM385T-01007-1	正时齿轮室 Timing gear case	1	
28	GB119-86	销B8 Pin8	1	
29	GB5782-86	螺栓 M8× 55 Bolt M8 ×55	1	
30	JB2600-80	骨架油封 DR55 ×75 × 12 Cased rubber oil seal	1	
31	L375-01025-1	齿轮室前盖 Gear case front cover	1	
32	L375-01030	齿轮室前盖垫片 Gear case front cover gasket	1	
33	KM385T-01015	正时齿轮室盖 Timing gear case cover	1	
34	KM385T-01009	齿轮室盖垫片 Gasket of gear case cover gasket	1	
35	KM385T-10900	提前器总成 Oil injection advacer assy	1	
36	L375-01010	喷油泵垫片 Fuel pump fasten gasket	1	
37	GB93-87	垫圈 8 Washer 8	1	
38	GB898-88	双头螺柱 M8 ×20 Stud M8 ×20	1	
39	GB6170-86	螺母 M8 Nut M8	1	
40	L375-01007	齿轮室垫片 Gear case gasket	1	
41	L375-01012	喷油泵齿轮联接盘 Fuel pump gear linker	1	
	KM385T-01700-1	液压泵传动部件 Hydraulic pump transition Assy		

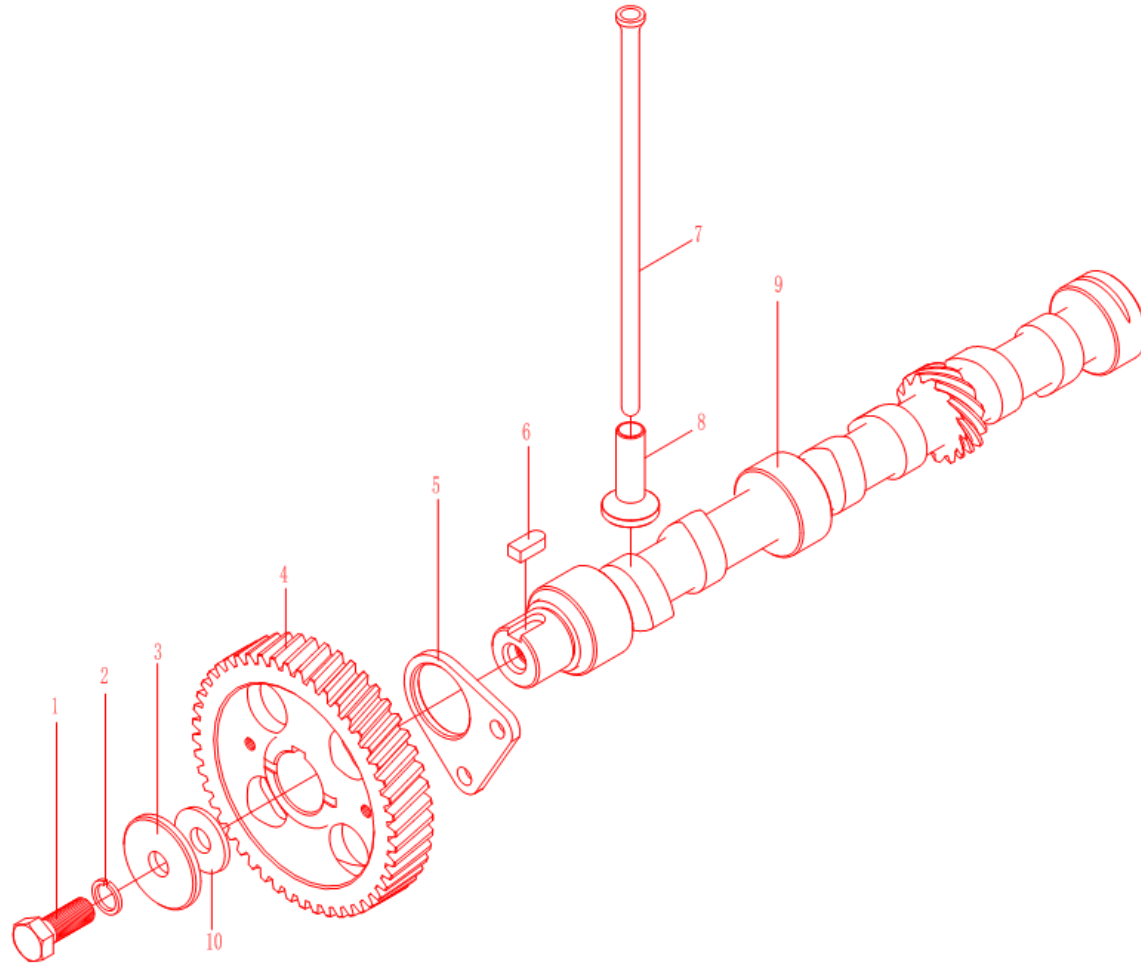
KM385BT-01000机体总成 (五) Cylinder Block Assy(Five)



Timing Gear and Camshaft Assy 凸轮轴总成

序号 Ser No	图号 Parts No	名称 Name of Parts	数量Qty	备注 Remarks
1	GB5783-86	螺栓M12×35 Bolt M12×35	1	
2	GB93-87	垫圈12 Washer 12	1	
3	KM385T-02012	凸轮轴齿轮挡圈 (I) Camshaft gear circlip	1	
4	KM385T-02003	凸轮轴正时齿轮 Camshaft gear	1	
5	L375-02002	凸轮轴止推板 Camshaft thrust gasket	1	
6	GB1096-79	键C8×18 Key C8×18	1	
7	LL480-02003	推杆 Valve push rod	6	
8	L375-02005	挺柱 Valve tappet	6	
9	L375-02001	凸轮轴 Camshaft	1	
10	KM385T-02013	凸轮轴齿轮挡圈 (II) Camshaft gear circlip	1	

KM385BT-02000凸轮轴总成 Timing Gear and Camshaft Assy



KM385BT-03000气缸盖总成Cylinder Head Assy

序号 Ser No	图号 Parts No	名称 Name of Parts	数量Qty	备注 Remarks
1	L375-03005	加机油口盖 Filler cap	1	
2	GB923-76	盖形螺母M8 Nut M8	3	
3	L375-03302-5	防漏垫圈φ8 Antileak washer	3	
6	LL380B-03301	气缸盖罩 Cylinder head cover	1	
7	LL380B-03002	气缸盖罩垫片 Cylinder head cover gasket	1	
8	GB6170-86	螺母 M8 Nut M8	15	
9	GB93-87	垫圈8 Washer 8	26	
10	GB898-88	螺柱M8×25 Bolt M8×25	12	
11	KM485QB-03006	排气管垫片 Exhaust pipe gasket	3	
12	GB97.1-85	垫圈8 Washer 8	6	
13	L375-03001	摇臂座固定螺栓 Rocker arm seat fixed bolt	3	
14	GB5783-86	螺栓M8×20 Bolt M8×20	4	
15	L375-03012	后吊环 Rear slinger	1	
16	GB6171-86	螺母M8×1 Bolt M8×1	6	
17	LL480B-03201	气门间隙调整螺钉 Valve clearance adjusting screw	6	
18	GB5782-86	螺栓M8×60 Bolt M8×60	3	
19	L375-03206	摇臂轴定位螺钉 Rocker shaft locating screw	1	
20	GB848-85	垫圈6-100HV Washer 6-100HV	1	
21	LL480B-03009	气门弹簧上座 Valve spring seat(upper)	6	
22	LL480B-03008	气门锁夹 Valve clamp	12	

KM385BT-03000气缸盖总成Cylinder Head Assy

序号 Ser No	图号 Parts No	名称 Name of Parts	数量Qty	备注 Remarks
--------------	-------------	------------------	-------	---------------

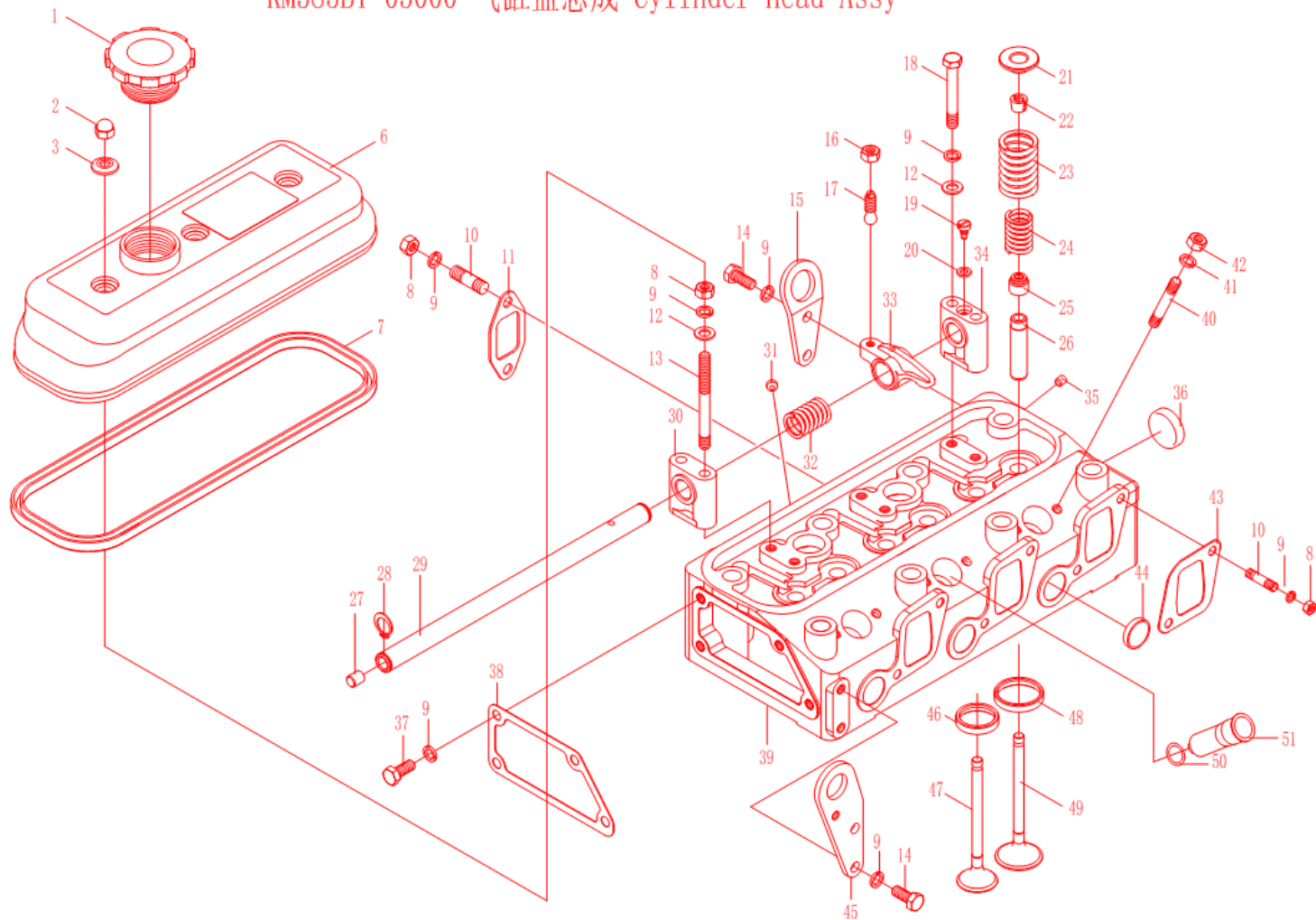
23	L375-03015	气门外弹簧	Valve outer spring	6	
24	L375-03007	气门内弹簧	Valve inner spring	6	
25	LL480B-03019	气门油封	Valve oil seal	6	
26	KM485QB-03102	气门导管	Valve guide	6	
27	L375-01115	碗形塞片φ10	Blind plugφ10	2	
28	GB894.1-86	挡圈 16	Circlip16	2	
29	L375-03205	摇臂轴	Rockshaft	1	
30	L375-03202	摇臂轴支座	Rockshaft bracket	2	
31	L375-03107	碗形塞片φ8.3	Blind plugφ8.3	4	
32	L375-03204	摇臂轴弹簧	Valve rocker shaft spring	2	
33	LL480B-03210	气门摇臂加工合件	Valve rocker arm	6	
34	L375-03207	摇臂轴后支座	Rockershaft rear arm	1	
35	D495QB-03110	油道堵塞φ6	Stopperφ6	1	
36	D495QB-01024	碗形塞片φ32	Blind plugφ32	1	
37	GB5783-86	螺栓M8×25	Bolt M8×25	4	
38	L375-03010	节温器壳垫片	Thermostat housing gasket	1	
39	KM385QB-03101	气缸盖	Cylinder head	1	
40	LL480B-03114	喷油器固定螺栓	Fuel injector bolt	6	
41	GB93-87	垫圈6	Washer 6	6	
42	GB804-88	螺母 M6	Nut M6	6	
43	LL480B-03013	进气管垫片	Intake pipe gasket	3	

KM385BT-03000气缸盖总成Cylinder Head Assy

序号 Ser No	图号 Parts No	名称 Name of Parts	数量Qty	备注 Remarks
--------------	-------------	------------------	-------	---------------

44	L375-03106	碗形塞片φ25	Blind plugφ25	5
45	L375-03011-1	前吊环焊接部件	Front stationary rings	1
46	LL480B-03104	排气门座	Exhaut valve seat	3
47	LL480B-03015	排气门	Exhaut valae	3
48	LL480B-03103	进气门座	Intake valve seat	3
49	LL480B-03014	进气门	Intake valve	3
50	LL480B-03113	O型圈	O-ring	3
51	LL480B-03111	喷油器镶套	Nozzle busing	3

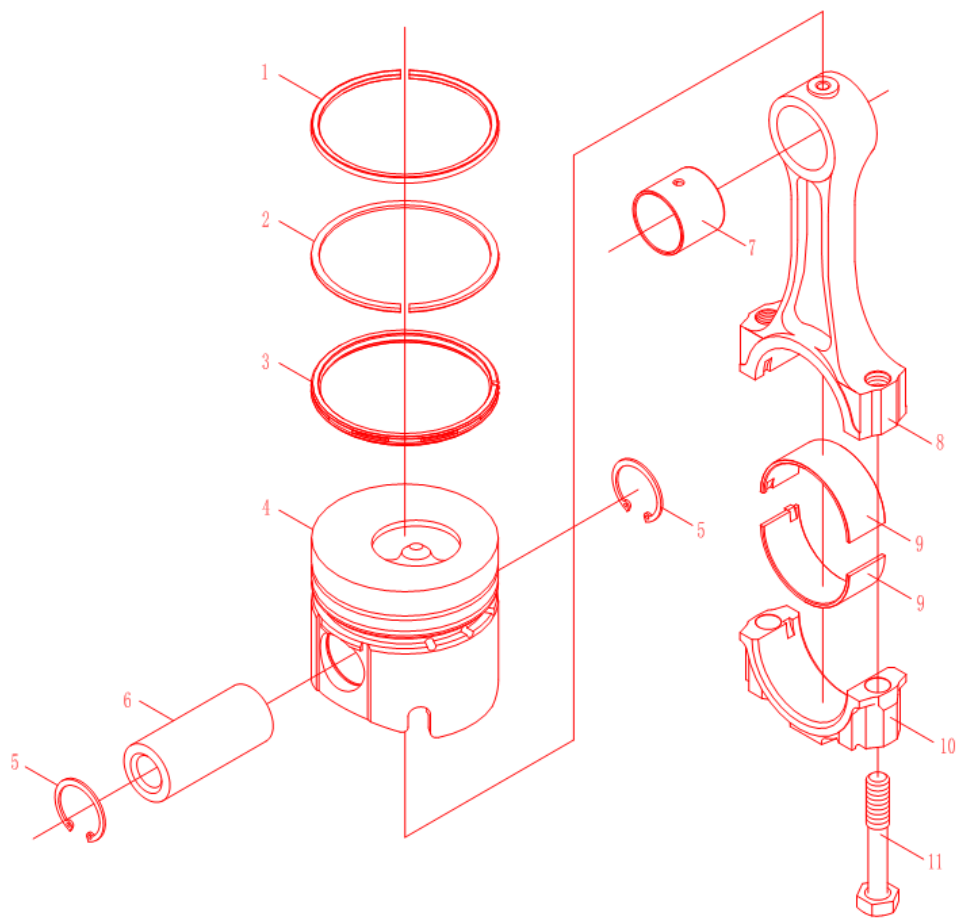
KM385BT-03000 气缸盖总成 Cylinder Head Assy



KM385BT活塞连杆总成 Piston-connecting Rod Assy

序号 Ser No	图号 Parts No	名称 Name of Parts	数量Qty	备注 Remarks
1	KM485QB-04001	第一道气环 1st compression ring	1	
2	KM485QB-04002	第二道气环 2nd compression ring	1	
3	KM485QB-04100	油环部件 Oil sraper ring	1	
4	KM485QB-04005	活塞 Piston	1	
5	KM485QB-04004	活塞销 Piston pin	1	
6	GB893.1-86	活塞销挡圈 $\phi 28$ Circlip $\phi 28$	2	
7	KM485QB-04201	连杆衬套 Connecting rod bushing	1	
8	KM485QB-04202	连杆 Connecting rod	1	
9	KM485QB-04003	连杆轴瓦 Connecting rod bearing	2	
10	KM485QB-04203	连杆盖 Connecting rod cover	1	
11	LL480-04204	连杆螺栓 Connecting rod bolt	2	

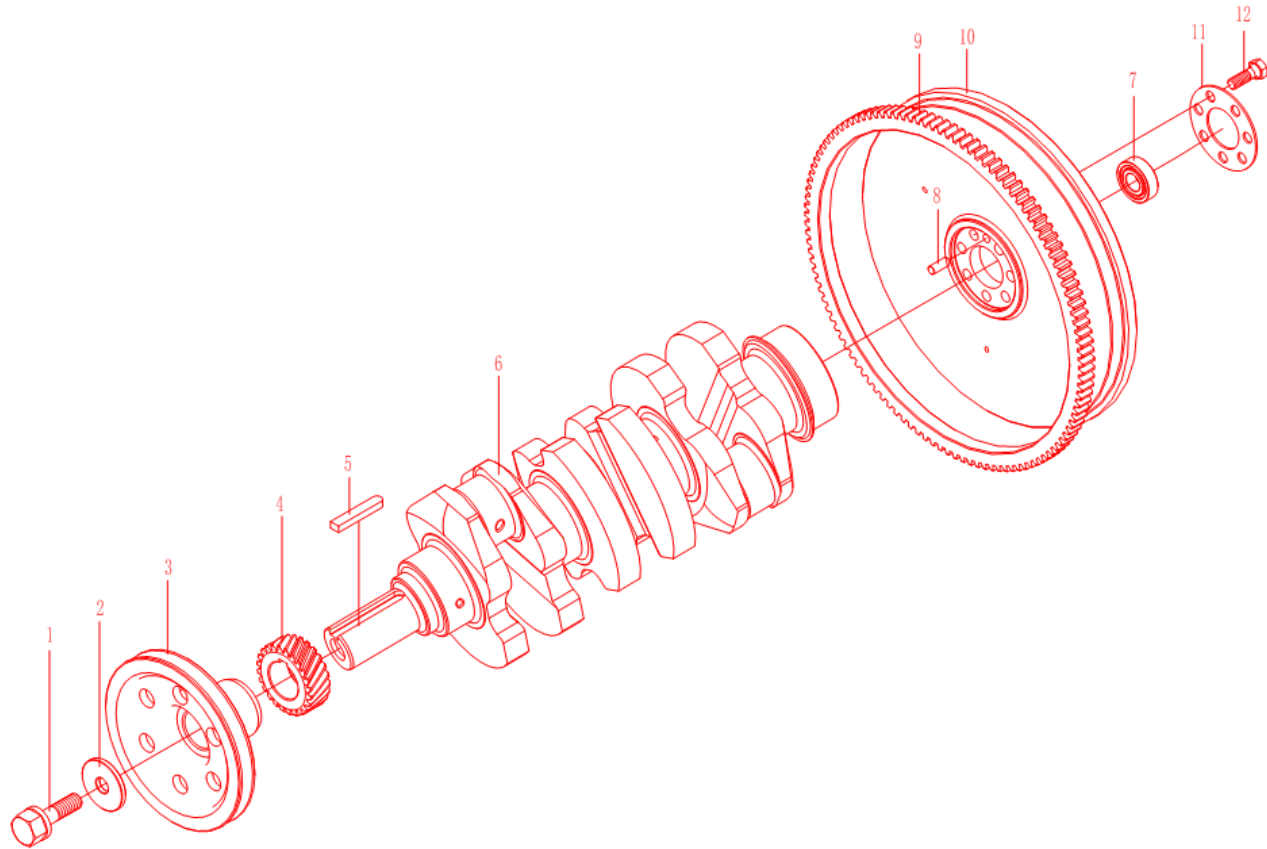
KM385BT-04000活塞连杆总成 Piston-connecting Rod Assy



KM385BT曲轴飞轮总成Crankshaft-fly wheel Assy

序号 Ser No	图号 Parts No	名称 Name of Parts	数量Qty	备注Remarks
1	KM385T-05006	起动爪 Starting claw	1	
2	L375-05005	起动爪垫板 Starting claw washer	1	
3	KM385T-05005-4	曲轴皮带轮 Crankshaft belt pulley	1	
4	KM385T-05007	曲轴正时齿轮 Crankshaft timing gear	1	
5	GB1096-79	键C10×63 Key C10×63	1	
6	KM385QB-05003	曲轴 Crankshaft	1	
7	GB/T276-94	深沟球轴承6203 Bearing 6203	1	
8	GB119-86	销B8×20 Pin B8×20	1	
9	LL480-05102	飞轮齿圈 Gear ring for fly wheel	1	
10	KM385T -05101-5	飞轮 Fly wheel	1	
11	L375-05002	飞轮螺栓垫板 Fly wheel bolt backing plate	1	
12	KM385T-05001	飞轮螺栓 Fly wheel	6	

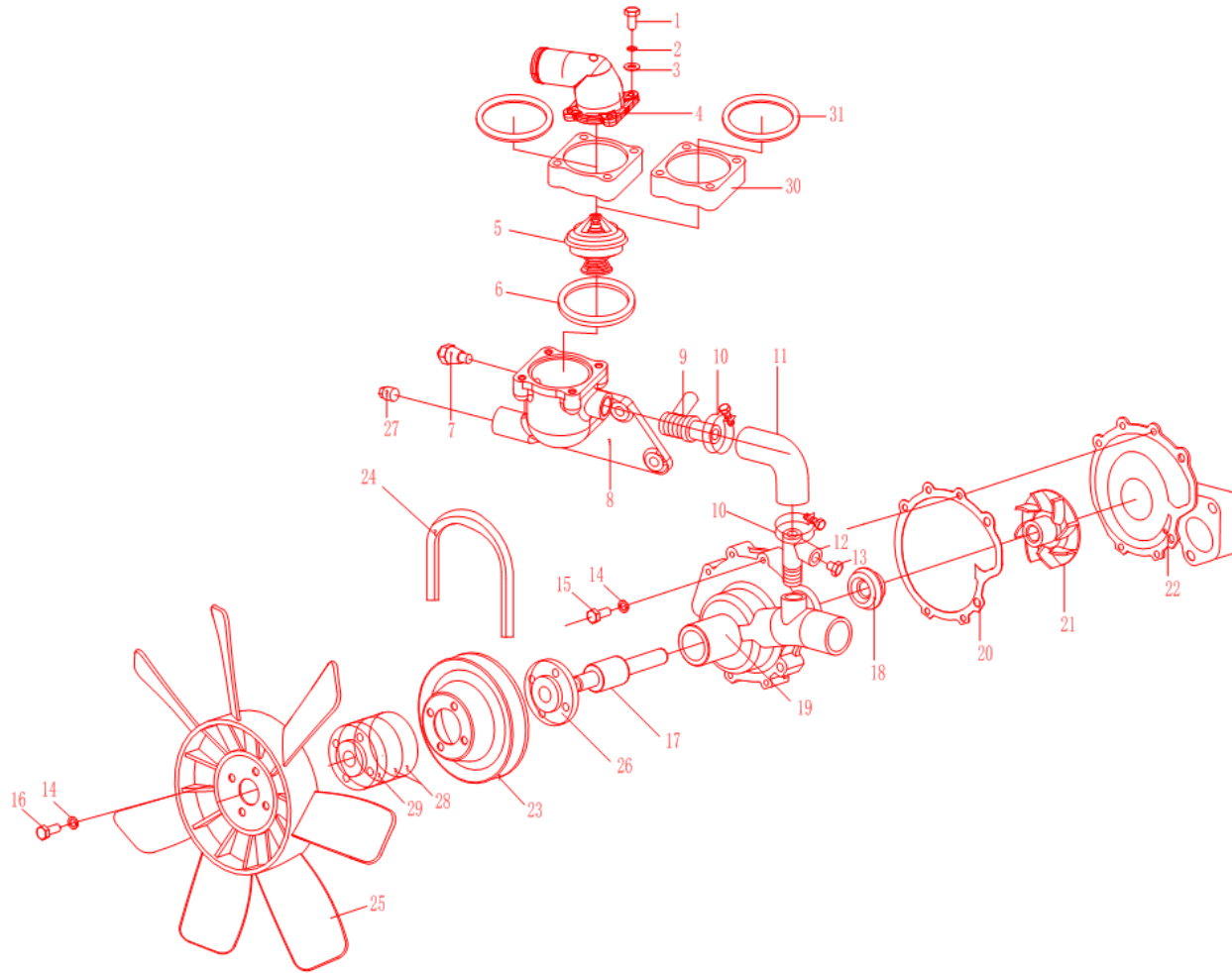
KM385BT-05000曲轴飞轮总成 Crankshaft-fly wheel Assy



KM385BT冷却系统总成Cooling System Assy
KM385BT冷却系统总成Cooling System Assy

序号 Seq No	图号 Parts No	图号 Parts No	名称 Name of Parts	名称 Name of Parts	数量 Qty	备注 Remarks
21	GB480-06105	螺柱M6×105	水泵叶轮	Bolt M6×105 Water pump impeller	4	1
22	GB93-87	垫圈6	水泵后盖	Washer 6 Water pump rear cover	4	1
23	GB480-06102	垫圈6-140HV	水泵皮带轮	Washer 6-140HV Belt pulley	4	1
4	LL480-06104	节温器盖	水泵部件	Thermostat cover Water pump assembly	1	
24	GB/T12732-1996	节温器	齿形带AV13-1125	Thermostat Belt AV13-1125	1	1
25	L375-06200	节温器盖衬垫	风扇部件	Thermostat cover Fan gasket	1	1
26	L375-06206	水温感应塞	水泵皮带轮毂	Water temprature transmitter Belt pulley hub	1	1
27	D4956D-06111-1	节温器壳	螺堵	Thermostat housing Stopper	1	1
28	LL480-06103-1	小循环接管	风扇垫块(25)	Small circulating water pipe Fan mat	1	2
29	Z422005.138	双钢丝式环箍26	风扇垫块(12)	Clamp 26 Fan mat	2	1
30	KM385T-06208	水泵分水胶管	节温器垫块(40)	Hose Thermostat mat	1	2
31	KM385T-06209	三通接管	节温器盖垫片	Water pipe Thermostat cover gasket	1	2
13	L375Y3-14-06111	螺堵	Stopper		1	
14	GB93-87	垫圈8	Washer8		6	
15	GB5783-86	螺栓M8×30	Bolt M8×30		2	
16	GB5780-86	螺栓M8×95	Bolt M8×95		4	
17	LL480-06106	水泵轴连轴承	Water pump bearin		1	
18	IIF-15	水封	Water seal		1	
19	LL480-06103-1	水泵壳体	Water pump housing		1	
20	L375-06107	水泵垫片	Water pump gasket		1	

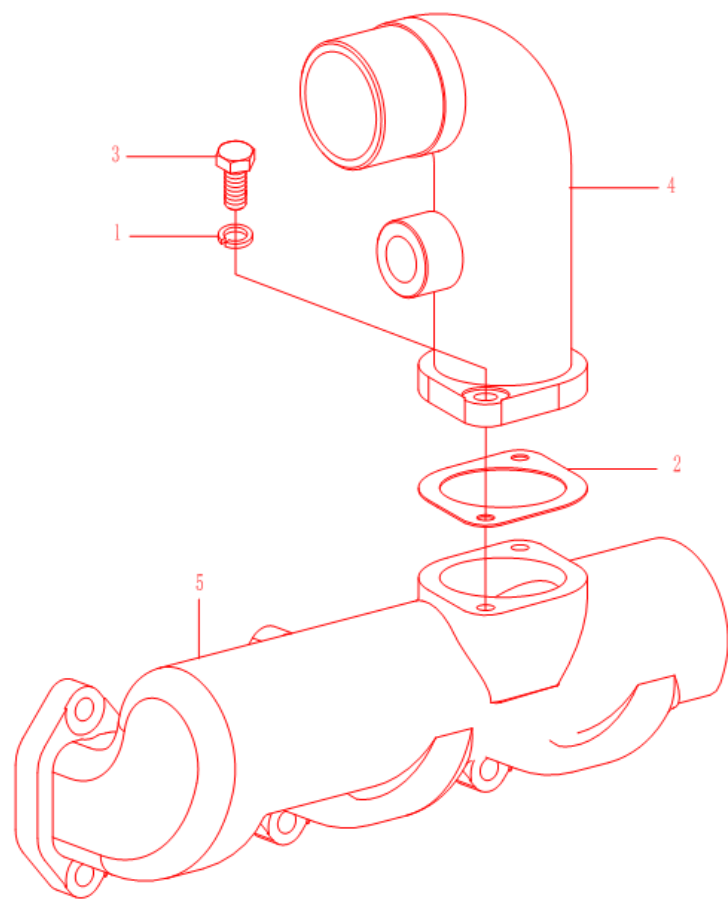
KM385BT-06000冷却系统总成 Cooling System Assy



KM385BT进气管总成Intake Manifold Assy

序号 Ser No	图号 Parts No	名称 Name of Parts	数量Qty	备注 Remarks
1	GB93-87	垫圈10 Washer 10	2	
2	L375Y3-07003	进气管端盖垫片 Intake manifold cover gasket	1	
3	GB5783-86	螺栓M10×30 Bolt M10×30	2	
4	KM385T-07004-6	进气管接头 Intake manifold cover joint pipe	1	
5	KM385BT-07001-2	进气管 Intake manifold	1	

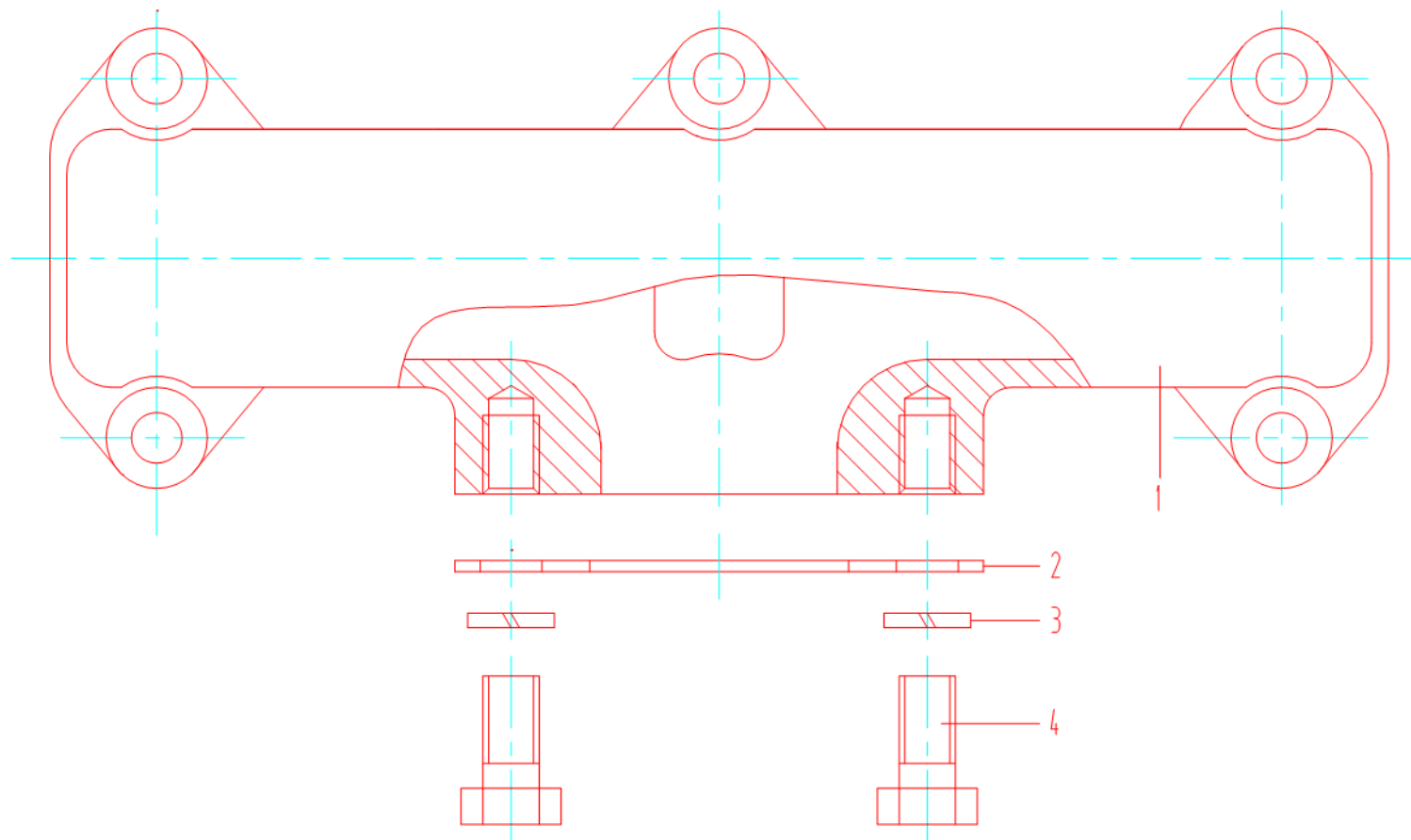
KM385BT-07000进气系统总成 Intake Manifold Assy



KM385BT排气管总成Exhaust Manifold Assy

序号 Ser No	图号 Parts No	名称 Name of Parts	数量Qty	备注 Remarks
1	KM385-08001	排气管 Exhaust manifold	1	
2	KM385T-08002	排气总管垫片 Exhaust manifold gasket	1	
3	GB93-87	垫圈10 Washer 10	2	
4	GB5783-86	螺栓M10×30 Bolt M10×30	2	

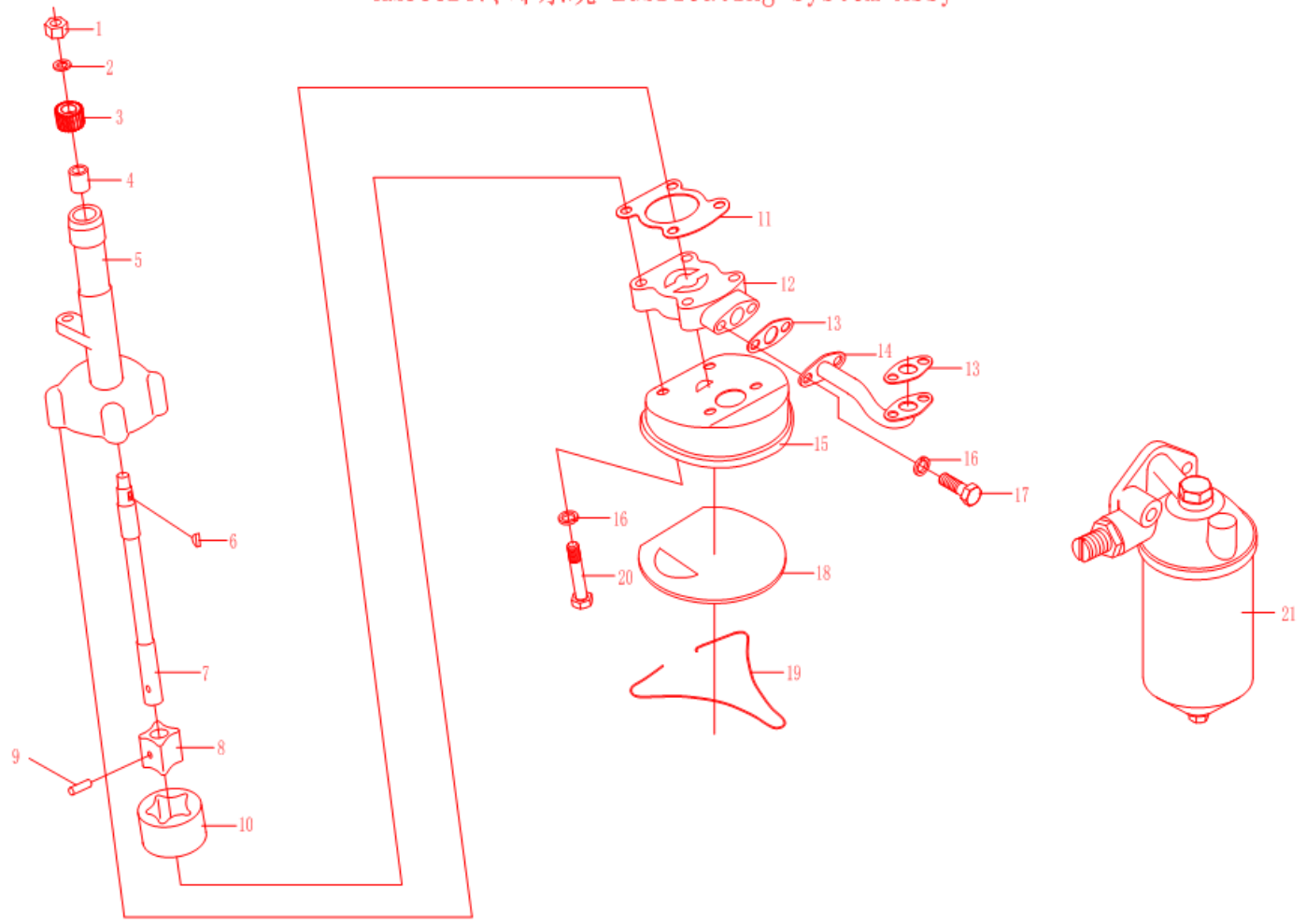
KM385BT-08000排气系统总成 Exhaust Manifold Assy



KM385BT润滑系统总成Lubricating System Assy

序号 Ser No	图号 Parts No	名称 Name of Parts	数量Qty	备注 Remarks
1	GB6170-86	螺母M10 Nut M 10	1	
2	GB93-87	垫圈10 Washer 10	1	
3	LL480-09107	机油泵传动齿轮 Oil pump driven gear	1	
4	4L22-09121	机油泵体衬套 Oil pump body bush	1	
5	4L22-09122	机油泵体 Oil pump body	1	
6	GB1099-79	半圆键3×5×13 Woodruff key 3×5×13	1	
7	4L22-09111	机油泵轴 Oil pump shaft	1	
8	4L22-09112	内转子 Inner rotor	1	
9	LL480-09113	销A5×18 Pin A5×18	1	
10	4L22-09101	外转子 Outer rotor	1	
11	4L22-09105	机油泵垫片 Oil pump gasket	1	
12	4L22-09104-1	机油泵盖 Oil pump cover	1	
13	L375-09001	出油管法兰垫片 Oil outlet pipe flange gasket	1	
14	LL480T-09200	机油管路部件 Oil outlet pipe unit	1	
15	4L22-09103	滤网体 Gauze strainer	1	
16	GB93-87	垫圈8 Washer 8	8	
17	GB5783-86	螺栓M8×20 Bolt M8×20	4	
18	4L22-09130	滤网焊合件 Weldment	1	
19	4L22-09108	滤油网撑 Gauze support	1	
20	GB5782-86	螺栓M8×45 Bolt M8×45	4	
21	4L22-09100-1C	机油泵（英文铭牌） Oil pump	1	
21	KM385T-09300	机油滤清器部件 Oil filter	1	
22	4L22-09001	出油管法兰垫片 Oil outlet pipe flange gasket	1	

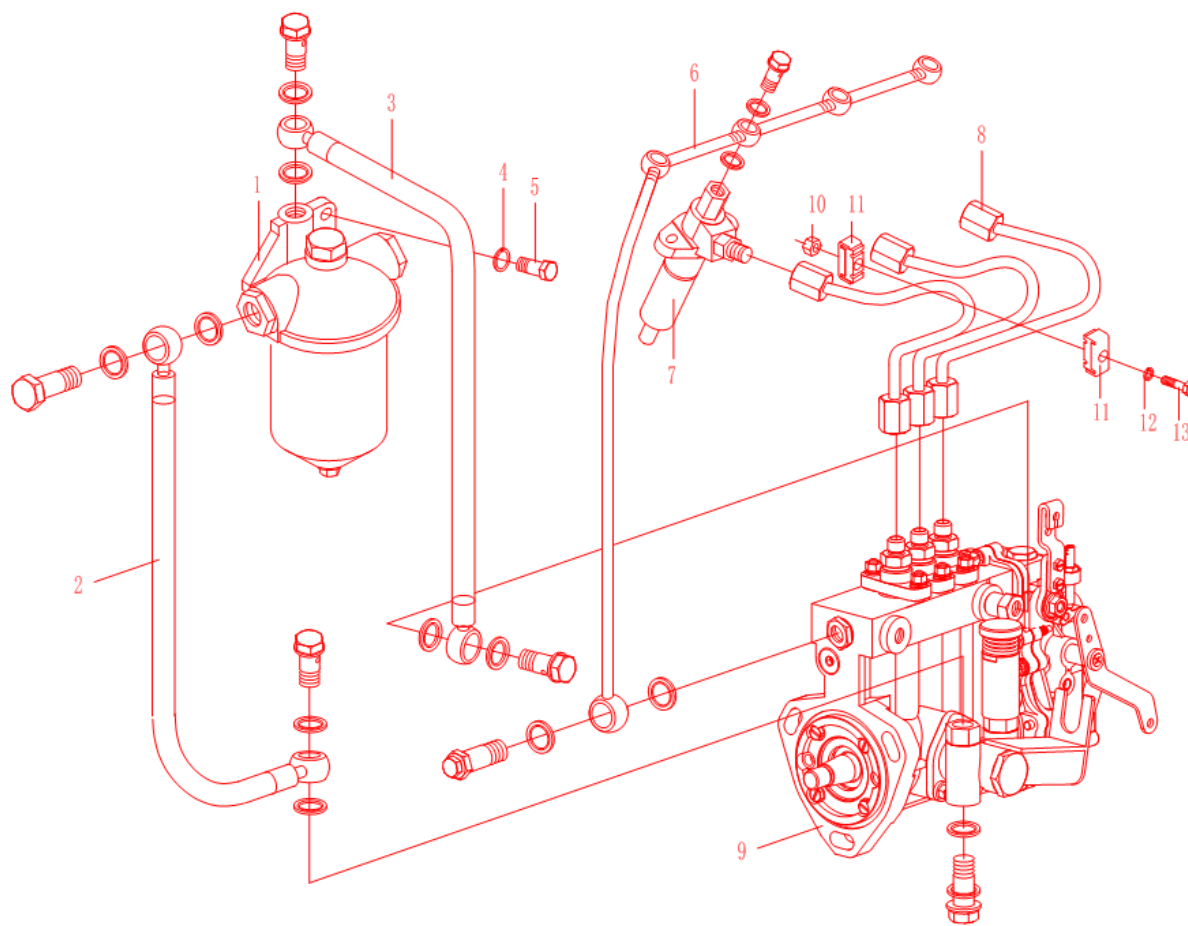
KM385BT冷却系统 Lubricating System Assy



KM385BT燃油系统总成Fuel System Assy

序号 Ser No	图号 Parts No	名称 Name of Parts	数量Qty	备注 Remarks
1	L375-10500-1	燃油滤清器部件 Fuel filter	1	
2	KM385T-10700	输油泵至燃油滤清器油管 Line from feed pump to filter	1	
3	KM385T-10600	燃油滤清器至喷油泵油管 Line from filter to injection pump	1	
4	GB93-87	垫圈8 Washer 8	1	
5	GB5783-86	螺栓M8×25 Bolt M8×25	1	
6	KM385T-10400-3	回油管部件 Fuel return pipe	1	
7	KM385T-10300	喷油器总成 Fuel injector	3	
8	KM385T-10200	高压油管部件 Fuel injection pipe	1	
9	KM385T-10100 (3QF99B1)	三缸BQ喷油泵总成 Three cylinder BQ type injection pump assy	1	
10	GB6170-86	螺母M6 Nut M6	2	
11	D495QB-10600	高压油管锁夹合件 Fuel injection pipe clamp	4	
12	GB93-87	垫圈6 Washer 6	2	
13		螺钉M6×30 Screw M6×30	2	

KM385BT-10000燃油系统总成 Fuel System Assy



KM385BT 电器系统总成 Electric System Assy
 KM385BT-12000 电器系统总成 Electric System Assy

序号 Ser No	图号 Parts No	名称 Name of Parts	数量Qty	备注 Remarks
1	KM485QB-12603	M8 铰接螺栓 Screw M8	1	
2	L375-03017	防漏垫圈 Antileak washer	2	
3	KM485QB-12602	M12 铰接螺栓 Bolt M12	1	
4	KM485QB-12607	φ12 组合垫圈 Washer φ12	1	
5	KM485QB-12604-1	预热塞输油管 Preheat plug oil pipe	1	
6	KM485QB-12601	预热塞 Preheat plug	1	
7	KM385T-12300- QD1332A	起动电机 Starting motor unit	1	
8	KM385T-12100-1	发电机 (350W, 14V) Alternator	1	
9	GB6170-86	螺母 M10 Nut M10	1	
10	GB93-87	垫圈 10 Washer 10	1	
11	KM385T-01028	发电机固定支架 Alternator fasten support	1	
12	L375-01031	发电机支架垫套 Alternator fasten support bush	1	
13	GB5782-86	螺栓 M10×100 Bolt M8×100	1	
14	KM385T-12110	发电机安全护罩 Alternator safty cover	1	

目 录

Cylinder Block Assy(One)

机体总成（一）	1
Cylinder Block Assy(Two)	
机体总成（二）	4
Cylinder Block Assy(Three)	
机体总成（三）	7
Cylinder Block Assy(Four)	
机体总成（四）	9
Cylinder Block Assy(Five)	
机体总成（五）	11
Timing Gear and Camshaft	
Assy凸轮轴总成.....	13
Cylinder Head	
Assy气缸盖总成.....	15
Piston-connecting Rod	
Assy活塞连杆总成.....	18
Crankshaft-fly wheel	
Assy曲轴飞轮总成.....	20
Cooling System	

Assy冷却系统总成.....	22
Intake Manifold	
Assy进气管总成.....	24
Exhaust Manifold	
Assy排气管总成.....	26
Lubricating System	
Assy润滑系统总成.....	28
Fuel System	
Assy燃油系统总成.....	30
Electric System	
Assy电器系统总成.....	32

编 制 说 明

一、本图册主要供用户订购山东华源莱动内燃机有限公司生产的KM385BT柴油机零部件时了解部分结构和装配关系以及件号、型号等，以便准确定货。

二、为了满足用户的不同要求，我公司系列柴油机品种将不断增加，结构也会有些局部改进，因而本

图册反映的零部件结构可能会与实物不符,只能等再版时加以改进。改进前不另行通知,望用户见谅。

三、本图册在编制时,由于受时间及水平的限制,因而错误之处在所难免,热情欢迎各位指导错误之处。

INTRODUCTION

This book serves the users as a reference for ordering 7SHLL1.53LDE parts required .In order to make a right supply.please state the name and type of the machine .the date and facturer number of ex-work, and state the name of the part .parts number according to this book when ordering.

It is necessary to improve or revise the construction for meeting the needs of users and requirements for developing market. The parts in the book are subject to change without notice or may differ from country to country. please check with your distributor at the time of placing your order.

If there are some place not very clear or correct . please inform us.