

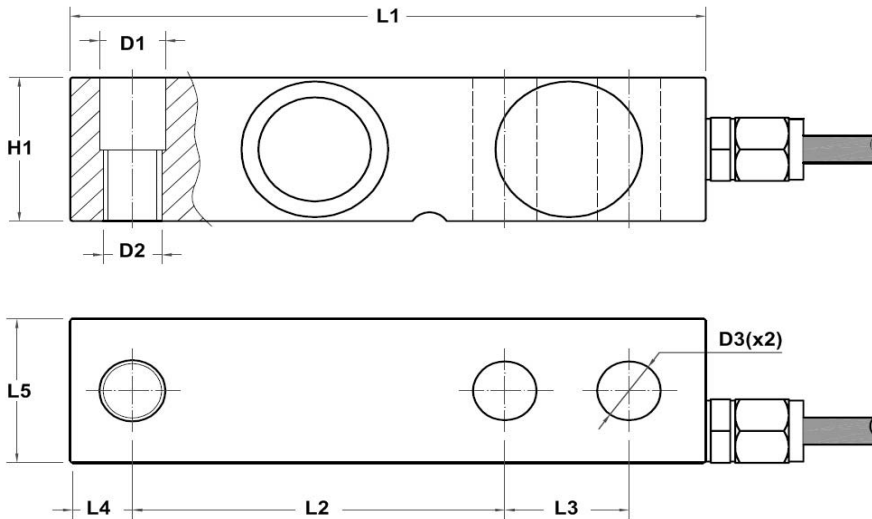
Type BS063 is an alloy steel construction shear beam type loadcell. It is easy for installation, suitable for wide range of industrial applications such as electronic platform scales, hopper / tank scales and weighing devices.



Key features;

- Capacities; 250 kg ~ 5 tons
- Alloy steel construction
- Low profile and nice exterior
- Protection IP68
- OIML approval

Dimensions (mm);



| | 0.25~2 t | 3~5 t |
|----|----------|-------|
| L1 | 130 | 171.5 |
| L2 | 76.2 | 95.3 |
| L3 | 25.4 | 38.1 |
| L4 | 12.7 | 19 |
| L5 | 31.8 | 38.1 |
| D1 | Φ 13.5 | Φ 20 |
| D2 | M12 | M18 |
| D3 | Φ 13 | Φ 20 |
| H1 | 31.8 | 38.1 |

Color codes;

| | |
|---------|--------|
| +input | blue |
| +output | white |
| -input | black |
| -output | red |
| shield | yellow |

Technical specifications;

| | | |
|-----------------------------------|------------|--|
| Capacity | ton | 0.25 / 0.5 / 1 / 1.5 / 2 / 3 / 5 |
| Output sensitivity | mV / V | 2.0 ± 0.002 (0.25t); 3.0 ± 0.003 (0.5~10t) |
| Temperature effect on zero | %FS / 10°C | ≤ 0.02 |
| Temperature effect on sensitivity | %FS / 10°C | ≤ 0.01 |
| Combined error | %FS | ≤ 0.02 |
| Creep | %FS | ≤ 0.02 |
| Input resistance | Ω | 400 ± 10 |
| Output resistance | Ω | 352 ± 3 |
| Insulation resistance | MΩ | ≥ 5000 |
| Zero balance | %FS | ≤ 1 |
| Temperature, operating | °C | -30...+70 |
| Excitation, Recommended | V | 5 - 12 (DC) |
| Excitation, Maximum | V | 15 (DC) |
| Safe overload | %FS | 150 |
| Ultimate overload | %FS | 200 |
| Construction | | Steel |
| Environmental protection | | IP68; IP67 (250 kg) |
| Cable | | Length 3 m , diameter 6 mm |

(Properties are subject to change without notification. 01 / 2009)