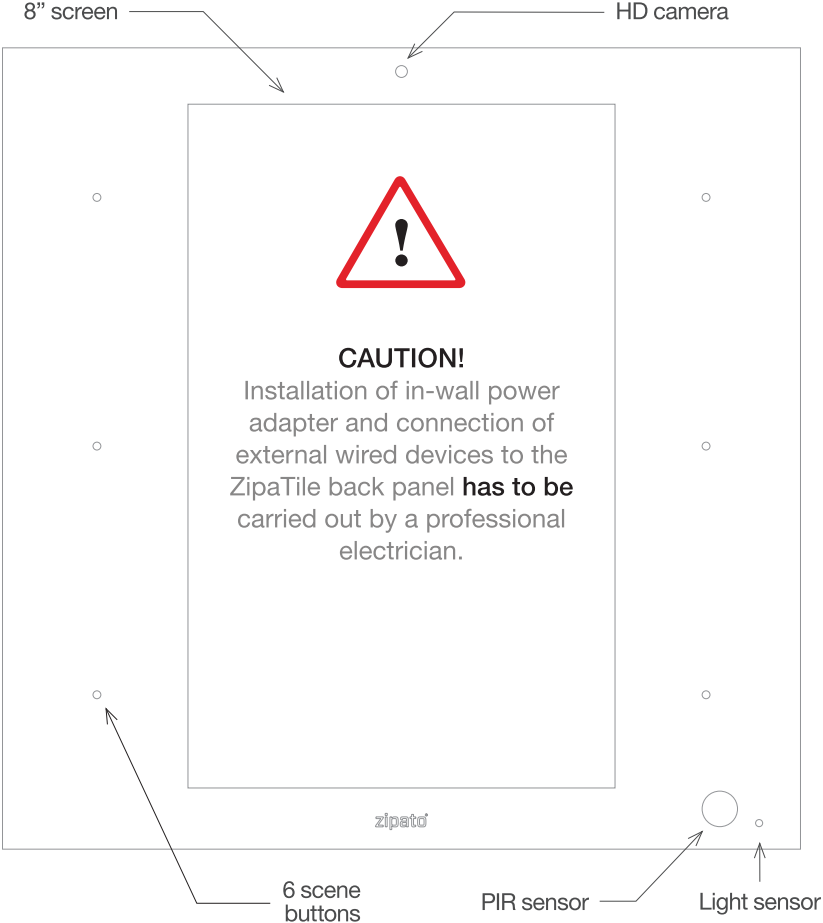


ZIPATILE

Quick Start Guide

v.1.0

zipato®



1.0 | INSTALLATION

Thank you for purchasing ZipaTile. ZipaTile is the complete home control and automation system in a form of a single device. It can be easily mounted on any wall, in any home. Featuring large number of built-in sensors and hardware modules, ZipaTile replaces numerous home devices such as security system, thermostat, automation controller, IP camera, alarm siren or intercom and brings them all together in one smart and beautiful device.

INSTALLATION REQUIREMENTS:

Wireless WiFi Router with connection to the Internet (not included in packaging)

Installation option A:

Available wall socket 100-230VAC 50/60Hz close to the position of ZipaTile

Installation option B:

In-wall box with mains power available close to the position of ZipaTile

PACKAGING CONTENT

- ZipaTile
- ZipaTile wall holder (already attached to the ZipaTile)
- Quick installation guide
- AC/DC power supply with adapter plugs
- Wall mounting kit
 - Four screws and screw anchors,
 - H7 plug with optional separate
 - wire terminals (2 male and 2 female),
 - Zip ties

OPTIONAL TOOLS NEEDED

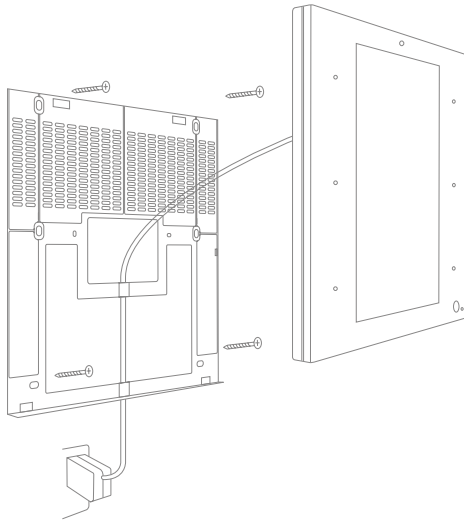
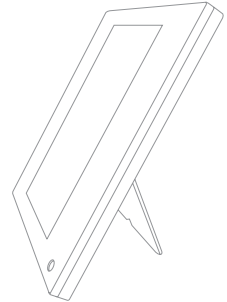
- Screwdrivers: Flathead and Philips
- Pliers
- Wire stripper
- Non-contact voltage detector
- Wire cutter
- Electrical tape
- Drill and drill bits appropriate for the wall type

2.0 | MOUNTING

2.1 | TABLE TOP

ZipaTile is primarily intended for on wall mounting, but it can be used on table top as well. In this case, please keep the wall holder affixed to ZipaTile and use the built-in table top stand at the back of the wall holder. Just plug AC/DC adapter into free electrical socket and other side into the ZipaTile.

NOTE! ZipaTile is made for on-wall usage. Table top stand may not be suitable for permanent usage since it can't resist strong touch pressure.



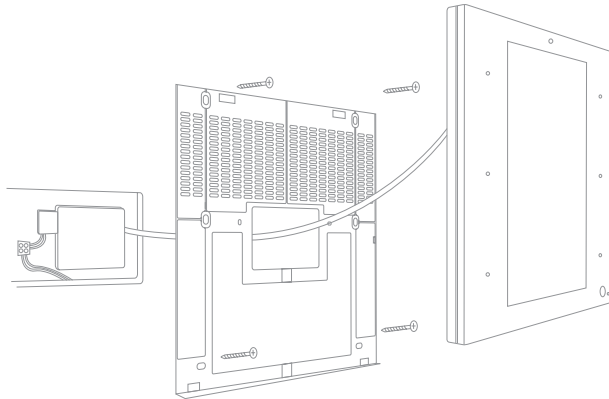
2.2 | WALL MOUNT WITH PLUG-IN POWER SUPPLY

If there is no in-wall box at desired mounting location, please use the wire channel at the back of the wall holder to place the power wires behind the ZipaTile and use the bundled plug-in power supply to connect to the wall socket.

NOTE! Use safety goggles and gloves when drilling holes in the wall for screw anchors. This product should not be plugged in sockets that can be turned off with a switch.

2.3 | WALL MOUNT WITH BUILT-IN POWER SUPPLY

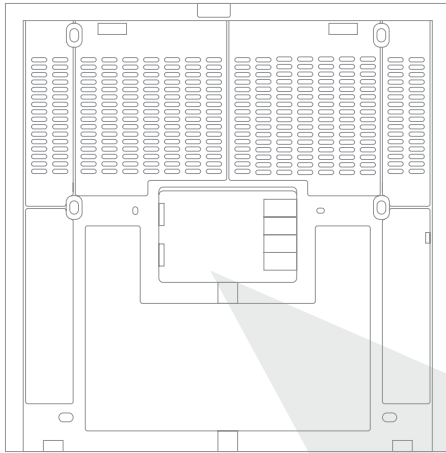
For compact wall mounting into an in-wall box, connect the H7 pigtail wires to AC wires and plug H7 pigtail directly onto power supply. Use bundled quick wire terminals (male/female) to make the installation neat and tidy.



Risk of Electrical Shock

Before performing any electrical work turn OFF the power to the AC wires leading into in-wall box at the main power source. Before starting installation **make sure** the power is really off by using a non-contact voltage detector.

CAUTION! Installations should be performed in accordance with all national and local electrical codes. If you are unsure or have questions about the installation, please seek an advice of a qualified electrician. Do not apply power to the ZipaTile before completing installation. Please make sure that a proper power cut-off device is part of your power supply circuit (electrical fuse).



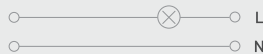
In addition to range of wireless technologies ZipaTile also offers connection to wired equipment at the back of the device. This includes external temperature sensor (not included), one DC input for signals from external equipment and two outputs for controlling relays (please note max. voltage and current) or for signaling to boilers, heating or irrigation equipment.



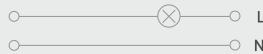
Risk of Electrical Shock

Turn OFF the power to the AC wires leading into in-wall box at the main power source. Use a non-contact voltage detector to ensure that there is no power to any wires in the wall box before proceeding.

Dry output 1
230VAC, 1A



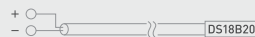
Dry output 2
230VAC, 1A



Dry input
12-24VDC

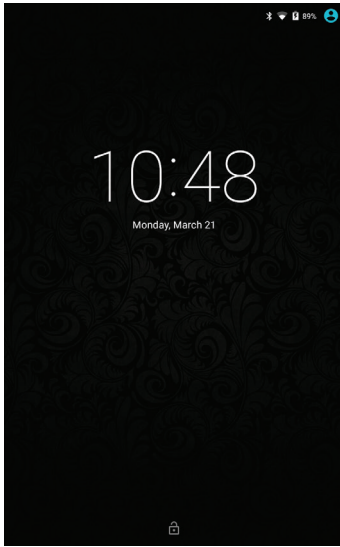


Temperature
sensor ext.

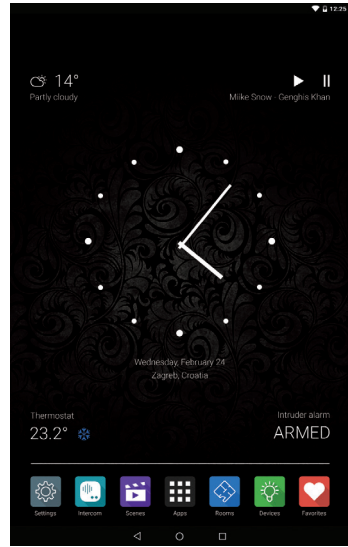


3.0 | TURNING ON THE ZIPATILE

Press and hold (3 sec) the power button on top of the ZipaTile. Boot process will start with the logo on the screen and it will finish when you see the ZipaTile lock screen.



Lock screen



Homescreen

To unlock the device, just swipe up from bottom of your screen.

For more information check out the
users manual behind this icon within
ZipaTile apps:



Having trouble installing your ZipaTile?

Contact Zipato support at:
support@zipato.com

zipato