

# Landis & Gyr Dialog



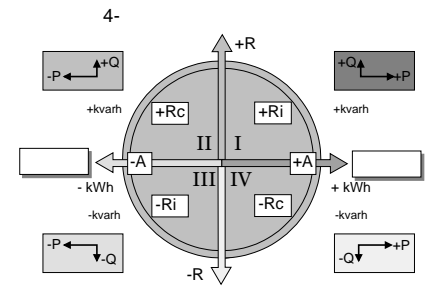
Quality and  
environmental  
approval  
ISO/EN 9001  
ISO/EN 14001

Landis & Gyr Dialog  
ZMD410CT/405CT/402CT  
ZFD410CT/405CT/402CT

## Landis & Gyr Dialog

Landis & Gyr Dialog ZMD/ZFD...CT

Metering. Siemens ( 15- )  
 ZMD/ZFD...CT :  
 / .  
 ZMD.



1, 0.5S 0.2S  
 61036 ,  
 60687.

ZMD/ZFD410CT	1.0	1.0
ZMD/ZFD405CT	0.5S	1.0
ZMD/ZFD402CT	0.2S	1.0

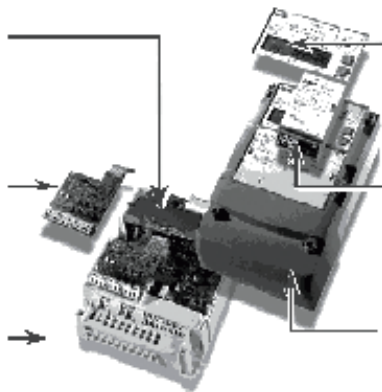
## Landis & Gyr Dialog

-  
-  
-  
-  
-  
-



-40°C.

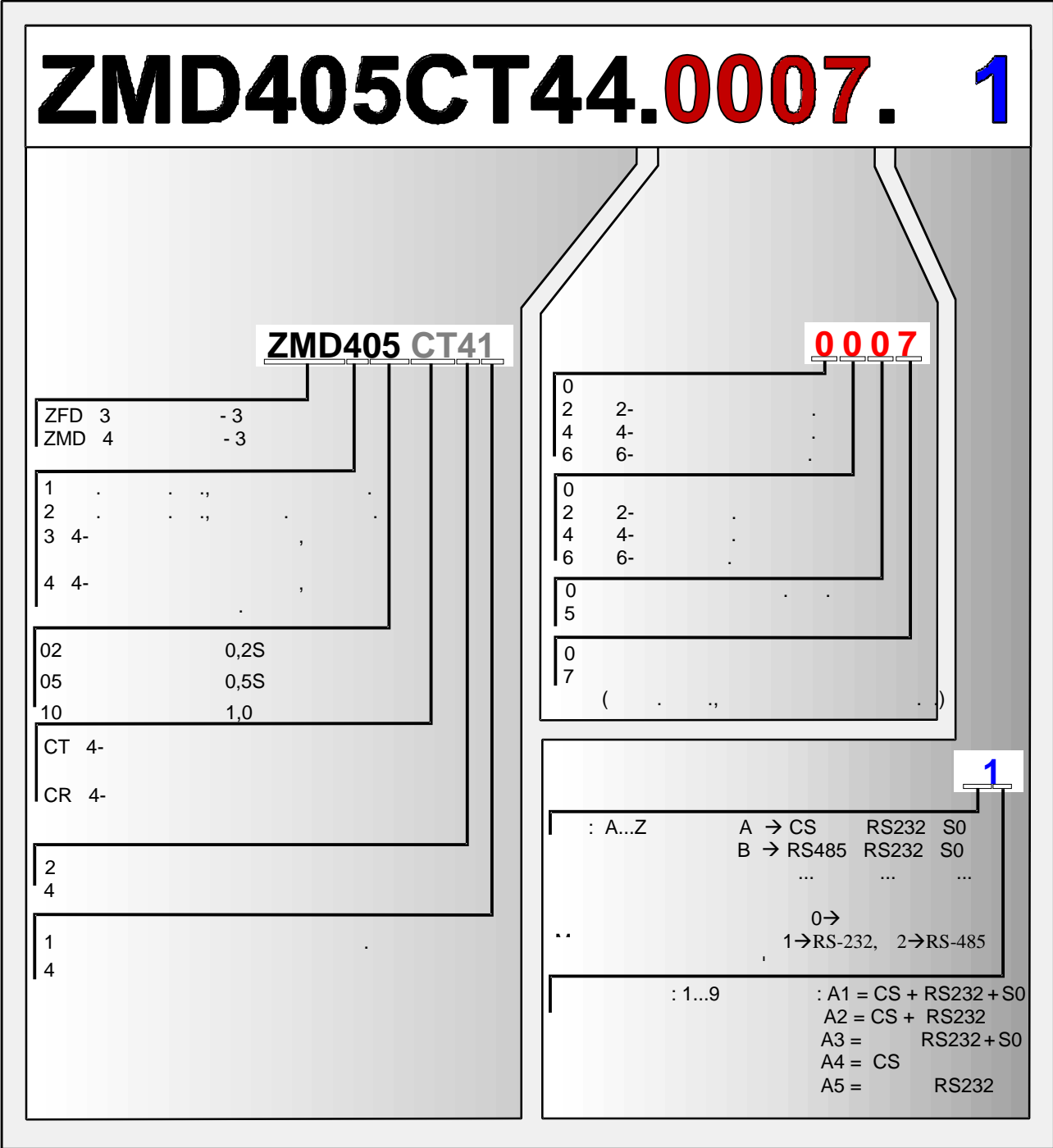
Landis & Gyr Dialog.



Dialog

Landis & Gyr





**1**

**ZMD4..CT4.....**

**ZFD4..CT4.....**

**ZMD410CT4... 1**

1 ( )  
1 ( )

**ZMD405CT4... 0.5**

0.5S ( )  
1 ( )

**ZMD402CT4... 0.2**

0.2S ( )  
1 ( )

3x58/100 ... 3x240/415

3x100 ... 3x415

<b>58</b>	<b>110</b>	<b>240</b>
0.65	0.70	0.8
1.3	1.7	3.6

58.. 240

I = 1 A, 5A, 5//1A

1A

I

5

0.5

5

0.5

50 60

: 5000 ... 200'000 ./

8

	M1	M2	M3	M4	M5	M6	M7	M8
	<input type="checkbox"/>	<input type="checkbox"/>	<input type="checkbox"/>	<input type="checkbox"/>	<input type="checkbox"/>	<input type="checkbox"/>	<input type="checkbox"/>	<input type="checkbox"/>
QI	<input type="checkbox"/>	<input type="checkbox"/>	<input type="checkbox"/>	<input type="checkbox"/>	<input type="checkbox"/>	<input type="checkbox"/>	<input type="checkbox"/>	<input type="checkbox"/>
QII	<input type="checkbox"/>	<input type="checkbox"/>	<input type="checkbox"/>	<input type="checkbox"/>	<input type="checkbox"/>	<input type="checkbox"/>	<input type="checkbox"/>	<input type="checkbox"/>
QIII	<input type="checkbox"/>	<input type="checkbox"/>	<input type="checkbox"/>	<input type="checkbox"/>	<input type="checkbox"/>	<input type="checkbox"/>	<input type="checkbox"/>	<input type="checkbox"/>
QIV	<input type="checkbox"/>	<input type="checkbox"/>	<input type="checkbox"/>	<input type="checkbox"/>	<input type="checkbox"/>	<input type="checkbox"/>	<input type="checkbox"/>	<input type="checkbox"/>
QI+QIV+QII+QIII	<input type="checkbox"/>	<input type="checkbox"/>	<input type="checkbox"/>	<input type="checkbox"/>	<input type="checkbox"/>	<input type="checkbox"/>	<input type="checkbox"/>	<input type="checkbox"/>
QI+QIV-QII-QIII	<input type="checkbox"/>	<input type="checkbox"/>	<input type="checkbox"/>	<input type="checkbox"/>	<input type="checkbox"/>	<input type="checkbox"/>	<input type="checkbox"/>	<input type="checkbox"/>
QI+QII-QIII-QIV	<input type="checkbox"/>	<input type="checkbox"/>	<input type="checkbox"/>	<input type="checkbox"/>	<input type="checkbox"/>	<input type="checkbox"/>	<input type="checkbox"/>	<input type="checkbox"/>
L1	<input type="checkbox"/>	<input type="checkbox"/>	<input type="checkbox"/>	<input type="checkbox"/>	<input type="checkbox"/>	<input type="checkbox"/>	<input type="checkbox"/>	<input type="checkbox"/>
L2	<input type="checkbox"/>	<input type="checkbox"/>	<input type="checkbox"/>	<input type="checkbox"/>	<input type="checkbox"/>	<input type="checkbox"/>	<input type="checkbox"/>	<input type="checkbox"/>
L3	<input type="checkbox"/>	<input type="checkbox"/>	<input type="checkbox"/>	<input type="checkbox"/>	<input type="checkbox"/>	<input type="checkbox"/>	<input type="checkbox"/>	<input type="checkbox"/>
L1...L3	<input type="checkbox"/>	<input type="checkbox"/>	<input type="checkbox"/>	<input type="checkbox"/>	<input type="checkbox"/>	<input type="checkbox"/>	<input type="checkbox"/>	<input type="checkbox"/>

L1  
L2  
L3

## 2

### 2.1

	▪ 24
	▪ 8 (1 )
.	▪ 15
.	▪ 15
P	▪ 24
P	▪ 24
P	▪ 24
.	▪ 15
	▪
	▪
	▪
	▪ ( )

### 2.2 / (...CT)

	▪ 3	( , )
	▪ 2	( , )
.	▪ 15	

### 2.3

	▪ ( : < 5 ppm)
	▪ 50/60 ( )
	▪
/	
	▪ (1 ... 60 .)
	▪ (1 ... 60 .)
	▪ ( , )
( )	
	▪
	▪
	▪
	▪ ( , KA/KB, . )

## 2.4

		SuperCap ( )	
SuperCap ( )	▪	3	
	▪		10
	▪		


## 2.5

	▪	$U_{1..3}$	▪	$I_{1..3}$	▪
	▪			$I_0$	▪
	▪				f
	▪			( )	
	▪			( )	
	▪				

## 2.6

		/	
	▪		
	▪		
	▪		
	▪	8	
cos φ	▪	4	

## 2.7

		VDEW	
	▪	2	
	▪		→
	▪		61107
	▪		dlms
	▪	(	,
	▪	1-	VDEW)
	▪		
	▪		
	▪		

### 3

- 
- 
- ( )
- 

### 3.1 /

6-

6.

"x"

	0	2	4	6
0				
2				
4				
6				

2

4-

0/0

### 3.2

- 16
- 220 ( 15 4- )
- : , ( ) : U, I, f, cos φ
- ) ( )

### 3.4



## 4

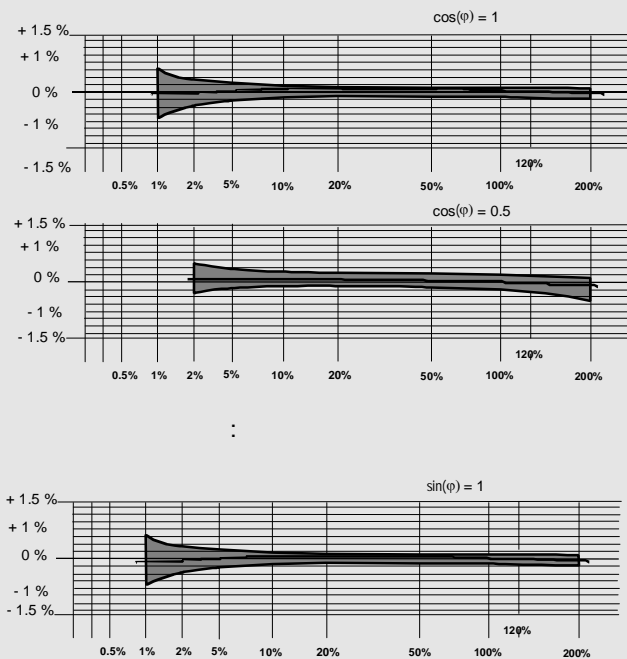
### 4.1

- CS
- RS232 PSTN , GSM- RS232,
- RS485 , GSM-
- GSM/GPRS GSM-

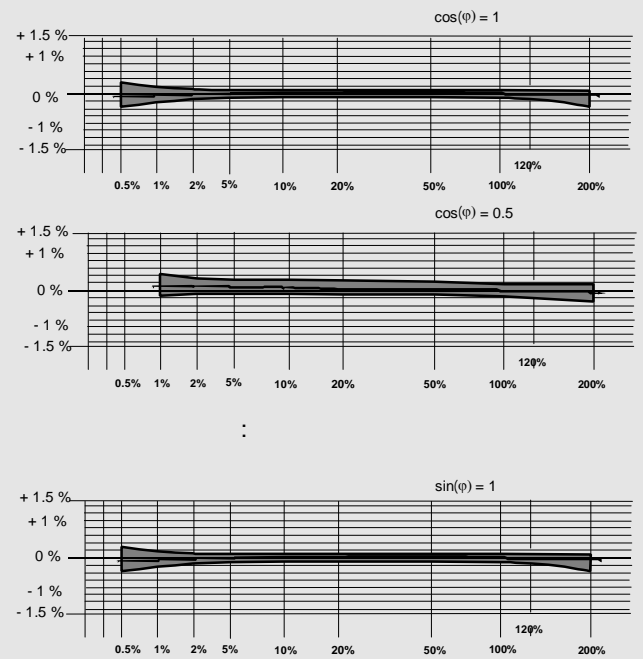
### 4.2 S0- ( )

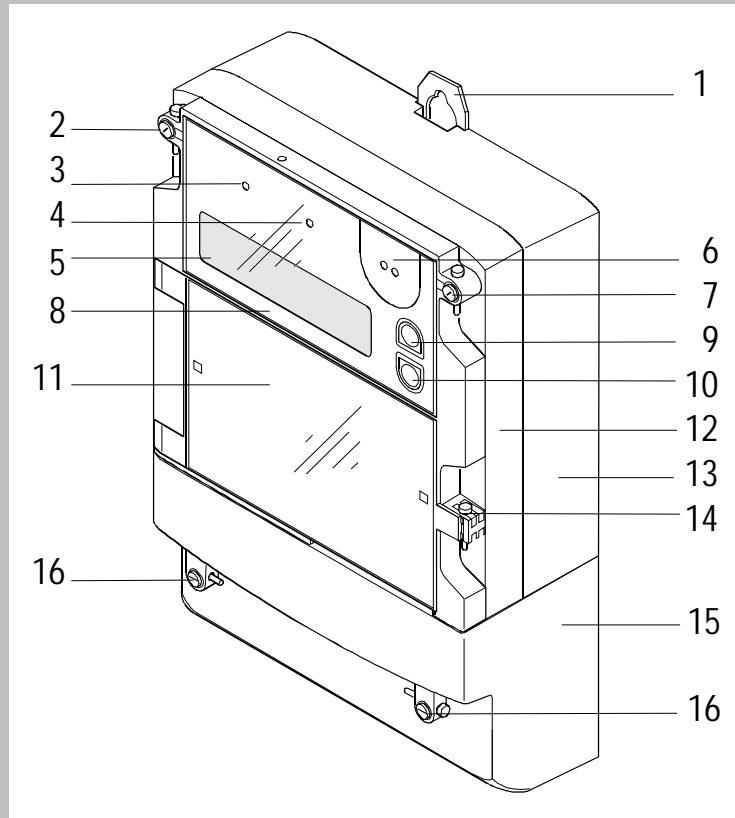
- 2 SO - 3 ( , ).

#### ZMD410...CT41... , 1

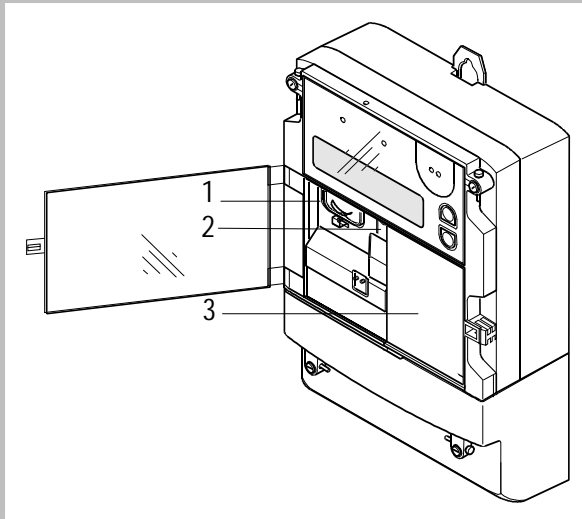


#### ZMD405...CT41... , 0,5S

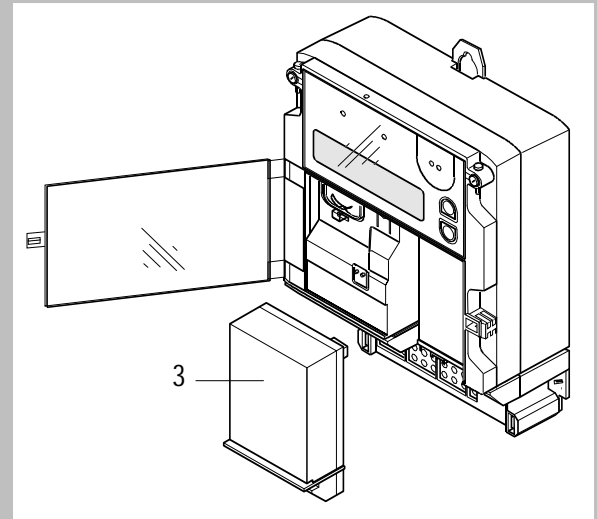




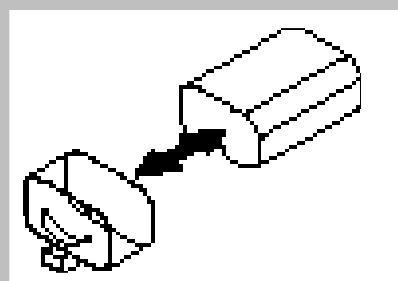
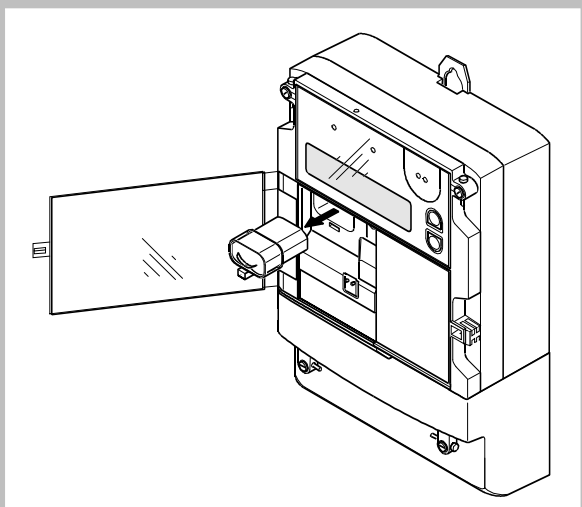
1		(		)
2				
3		-	(	)
4		-	(	)
5	-			
6				
7				
8				
9		"	"	
10		"	"	
11				
12				
13				
14				
15				
16				



1  
2  
3 R

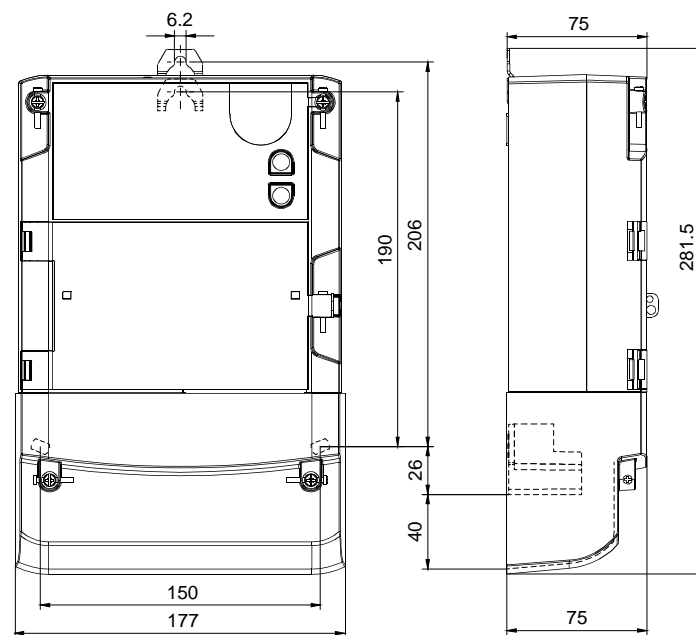
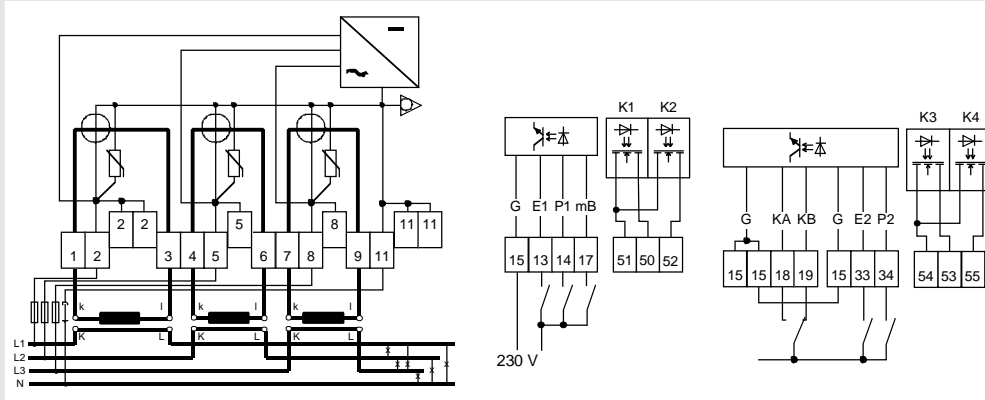


3 ( )



- : ( 10 )  
-

• 6 V , ENERGIZER, Lithium EL 223AP • CR-P2  
> 10



**Landis+Gyr AG**  
 Feldstrasse 1  
 CH-6301 Zug  
 Tel. ++41 41 724 41 41  
 Fax ++41 41 724 41 42