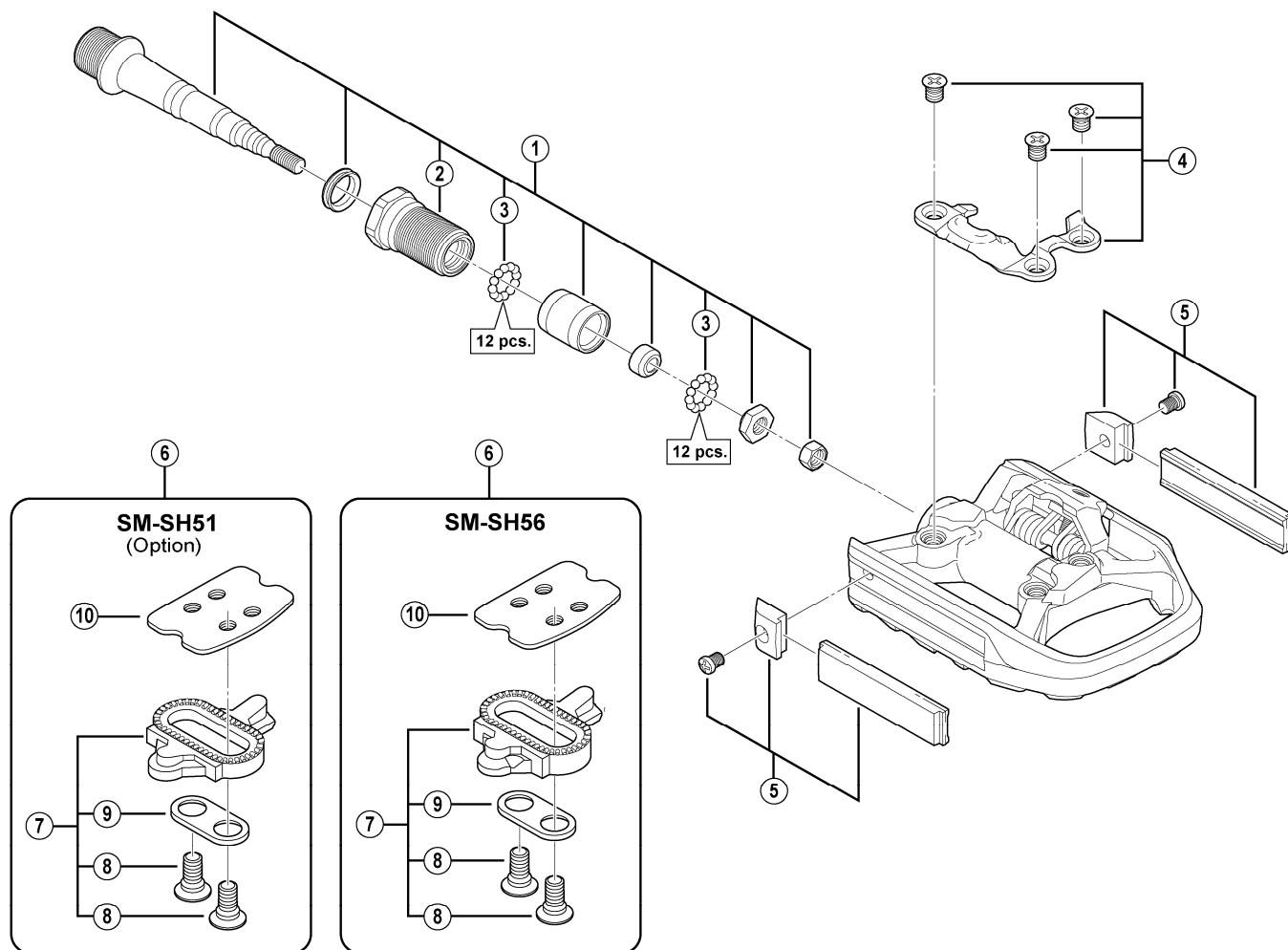


DEORE XT SPD Pedals

PD-T780



PD-M780

PD-M530

ITEM NO.	SHIMANO CODE NO.	DESCRIPTION	INTERCHANGEABILITY		
1	Y46P98010	Pedal Axle Assembly (Right / B.C.9/16" x 20T.P.I.)	B		
	Y46P98020	Pedal Axle Assembly (Left / B.C.9/16" x 20T.P.I.)	B		
2	Y45E98030	Lock Bolt (Right)	A		
	Y45E98040	Lock Bolt (Left)	A		
3	Y41N98030	Steel Ball (3/32") 62 pcs.	A	A	
4	Y46K98030	Body Cover (Right) & Fixing Bolts (M5)	A	A	
	Y46K98040	Body Cover (Left) & Fixing Bolts (M5)	A	A	
5	Y46P98030	Reflector Unit			
6	Y42498200	SM-SH51 Cleat Set (Single Release Mode / Pair)	A	A	
	Y41S98090	SM-SH56 Cleat Set (Multiple Release Mode / Pair)	A	A	
7	Y42498201	SM-SH51 Cleat Set w/o Cleat Nut (Single Release Mode / Pair)	A	A	
	Y41S98100	SM-SH56 Cleat Set w/o Cleat Nut (Multiple Release Mode / Pair)	A	A	
8	Y41704030	Cleat Fixing Bolt (1 pc.)	A	A	
9	Y42423000	Cleat Adapter (1 pc.)	A	A	
10	Y40N01000	Cleat Nut (1 pc.)	A	A	

A: Same parts.

B: Parts are usable, but differ in materials, appearance, finish, size, etc.

Absence of mark indicates non-interchangeability.

May.-2011-3196

© Shimano Inc. A

Specifications are subject to change without notice.

SHIMANO