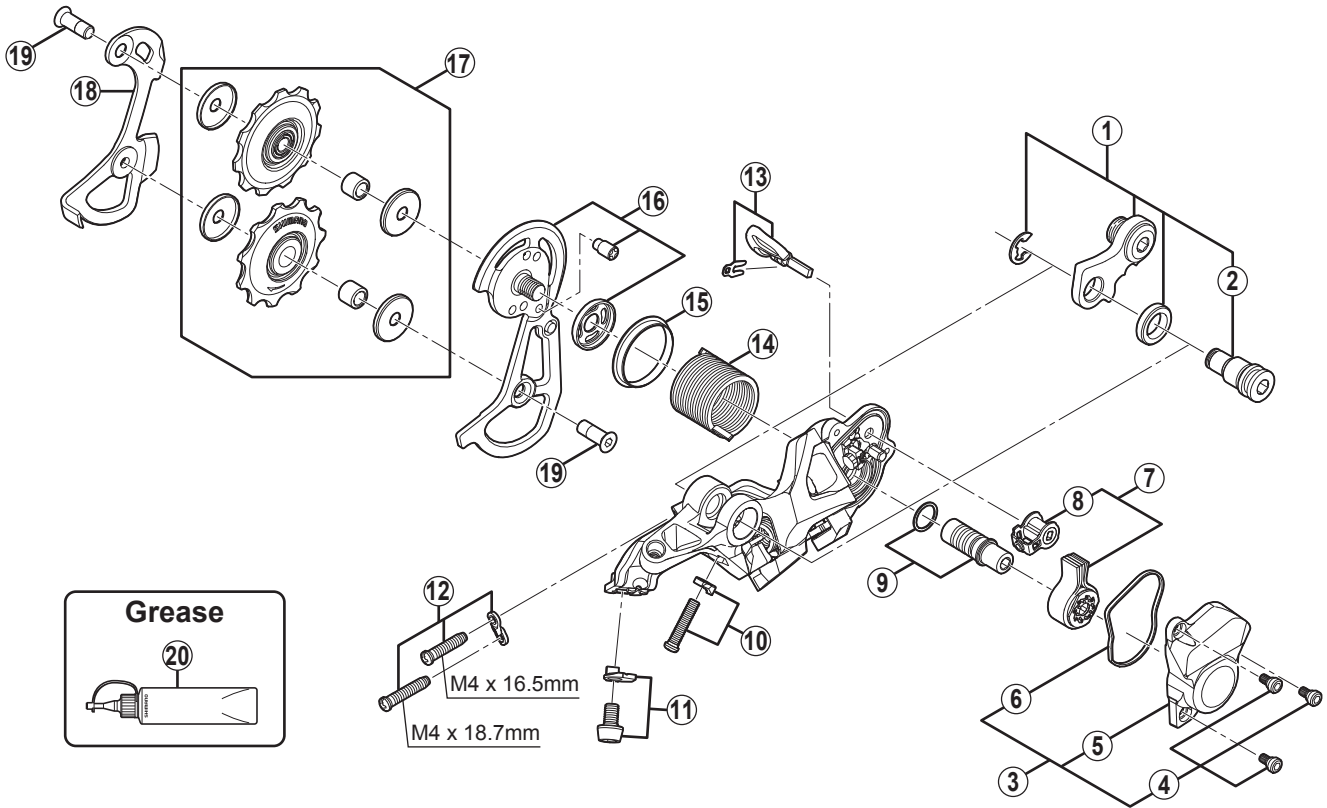


SHIMANO Zee Rear Derailleur RD-M640



ITEM NO.	SHIMANO CODE NO.	DESCRIPTION	INTERCHANGEABILITY		
1	Y5Y598060	Bracket Axle Unit for downhill mode	A		
	Y50Y98010	Bracket Axle Unit for freeride mode	A		
2	Y50Y17000	B-Axle 2 (for Direct Mount Type)	A		
3	Y5Y598010	P-Cover Unit	B	B	
4	Y5Y198070	P-Cover Bolt Set (3 pcs.)	A	A	
5	Y50Z13200	P-Cover	B	B	
6	Y5Y219000	P-Cover Packing	A	A	A
7	Y5Y198020	Stabilizer Unit	A	A	
8	Y5Y198120	Cam Unit	A	A	A
9	Y5Y198040	P-Axle Unit & Washer	A	A	
10	Y5XP98030	B-Tension Adjusting Screw (M4x18) & Plate	A		
11	Y5W798030	Cable Fixing Bolt (M5 x 8) & Plate	A	A	
12	Y5W798020	Stroke Adjusting Screws & Plate	A		
13	Y5Y598020	Switch Lever Unit & Fixing Plate		A	
14	Y5XD19000	P-Tension Spring	A	A	
15	Y5XD15000	P-Seal Ring	A	A	A
16	Y5Y598030	Outer Plate Assembly (SS-Type)			B
17	Y5XE98030	Guide & Tension Pulley Unit	A	B	
18	Y5V508400	Inner Plate (SS-Type)		A	
19	Y53M24700	Pulley Bolt	A		
20	Y04120800	Grease for Stabilizer (Net. 100g)	A	A	

A: Same parts.

B: Parts are usable, but differ in materials, appearance, finish, size, etc.

Absence of mark indicates non-interchangeability.

Mar.-2012-3438

© Shimano Inc.D