



<b>APPROVAL</b>		
<b>Electrical</b>	<b>UL</b>	<b>IEC</b>
Standard	300V	250V
Rated voltage	10A	18A
Rated current	26-14AWG	0.5-2.5mm <sup>2</sup>
Wire range	AC2000V/1Min	
Withstanding voltage		

<b>Mechanical</b>		
torque	0.4Nm(3.5Lb-In)	
Ambient temperature	-40°C ~ +105 °C	
Strip length	6-7mm	
<b>Dimensions</b>		
pitch	5.0mm(.197" )	
Poles	2P,3P-24P	

<b>Material</b>		
Housing	PA66,UL94V-0	
Screws	M2.5,steel, Cr <sup>3+</sup> Znplated	
Pin header	Brass,Tin plated	
Wire guard	Stainless steel	

### HOW TO ORDER :

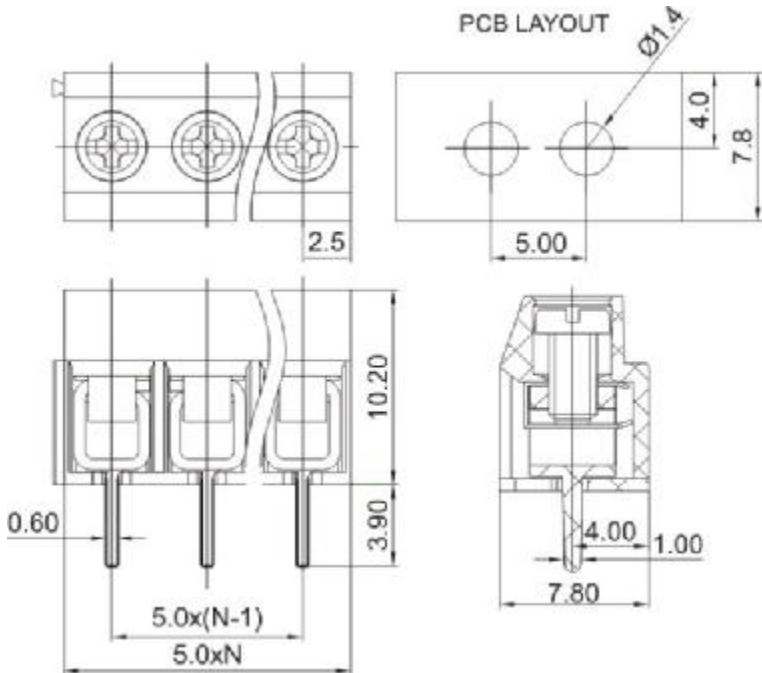
-  **P** -   - 

X	X	X
Customer Request		

**Series number**      **No. of pole**

1	Single pitch
2	Double pitch

Color					
1	Grey	4	Green	7	Trans Parent
2	Blue	5	Orange	8	Yellow
3	Black	6	Red	9	White



 mm (INCH)	 <b>DEGSON ELECTRONICS CO., LTD.</b>
 THROANGLE    PROJECTION	<b>NAME</b> <b>DG126-5.0</b>