

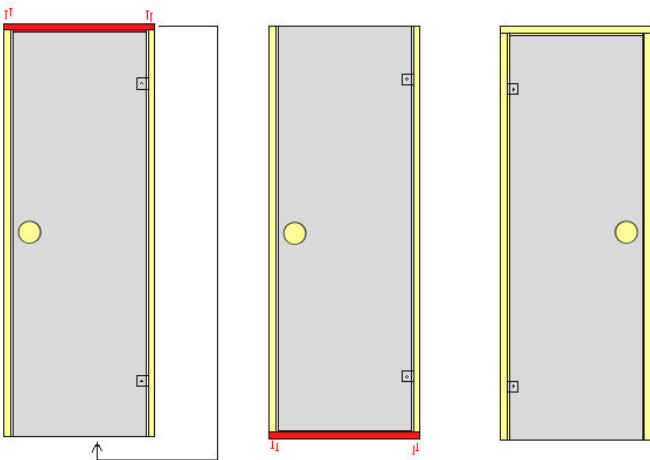
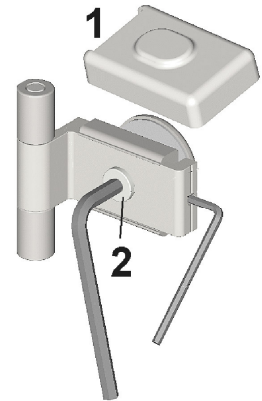
# INSTALLATION MANUAL STEAM SAUNA DOOR



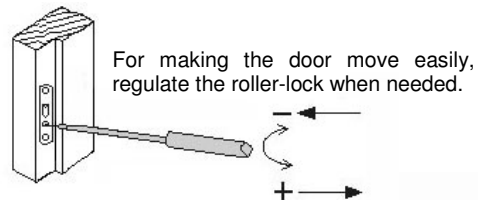
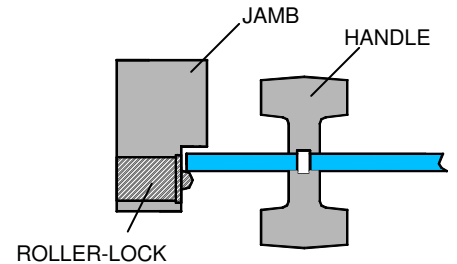
- Installation requires two persons.  
At no time should the edge of the glass touch a hard floor or wall surface.
- Handle the door with care. Before installation put planks or boards on the floor, on top of which the glass door can be temporarily lifted.
- If you have to store the door in its carton packaging, store it horizontally.

## PROCEDURE

1. Set the door up in a horizontal position on a flat base and open the package.
2. Remove the decorative plastic covers from the hinges (1).
3. Loosen the hexagonal screws on the door's hinge leaves (2) and screw off the other side of the hinge.
4. Remove the glass from the frame
5. Install the door frame according to the direction of opening that you desire.\*
6. Place the glass into the frame.
7. Tighten the hexagonal screws (2).
8. If the door requires adjustment, the hinges can be adjusted laterally.
9. Replace the decorative plastic covers (1).
10. Attach the handle in position.



\* If it is necessary to change hanging, move the top rail to the other end. Put the door on the floor, unscrew the upper horizontal detail's four screws, put the horizontal on the opposite side of the door and screw it back with the same four screws. Now it's ready.



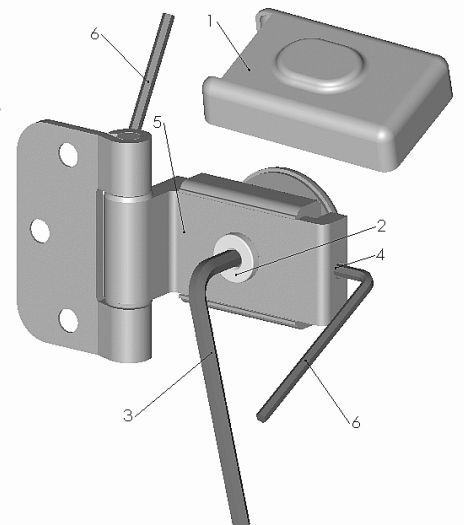
## ADJUSTING THE HINGES

You need 3 mm and 5 mm hexagon keys (not included in set).

- Loosen the fixing screws of the glass (2) with a hexagon key (3) by no more than one revolution.

### Hinge adjustment in the direction of the lock (gap on the hinge side increases)

- Lateral hinge adjustment is done using the hexagonal screws (4 and 5) on either side of the hinge. Turn the adjusting screws (4) on the lock side of the hinge anti-clockwise by the necessary amount.
- After that, lightly tighten the adjusting screw on one side towards the adjusting screw on the other side.
- Next tighten the fixing screw of the glass as tightly as possible.
- Finally, turn the side adjuster screw (5) as tightly as possible, and replace the decorative cover (1) on the hinge.



### Hinge adjustment away from the lock (gap on the hinge side decreases)

- If you wish to make the gap between the glass and the frame smaller, turn the side screw (5) anti-clockwise by the necessary amount, and then lightly tighten the opposite adjusting screw (4) towards adjusting screw (5).
- Tighten the fixing screw (2) as tightly as possible and replace the decorative cover (1).

The maximum adjustment range is 5 mm.

## MAINTENANCE OF THE DOOR

- Check fastenings of the roller-lock and hinges regularly. Fasten hinge bolts if necessary.
- Clean the door glass regularly using special glass cleaner. Try to avoid abrasive cleaners, which may cause damage to the glass surface.

