

Quick Reference

Scroll Compressors

SM - SY - SZ

R22 - R134a - R407C

50 Hz

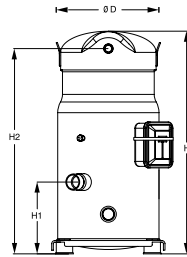


REFRIGERATION AND AIR CONDITIONING

Product range single compressor

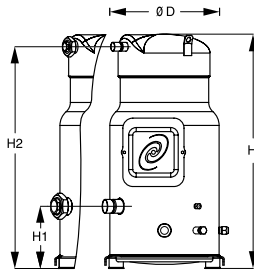
	D	H	H1	H2
S084 S090 S100	254	508	142	465
S110 S120	254	558	178	515
S148 S161	266	591	180	556

All dimensions in mm



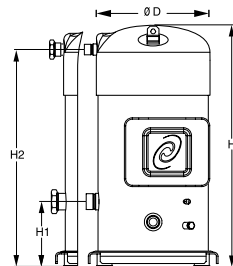
	D	H	H1	H2
S115 S125	254	586	180	538
S160	266	631	180	596
S175 S185	316	678	180	641

All dimensions in mm



	D	H	H1	H2
S240	344	729	196	656
S300	344	740	196	667

All dimensions in mm



Model	Nominal voltage				
	200-230/ 3/60	400/3/50 460/3/60	230/3/50	500/3/50 575/3/60	380/3/60
Model	Motor voltage code				
	3	4	6	7	9
SM / SZ 084	●	●	●	●	●
SM / SZ 090	●	●	●	●	●
SM / SZ 100	●	●	●	●	●
SM / SZ 110	●	●	●	●	●
SM / SZ 115	●●	●●	●●	●●	●●
SM / SZ 120	●	●	●	●	●
SM / SZ 125	●●	●●	●●	●●	●●
SM / SZ 148	●	●	●	●	●
SM / SZ 160	●●	●●	●●	●●	●●
SM / SZ 161	●	●	●	●	●
SM / SZ 175	●●	●●	●●	●●	●●
SM / SZ 185	●●	●●	●●	●●	●●
SY / SZ 240	●●	●●	●●	●●	●●
SY / SZ 300	●●	●●	●●	●●	●●

● Rotolock version - ● Brazed version

Family, lubricant & refrigerant	Nominal capacity	Voltage	Version	Packaging
S Z	1 8 5	- 4	R	I
S Y	3 0 0	A 9	A A	M

Family, lubricant & refrigerant
SM: Scroll, mineral oil, for R22
SY: Scroll, POE lubricant, for R22
SZ: Scroll, POE lubricant, for R407C - R134a

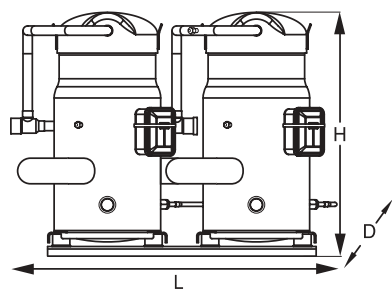
Nominal capacity
 Nominal capacity in thousand Btu/h at 60 Hz, R22, ARI conditions

Voltage
 Motor voltage code: Refer to above table

Packaging
I: Individual
M: Multiple

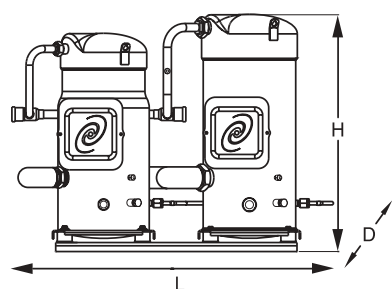
Motor protection type	Voltage		Version	Packaging	Applies to	
	V VA	V V				
Internal overload protector	V VA	V V	Brazed Brazed	A	Evolution index S 084 - 090 - 100 110 - 120 - 148 - 161	
Internal thermostat, external overload protector required	C CA	C C	Brazed Brazed	A	Evolution index S 115 - 125 - 160 175 - 185	
	R RA	R R	Rotolock Rotolock	A		
	Electronic protection module	AA AB	A A	Brazed Brazed		A B
	MA MB	M M	Rotolock Rotolock	A B	24V 115/230V	S 240 S 300

Product range tandem compressor



	L	D	H
S 170 - S 180 - S 200	757	423	532
S 220 - S 240	777	443	582
S 230 - S 250	836	480	603
S 320	911	480	657
S 296 - S 322	924	412	614
S 350 - S 370	1004	495	717

All dimensions in mm

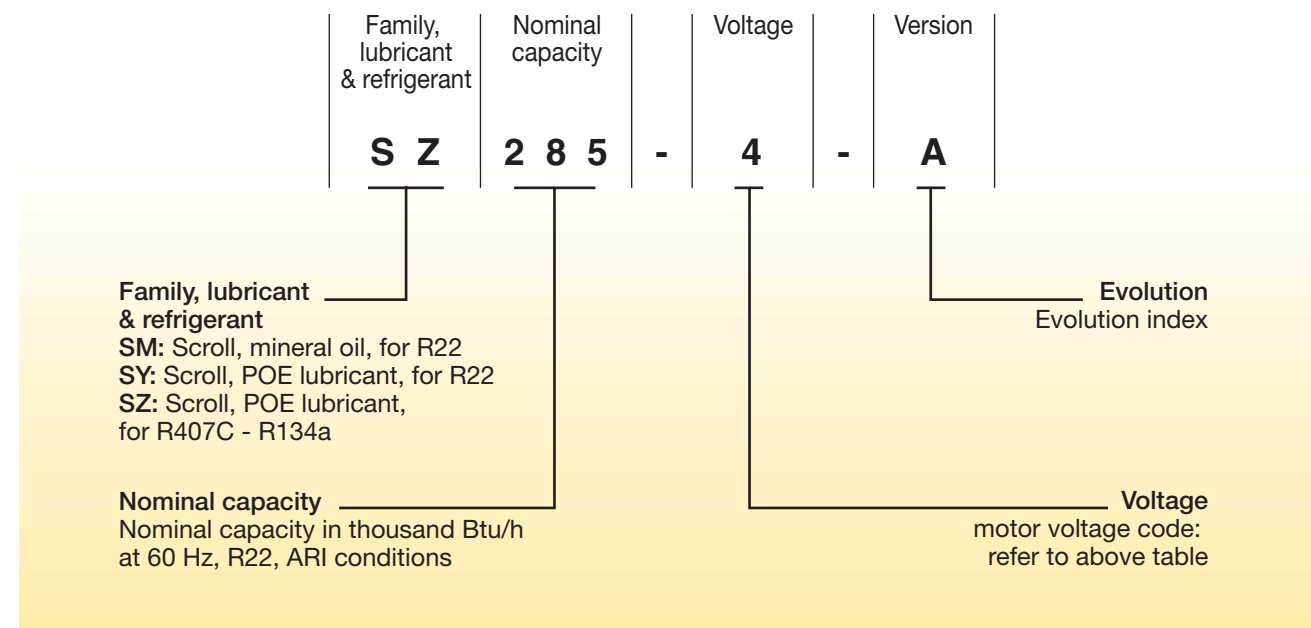


	L	D	H
S 285	884	480	657
S 290 - S 310	924	480	705

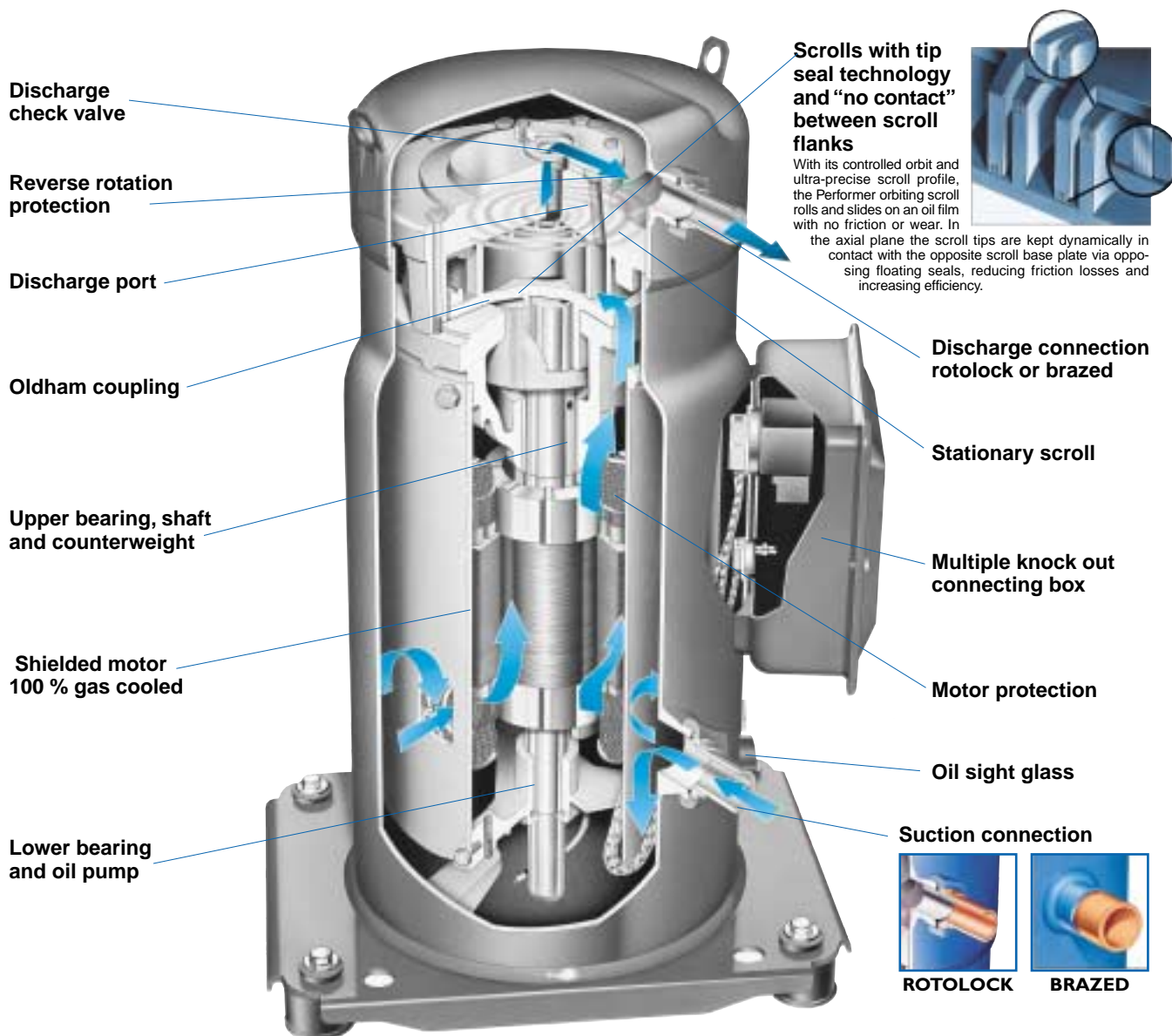
All dimensions in mm

Model	Composition	Nominal voltage				
		200-230/ 3/60	400/3/50 460/3/60	230/3/50	500/3/50 575/3/60	380/3/60
		Motor voltage code				
		3	4	6	7	9
SM / SZ 170	S084 + S084	●	●	●	●	●
SM / SZ 180	S090 + S090	●	●	●	●	●
SM / SZ 200	S100 + S100	●	●	●	●	●
SM / SZ 220	S110 + S110	●	●	●	●	●
SM / SZ 230	S115 + S115	●	●	●	●	●
SM / SZ 242	S120 + S120	●	●	●	●	●
SM / SZ 250	S125 + S125	●	●	●	●	●
SM / SZ 285	S160 + S125	●	●	●	●	●
SM / SZ 290	S175 + S115	●	●	●	●	●
SM / SZ 296	S148 + S148	●	●	●	●	●
SM / SZ 310	S185 + S125	●	●	●	●	●
SM / SZ 320	S160 + S160	●	●	●	●	●
SM / SZ 322	S161 + S161	●	●	●	●	●
SM / SZ 350	S175 + S175	●	●	●	●	●
SM / SZ 370	S185 + S185	●	●	●	●	●
SZ 425	S240 + S185	○	○	○	○	○
SY / SZ 482	S240 + S240	○	○	○	○	○
SZ 485	S300 + S185	○	○	○	○	○
SY / SZ 540	S300 + S240	○	○	○	○	○
SY / SZ 600	S300 + S300	○	○	○	○	○

● Factory built - ○ Field assembly

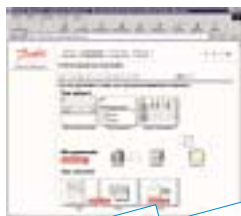


PERFORMER TECHNOLOGY



Further reference

For more exhaustive information on Performer Scroll compressors, please refer to the following documents:



Online Datasheet Generator

www.danfoss.com/odsg

A new tool, providing user-friendly access to full technical data, performance data and outline drawings for each individual compressor.



Selection and Application Guidelines for Performer single and tandem

Literature: GA 038 - 01/01 GB

With performance data, operating envelopes, outline drawings, electrical data, installation and application information for performer SM and SZ compressors.

Technology, Manufacturing and range description

Literature: CC 023 - 03/03 GB

Above documents and datasheet generator are available on the Danfoss Compressors internet website:
<http://cc.danfoss.com>

The Danfoss product range for the refrigeration and air conditioning industry:

Compressors for refrigeration and air conditioning

These products include hermetic reciprocating compressors, scroll compressors and fan-cooled condensing units. Typical applications are air conditioning units, water chillers and commercial refrigeration systems.



Compressors and Condensing Units

This part of the range includes hermetic compressors and fan-cooled condensing units for household refrigerators and freezers, and for commercial units such as bottle coolers and drinks dispensers. We also offer compressors for heat pumps, and 12 and 24 V compressors for refrigerators and freezers in commercial vehicles and boats.



Appliance Controls

Danfoss offers a range of customer-specific electromechanical thermostats for refrigerators and freezers, electronic temperature controls with or without display, and service thermostats for use when servicing refrigeration and freezing appliances.



Refrigeration and air conditioning controls

Our full product range covers all control, safety, system protection and monitoring requirements in mechanically and electronically controlled refrigeration and air conditioning systems. The products are used in countless applications within the commercial and industrial refrigeration and air conditioning sectors.



Danfoss can accept no responsibility for possible errors in catalogues, brochures and other printed material. Danfoss reserves the right to alter its products without notice. This also applies to products already on order provided that such alterations can be made without subsequent changes being necessary in specifications already agreed. All trademarks in this material are property of the respective companies. Danfoss and the Danfoss logotype are trademarks of Danfoss A/S. All rights reserved.

Danfoss Commercial Compressors

BP 331 F-01603 Trévoux France
Tel. 04 74 00 28 29 - (33) 4 74 00 28 29
Fax 04 74 00 52 44 - (33) 4 74 00 52 44
<http://cc.danfoss.com>