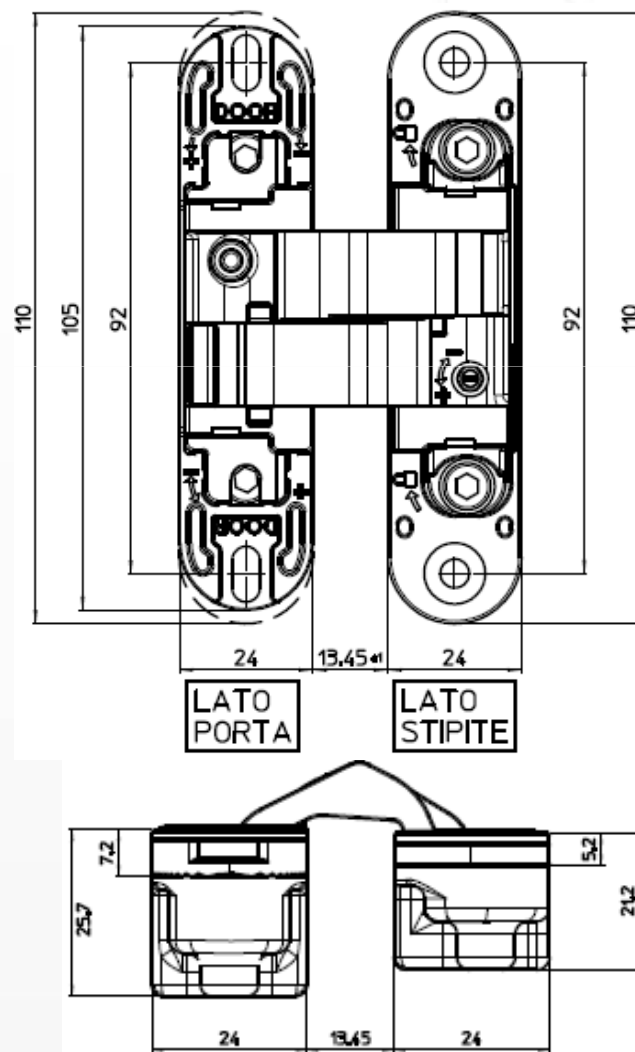
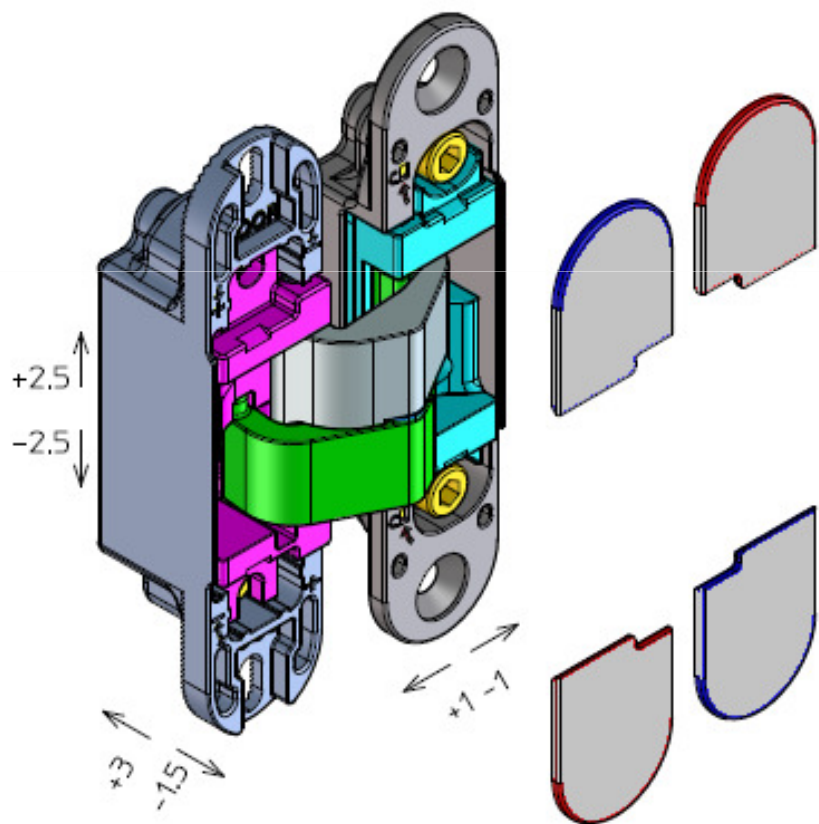
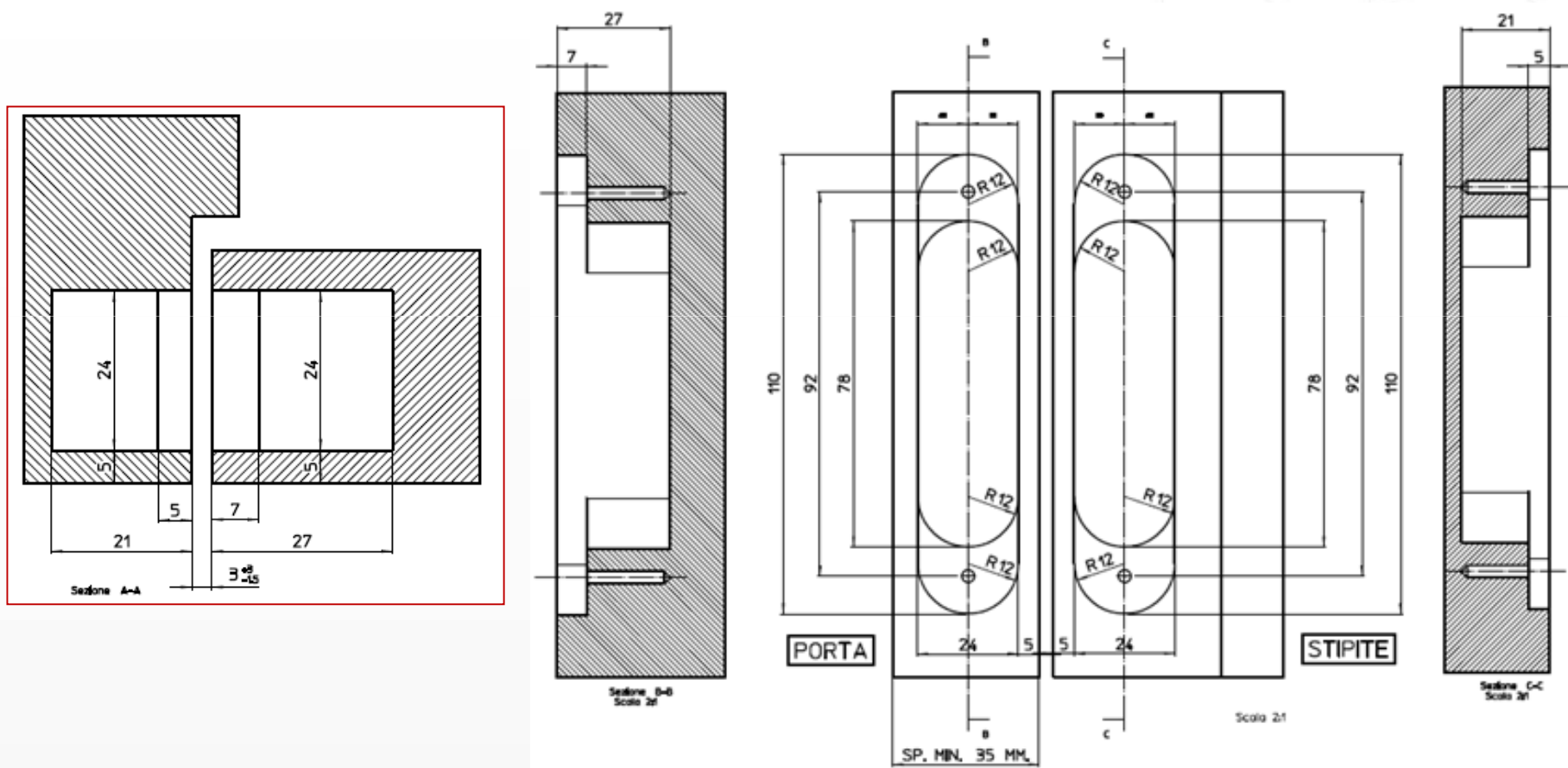


KOMBI 3



Features



Load capacity : 40Kg with n.2 hinges - 52Kg with n.3 hinges

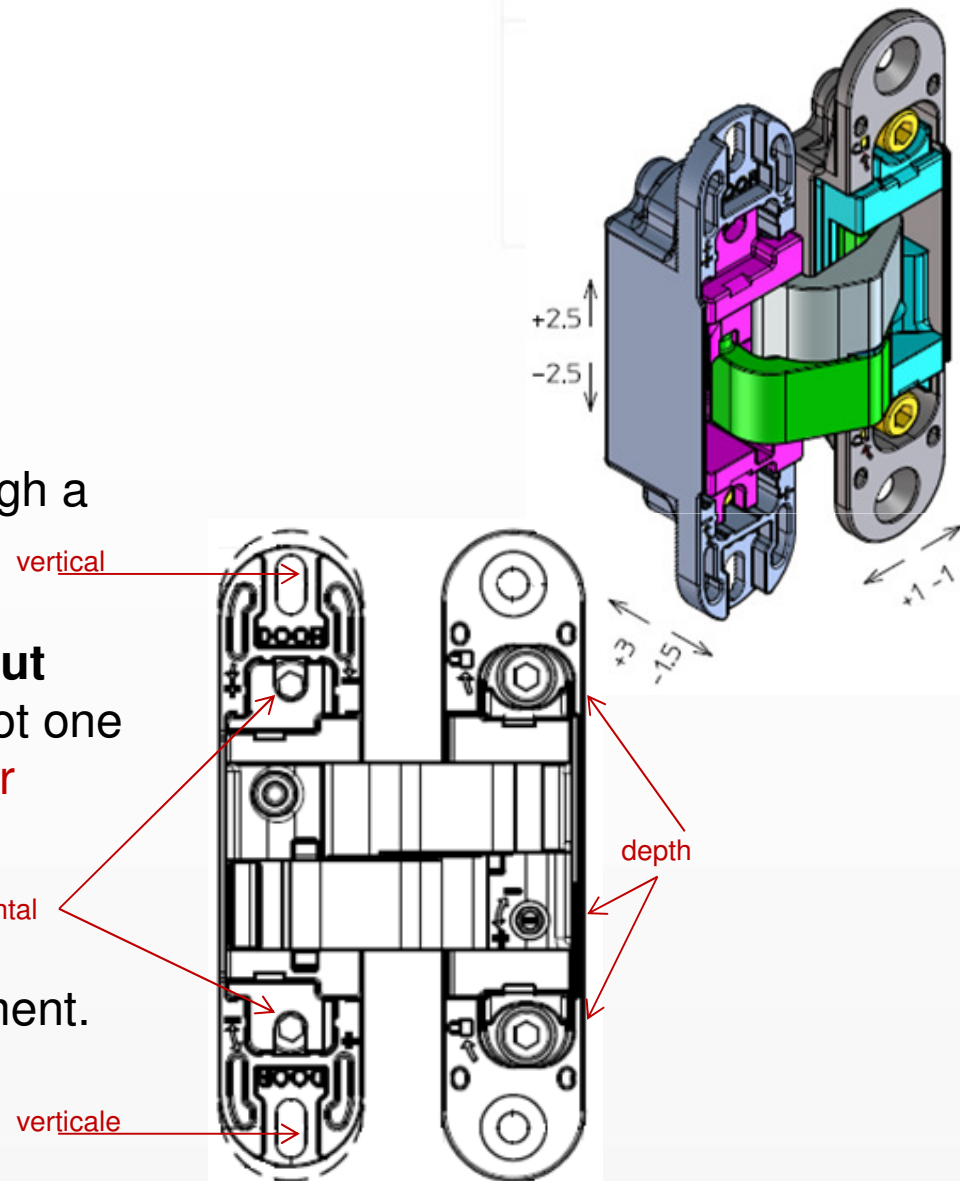
Features

3D Adjustments:

Vertical	: +2.5	-2.5	—
Horizontal	: +3	-1.5	—
Depth	: +1	-1	—

How to adjust:

- **Vertical adjustment** is manual through a wooden spacer under the leaf
- **Horizontal adjustment** is carried out through n.2 adjustment screws and not one as Anselmi hinge. This allows a **greater stability of the hinge**.
- **Depth adjustment** is carried out by unblocking n.2 screws and the adjustment.

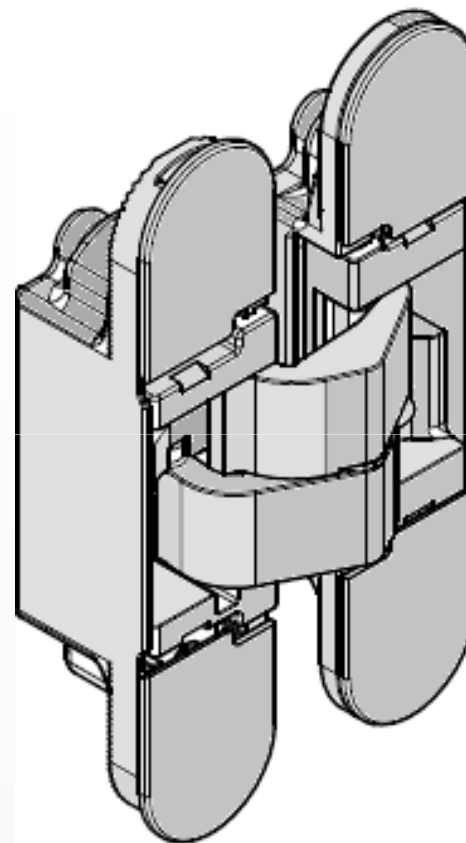


kombi – components

Construction features:

- Carcasses and connecting rods in zamak
- Painted rods
- Body in technopolymer
- Bushings in technopolymer
- Pins of steel
- Cover in ABS

Satin chrome and Satin nickel finishings



K 1000 CS DXSX

CERN.BASIC INV/REG.PORTA BATT. CRO SAT. DXSX

K 1000 NS DXSX

CERN.BASIC INV/REG.PORTA BATT. NIC SAT. DXSX